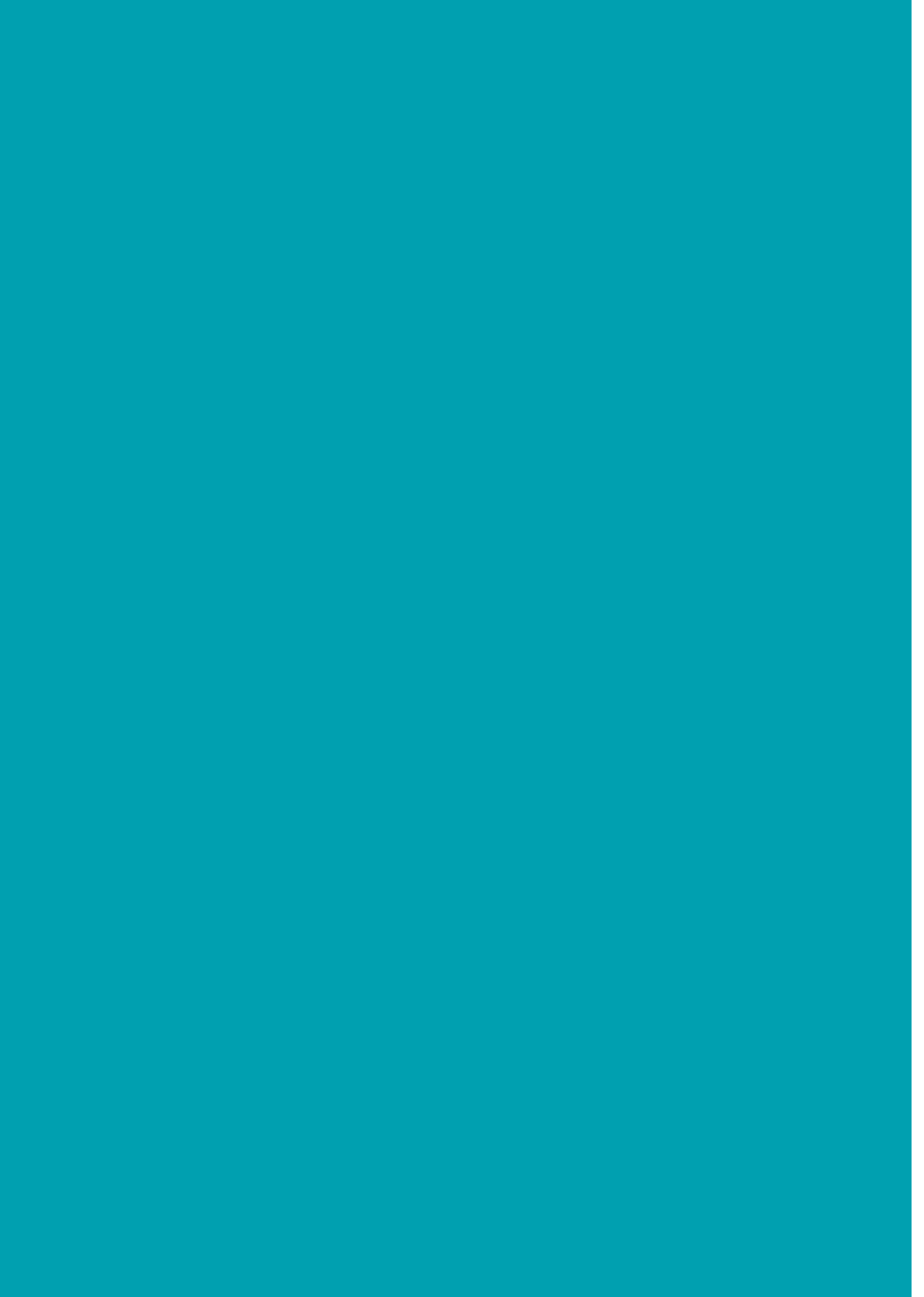




One Solution. One Company.

TOTAL SECURITY SOLUTIONS

Powered by **Direct IP™**

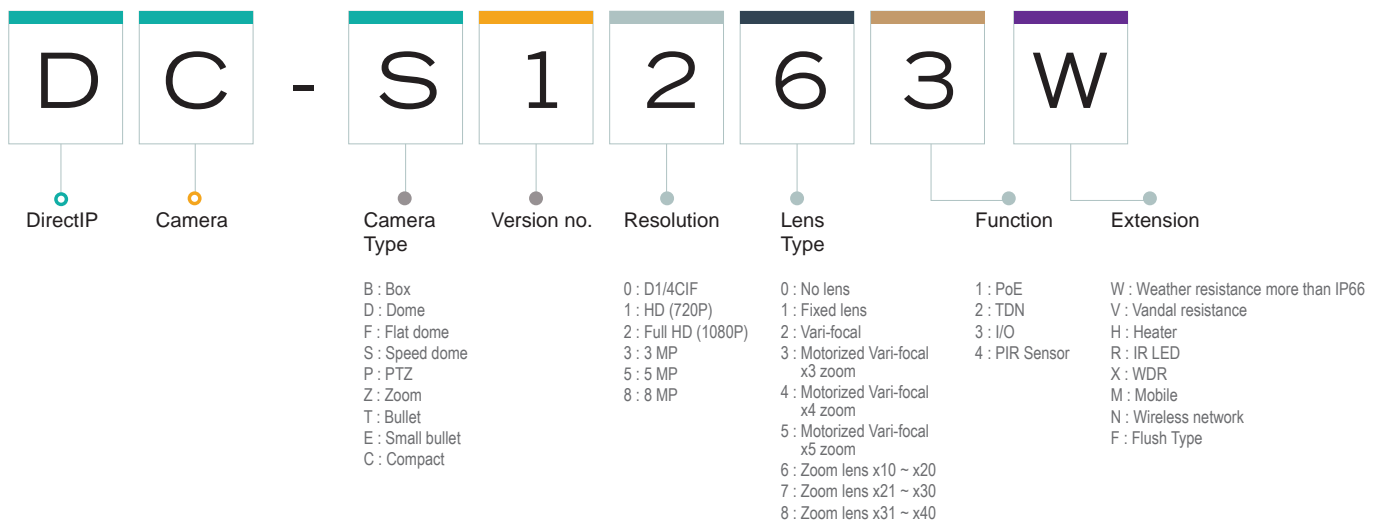


IDIS Naming Structure

IDIS NVR



IDIS CAMERA



Index

17

NETWORK VIDEO RECORDERS

DR-2104P	17
DR-2108P	18
DR-2116P	19
DR-2204P	20
DR-2208P	21
DR-2216P	22
DR-4108P	23
DR-4116P	24
DR-4132P	25
DR-4208P	26
DR-4216P	27
DR-6108P	28
DR-6116P	29
DR-6132P	30
DR-6216P	31
DR-6232P	32
DR-6216PS	33
DR-6232PS	34

36

NETWORK CAMERAS

BOX

DC-B1101	41
DC-B1103	42
DC-B1203	43
DC-B1203X	44
DC-B1303	45

DOME

DC-D1111	46
DC-D1122	47
DC-D1122R	48
DC-D1122W	49
DC-D1122WR	50

DOME

DC-D1123	51
DC-D1123R	52
DC-D1123W	53
DC-D1123WR	54
DC-D1212R	55
DC-D1223	56
DC-D1223R	57
DC-D1223W	58
DC-D1223WR	59
DC-D1223WHR	60
DC-D1223WX	61
DC-D1323R	62
DC-D1323WHR	63
DC-D2233	64
DC-D2233R	65
DC-D2233W	66
DC-D2233WR	67
DC-D2233WHR	68
DC-D1223F	69
DC-D1223FR	70
DC-F1111	71
DC-F1211	72

SPEED DOME

DC-S1163WH	73
DC-S1263WH	74
DC-S1263F	75

BULLET

DC-T1232WR	76
DC-T1233WHR	77
DC-T1234WR	78
DC-E1112WR	79
DC-E1212WR	80

ZOOM

DC-Z1163	81
DC-Z1263	82

84

NETWORK SOFTWARE

IDIS SOLUTION SUITE	86
IDIS CENTER	88
IDIS WEB	90
IDIS MOBILE	91

92

NETWORK ACCESSORIES

DE-1104 / 1108	94
DD-1116	95
DH-2010P / DH-2018P	96
DH-2112PF / 2128PF	97
NK-1100	98
DA-ES1104	99
DA-PI1101	100
DA-PR1101	101
DA-EC1101R/T	102
DA-BE1101	103
DA-MC1101	104
FTLF1318P3BTL	105
FTLF8519P3BNL	

102

CAMERA ACCESSORIES

WALL MOUNT

DA-WM2000	102
DA-WM2100	
DA-WM1400	
DA-WM1500	

POLE MOUNT

DA-LM2000	102
DA-LM1100	

ADAPTOR PLATE

DA-BM1100	102
DA-AP2000	

CEILING MOUNT

DA-CM1300	103
DA-CM2000	

CORNER MOUNT

DA-RM2000	103
DA-RM1100	

SUN SHILED

DA-DH1100	103
-----------	-----

JUNCTION BOX

DA-JB2000	103
-----------	-----

BOX HOUSING

DA-BH1100	103
-----------	-----

FLUSH MOUNT

DA-FM1200	103
-----------	-----

106

SOLUTION GUIDE

OFFICE BUILDINGS	108
UNIVERSITIES	110
BANKS	112
MANUFACTURING PLANTS	114
HOSPITALS	116
AIRPORTS	118
SUPERMARKETS	120

122

APPLICATIONS

SMALL BUSINESS INSTALLATION	122
MEDIUM BUSINESS INSTALLATION	
LARGE BUSINESS INSTALLATION	
DR-6100 SERIES NVR CONNECTION	123
DIAGRAM	
CONTROL CENTRE INATALLATION	





The Vision to Excel

IDIS is an established global security solutions company which designs, develops, manufactures and markets security surveillance solutions. Since 1997 we have grown to become the world's No.1 DVR manufacturer with an annual turnover of \$140 million with more than 1.7 million DVRs installed through our global top tier partners.

Our aim is to be the world's leading provider and partner of choice for surveillance solutions that protect people, property and assets through innovation and cost-effective technology coupled with unrivalled performance, quality and functionality.



THE CORE STRENGTH AND VALUES OF THE COMPANY ARE:

Innovation



IDIS is a pioneer in the video surveillance market. Our history demonstrates our ability to turn innovation into practical applications. We are at the very frontier of industry technology. IDIS has developed over 100 different products to date and has 50 core patented technologies.

Credibility



IDIS is a recognised expert in the security industry, and we have quickly established ourselves as world-class solution provider. We are proud to be at the forefront of the industry. Our growth ambitions remain on track underpinned by our significant resources and financial stability.

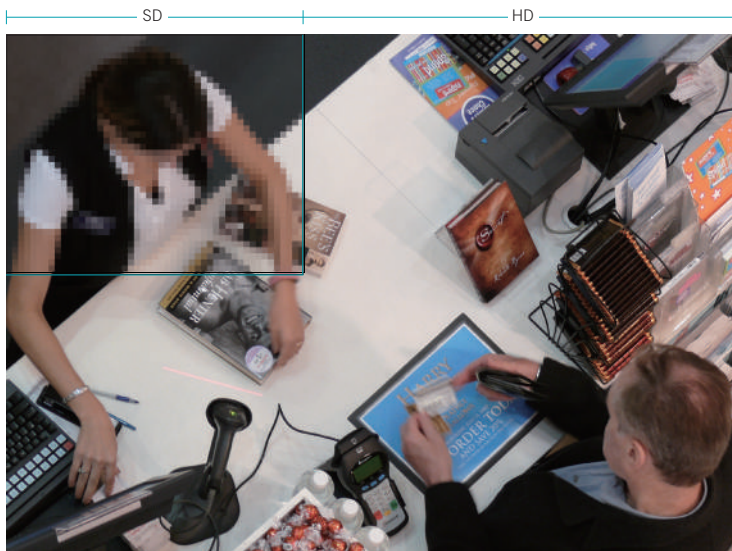
Sustainable Growth



At IDIS we have built a reputation of trust with partners, suppliers and customers. Since the company was established, IDIS has built strong and proactive relationships. We value the contribution of our staff, suppliers, partners, direct customers and even competitors in shaping the future of the security industry.

Direct IP™

Increasing demand for HD surveillance



In the past there has been market reluctance to adapt to IP-based surveillance systems, often because they are perceived as being more complicated than conventional analogue solutions.

The analogue surveillance market has been developed to embrace digital video technology over a number of years primarily by using analogue cameras, supported by digital video recorders (DVRs). However, the demand for HD resolution continues to grow and is quickly becoming the norm for many security conscious businesses.

IP based security systems provide higher image quality than DVRs, as a network video recorder (NVR) does not need to compress incoming video sources (as this is supplied by the cameras). However this function alone will not fulfill the end users' expectation.

Challenges of affordability, performance, integration and compatibility are inherent to the market place, with many traditional IP based security systems being very complex to install, especially when communicating with multiple sensors, audio devices and ATM/POS devices.

DirectIP™
relieves those complexities



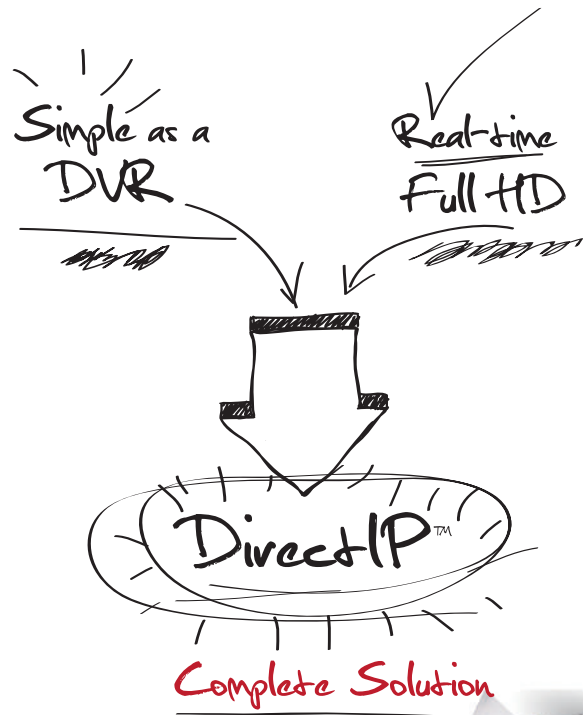
The simple and the most complete HD surveillance solution

Direct IP™

IDIS is a company that has been primarily responsible for the innovation of DVRs since 1997 and now IDIS is proud to introduce the next generation of HD surveillance solutions called DirectIP™ solutions. Unique to the industry, DirectIP™ is the easiest and the most complete HD surveillance solution available to the security market.

The primary goal of DirectIP™ technology is to provide customers with an HD surveillance solution which is easy to use, simple to install and quick to configure through 'plug-and-play' capability. DirectIP™ consists of IP cameras, NVRs and VMS software, all designed to be optimised within a network.

DirectIP™ allows real-time monitoring without any degradation of image quality whilst simultaneously recording within networks. DirectIP™ is exclusive to the industry and ensures genuine compatibility, integration and functionality as a complete one stop shop solution.



Direct IP™ Technology

ONVIF full member

DirectIP is a networked HD video surveillance solution with NVRs similar to traditional DVR. DirectIP defines a set of protocols and operations among DirectIP devices as well as a set of methods to connect to DirectIP devices.

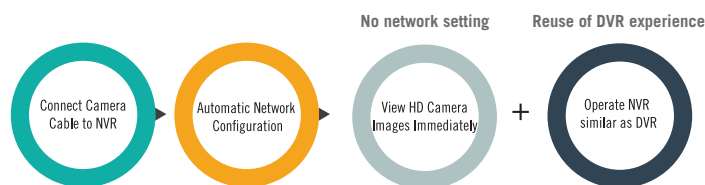


IP without the PC

DirectIP's "IP without the PC" concept permits simple installation and configuration and allowing instant streaming once connected. Once connected to network keyboard and mouse, DirectIP NVR can setup and handle DirectIP cameras without any PC.

Zero configuration (Plug & Play)

DirectIP enables true plug and play installation which eliminates the need for costly installation and integration support. DirectIP enables true plug and play installation with IDIS's proprietary, automated set of protocols including AutoIP, Multicast DNS and DNS Service Directory techniques.



Real time live monitoring and recording with Full HD resolution

DirectIP™ network solutions generate excellent network throughput, which can subsequently maintain stable HD quality video regardless of external network traffic. NVRs can support real-time surveillance and deliver enhanced features such as smart search and event management.

IDIS DirectIP™ solutions can record in HD (or higher) from multiple mega pixel cameras direct to the NVR in real-time without degradation of quality, access or system stability.

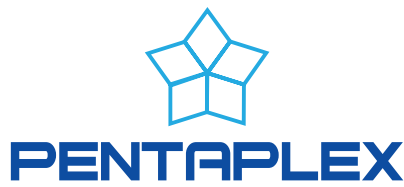
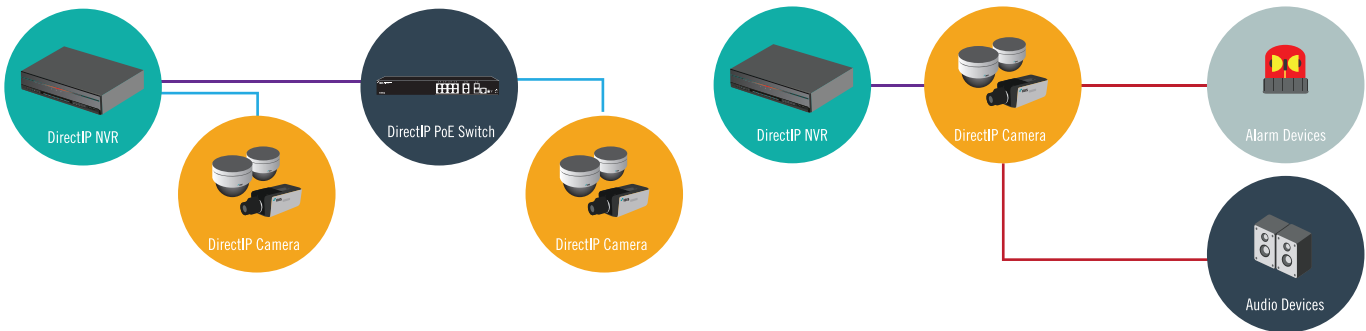


Multiple independent video streams

DirectIP™ enables independent live monitoring, recording and remote monitoring. Multiple independent video streams from cameras to NVRs allow local surveillance and recording, with added smart features to control resolution, quality and bit rate independently.

Easy Installation

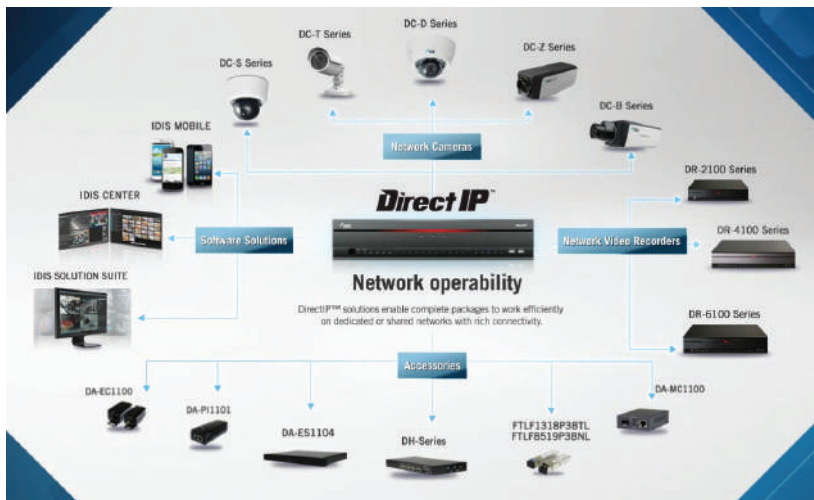
DirectIP supports PoE cameras and powers them through the data cable line, removing the need for additional external cabling. In addition, DirectIP provides simple audio and alarm input/output systems using a DirectIP camera with audio I/O and alarm I/O ports.



Pentaplex processing

IDIS DirectIP NVRs can readily perform five operational processes simultaneously:

- Live-view
- Record
- Playback
- Remote access
- Backup of recorded audio / video



Complete video surveillance solutions suitable for wide range of applications

DirectIP enables complete packages to work efficiently on dedicated or shared networks with rich connectivity. These complete packages meet the demands of user applications from a single location to more complex multi-site locations.

Especially, IDIS VMS solutions provide unparalleled flexibility, control and security with its intuitively designed GUI. Combined with web client and mobile apps, IDIS provides complete VMS solutions with remote connectivity.

Compatibility and Integration

IDIS Solution Suite, IDIS's versatile VMS (Video Management Software), allows user to manage integrated security from both an NVR-based network security and existing DVR-based systems.

DirectIP is the best environmental interface for integration with existing sensors, audio, ATM/POS, storage devices, video sources and recorders. In addition, DirectIP supports models of some third parties and ONVIF cameras even if performance and functions are limited.



NETWORK VIDEO RECORDERS





High performance and reliability

simply the best performance for your IP surveillance

Full mega-pixel IP camera support with efficient data processing and a high hardware specification ensure a smoother operation that guarantees the best performance of your IP solution. With DirectIP™ NVRs the hardware is fully optimised for the stable performance of network devices, so you can realise a real-time live viewing and real-time recording network surveillance solution. DirectIP™ NVRs allow simultaneous functionality and operation including live-view, record, playback, remote access and backup of compressed audio and video.

IDIS NVR Technologies

Zero Configuration (Plug & Play)

DirectIP NVR packs an array of advanced network technology which provides industry's unique, true plug and play installation which eliminates the need for costly installation and integration support.

DirectIP Protocols

DirectIP NVRs provide true plug and play installation with IDIS's proprietary, automated set of protocols including AutoIP, Multicast DNS and DNS Service Directory techniques.

FEN (For Every Network)

IDIS FEN is an automated network configuration service which simplifies installation of networked surveillance systems. FEN enables users to set up and configure surveillance systems without knowledge of Network Address Translation routers on the network and their configurations. It ensures connections between video surveillance devices regardless of network environment.

IP without the PC

DirectIP's "IP without the PC" concept permits simple installation and configuration and allowing instant streaming once connected. Once connected to network keyboard and mouse, DirectIP NVR can handle device configuration, digital video matrix, and video wall display without any PC. Furthermore, DirectIP only allows minimal delay of about 300ms which is similar level to that of HD-SDI solutions and outpaces most IP surveillance solutions in the market.

Full HD Real-time Monitoring & Recording

DirectIP network solutions yields greater network throughput. Combined with IDIS's unique multi-streaming technology, DirectIP provides the highest quality of full-HD video surveillance regardless external network traffic.

Quadruple Video Streams

DirectIP features quadruple stream technology to enhance its live monitoring quality. By allowing 2 separate streams for live monitoring (i.e. Live 1 for full screen and 2x2; Live 2 for 3x3, 4x4 and 6x6), DirectIP provides unrivalled quality of live monitoring that no other IP surveillance solution offers.

Enhanced Data Security

DirectIP features powerful data security technologies to effectively protect video data from possible fraud, damage and modification attempts while on recording as well as on transmitting process.

Chained Fingerprint Technique

Chained fingerprinting allows effective tracking of data forgery by marking fingerprints on multimedia(video/audio) data on recording. By matching fingerprints from original records, administrators can easily trace and found partially deleted/forged data.

iBank

iBank is IDIS's proprietary multimedia file system and database architecture. Featuring latest version of iBank file system, DirectIP NVRs provide effective and robust data recording, searching and management as below.

- Restore and restructure the damaged area that contains index information
- Improve multi-channel video recording and searching performance
- Effective text searching function

Automated Time Sync

DirectIP NVR provides automated time synchronization with its connected IP cameras using IDIS's own Tick Sync technology. Upon connection, DirectIP NVR automatically calculates time difference between multiple cameras and servers and adjusts time information of recorded video into single, standard time.

Non-linear Time Shifting Recording (NLTSR)

With the non-linear time shifting recording technique, DirectIP NVRs guarantees seamless video recording even under unstable network conditions. When network fails, up to several minutes of video data will be instantly stored in IP camera's internal buffer memory then automatically transferred to NVR after network recovery.

Overlapped Recording Search

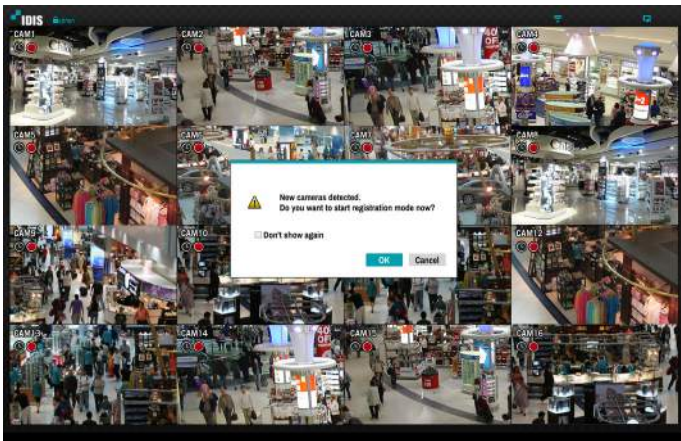
When a user changes NVR system time to the past point, video data for the overlapped time period is to be recorded in different segments. This enables video data for the overlapped time to be searched in different time set and prevents any possible loss of video data or discrepancy on time-based search.

PoE (Power over Ethernet)

DirectIP NVRs support seamless power supply over Ethernet cable without any degrading network performance and reach. Combined with DirectIP's 'true plug and play' feature, PoE enables instant identification and activation of IP cameras upon their physical connection. All DirectIP NVRs compliance both IEEE802.3af and IEEE802.3at standard which makes them capable of powering most IP cameras as well as high power-consuming devices such as PTZ domes.

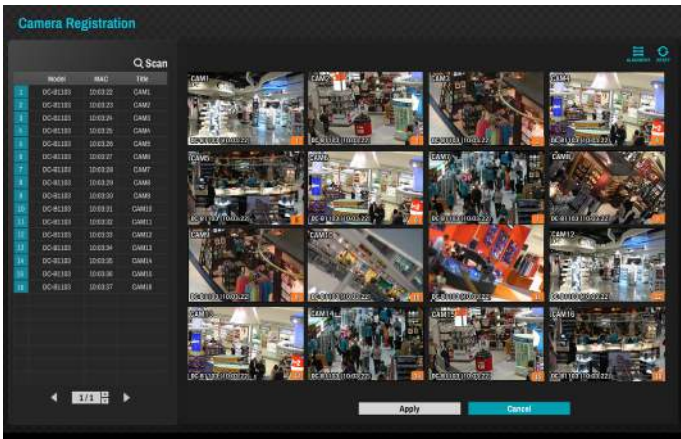
Easy firmware update

User can easily update DirectIP NVR and camera's firmware locally or remotely. Using USB memory stick which has new firmware, user can update DirectIP NVR and camera's firmware via DirectIP NVR without any PC. In addition, DirectIP NVR and camera's firmware can be updated remotely using IDIS Center on Windows PC.

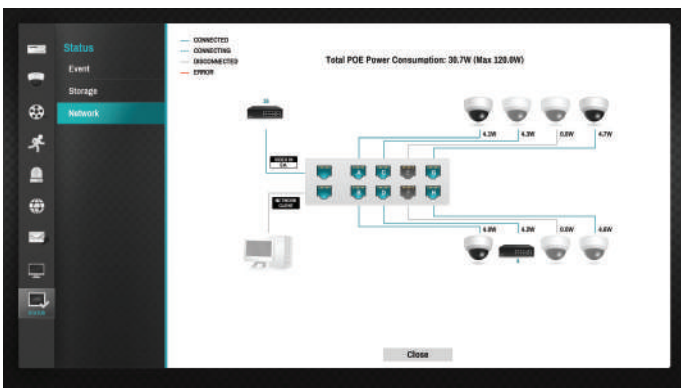


CAMERA Registration Mode

A message will appear while in Live mode when a new camera is detected. Select OK to enter Camera Registration Mode.



As DirectIP Camera is detected automatically, it is able to register to NVR in Camera Register Mode. Even if Network Camera does not set IP address, connecting to Video in port of NVR is possible to scan and register to NVR. You can scan, search and register cameras that were not detected automatically or third party cameras.



Network Status Information

Network Status window provides a complete overview of the network status in real-time.









Network status shows the camera connection status, LAN port link status, power consumption, number of connected clients and network connection info.

Camera Connection	indicates the camera is connected. indicates the camera is not connected.
Network Switch	indicates a network switch is connected to the LAN port and shows how many cameras are connected.
LAN Port Link	indicates a camera or a network switch is connected. indicates neither is connected.
Power Consumption	If receiving power from the NVR, the actual amount of power consumed by each camera is indicated under each camera icon. Total power consumption is shown at the top of the screen in the following format: [Total POE power Consumption: 30.7W(Max 120.0W)] Ports A through H in PoE-enabled products support PoE. (VIDEO IN Ext.) and (NETWORK CLIENT) ports do not support PoE.
Number of Connected Clients	Indicates whether there are clients connected to the NVR via an external network and how many clients are connected. indicates at least one client is connected. indicates no client is connected.
Network Connection Info	Indicates network connection statuses (connected, connecting, disconnected, and connection error) using following lines: CONNECTED CONNECTING DISCONNECTED ERROR



NETWORK VIDEO RECORDERS

NVR SELECTION

MODEL		Max.Throughput			Video Inputs	Network port		Max.HDD		RAID TYPE	Camera Power
		incoming	Recording	Live		Client	Video In	SATA	eSATA		
DR-2104P		84Mbps	32Mbps 120ips@Full HD	120ips	4CH IP	1	4	2	-	-	4CH
DR-2108P		116Mbps	64Mbps 240ips@Full HD	240ips	8CH IP	1	8+1	2	-	-	8CH
DR-2116P		116Mbps	64Mbps 240ips@Full HD	240ips	16CH IP	1	8+1	2	-	-	8CH
DR-2204P NEW		84Mbps	32Mbps 120ips@Full HD	120ips	4CH IP	1	4	2	1	-	4CH
DR-2208P NEW		116Mbps	64Mbps 240ips@Full HD	240ips	8CH IP	1	8+1	2	1	-	8CH
DR-2216P NEW		116Mbps	64Mbps 240ips@Full HD	240ips	16CH IP	1	8+1	2	1	-	8CH
DR-4108P		150Mbps	80Mbps 240ips@Full HD	240ips	8CH IP	1	8+1	4	2	-	8CH
DR-4116P		200Mbps	130Mbps 480ips@HD	480ips	16CH IP	1	8+1	4	2	-	8CH
DR-4132P		230Mbps	160Mbps 480ips@HD	480ips	32CH IP	1	8+1	4	2	-	8CH
DR-4208P NEW		170Mbps	80Mbps 240ips@Full HD	240ips	8CH IP	1	8+1	4	2	0,1 1+0	8CH
DR-4216P NEW		220Mbps	130Mbps 480ips@HD	480ips	16CH IP	1	8+1	4	2	0,1 1+0	8CH
DR-6108P		150Mbps	80Mbps 240ips@Full HD	240ips	8CH IP	1	8+1	6	4	-	8CH
DR-6116P		230Mbps	160Mbps 480ips@Full HD	480ips	16CH IP	1	8+1	6	4	-	8CH
DR-6132P		300Mbps	230Mbps 480ips@Full HD	480ips	32CH IP	1	8+1	6	4	-	8CH
DR-6216P NEW		250Mbps	160Mbps 480ips@Full HD	480ips	16CH IP	1	8+1	6	4	0,1 1+0	8CH
DR-6232P NEW		320Mbps	230Mbps 480ips@Full HD	480ips	32CH IP	1	8+1	6	4	0,1 1+0	8CH
DR-6216PS NEW		250Mbps	160Mbps 480ips@Full HD	480ips	16CH IP	1	16+1	6	4	0,1 1+0	16CH
DR-6232PS NEW		320Mbps	230Mbps 480ips@Full HD	480ips	32CH IP	1	16+1	6	4	0,1 1+0	16CH

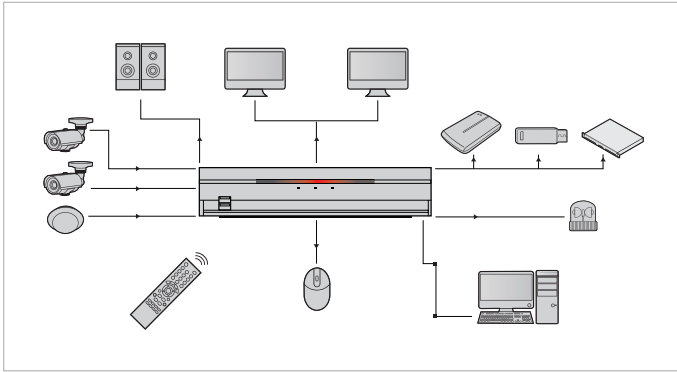
DR-2104P



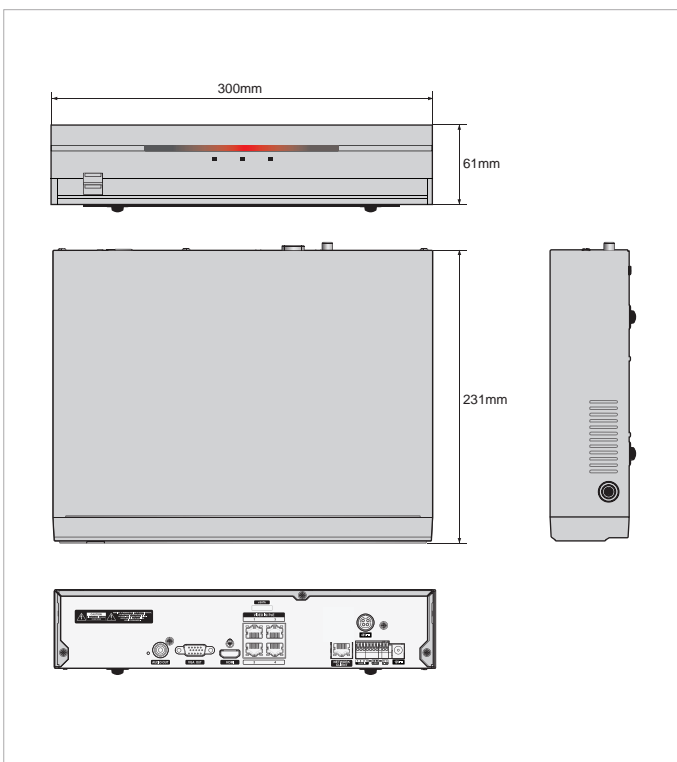
KEY FEATURES

- Total Incoming throughput 84Mbps
- Up to 120ips Full HD real-time recording
- Up to 120ips live display
- Easy to install, set-up and play with DirectIP™ cameras
- Built-in 4 Channel PoE Switch
- Expandable up to 6TB
- Supports one click network configuration through FEN Service
- Supports third party cameras (Axis, Panasonic, ONVIF™)

CONNECTION DIAGRAM



DIMENSIONS



SPECIFICATIONS

VIDEO	
Video Inputs	4 IP cameras
Max. Incoming Throughput	84Mbps
Supports Camera	DirectIP™, Axis, Panasonic, ONVIF™
Video Outputs	1 HDMI, 1 VGA OUT
Display Resolutions	1920 x 1200 , 1920 x 1080, 1680 x 1050, 1600 x 1200
Display Speed	Up to 120ips
Digital Zoom	x2 ~ x12
RECORDING	
Max. Throughput	32Mbps, 120ips@Full HD
Recording Resolutions	Up to 3MP (Depending on IP Camera)
Compression	H.264
Recording Modes	Time-Lapse, Event, Pre-event, Panic
Trigger Events	Alarm in, Audio detection, Motion detection, Trip-zone Tampering, Video loss
PLAYBACK	
Performance	4 Channel HD synchronous playback
Search Modes	Time-lapse, Event log, Motion, Text-in
Digital Zoom	x2 ~ x12
STORAGE	
HDD	SATA x2 (Up to 3TB capacity for each disk)
Total Capacity	6TB=3TB x 2 (Internal)
NETWORK	
Client Connection	Gigabit Ethernet (Client) x1
Video in Connection	Fast Ethernet (IP Camera) x4
Transmission Speed	20Mbps
Camera Power	PoE (IEEE 802.3at supported) 4 ports, 50W
Remote Data Export	IDIS player, AVI, JPG
Event Notification	Email (attach clip (.cbf) .MP4), Callback to Remote S/W, Push notification (IDIS Mobile), SNS (Twitter)
Two-way Audio	IDIS Center – DC Series
Client Viewer	IDIS Center, IDIS Mobile, IDIS Web
INTERFACE	
Audio In / Out	Local (NVR) : - / 1RCA + 1HDMI IP Camera : 4 / 4 (Depending on IP Camera)
Alarm In / Out	Local (NVR) : 4 / 1 IP Camera : 4 / 4 (Depending on IP Camera)
Alarm Reset In	-
Serial Interface	RS232 (Terminal block)
USB	USB 2.0 x 2
User Interface	Mouse, IR remote control, Network remote keyboard
GENERAL	
Operating System	Embedded Linux
UNIT Dimensions (W x H x D)	300mm x 61mm x 231mm
Unit Weight	2.6kg (with 1 HDD)
Shipping Dimensions (W x H x D)	360mm x 113mm x 390mm
Shipping Weight	3.9kg (with 1 HDD)
Working Temperature	5°C ~ 40°C
Operating Humidity	0% ~ 90%
Power Input	DC12V 2.0A (For NVR), DC48V 1.0A (For PSE)
Power Consumption	Max. 24W (For NVR), Max. 48W (For PSE)
Approvals	FCC, CE, KC

OPTIONAL ACCESSORIES



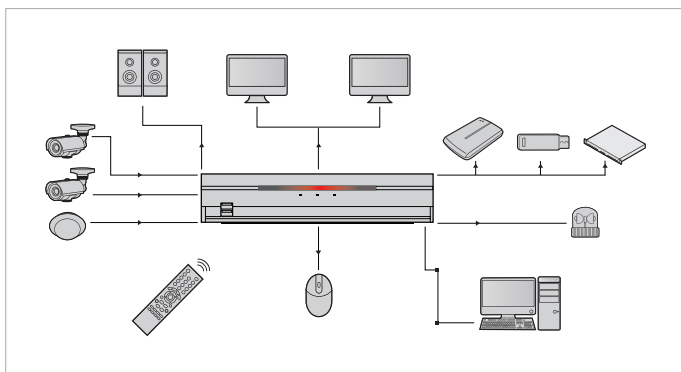
DR-2108P



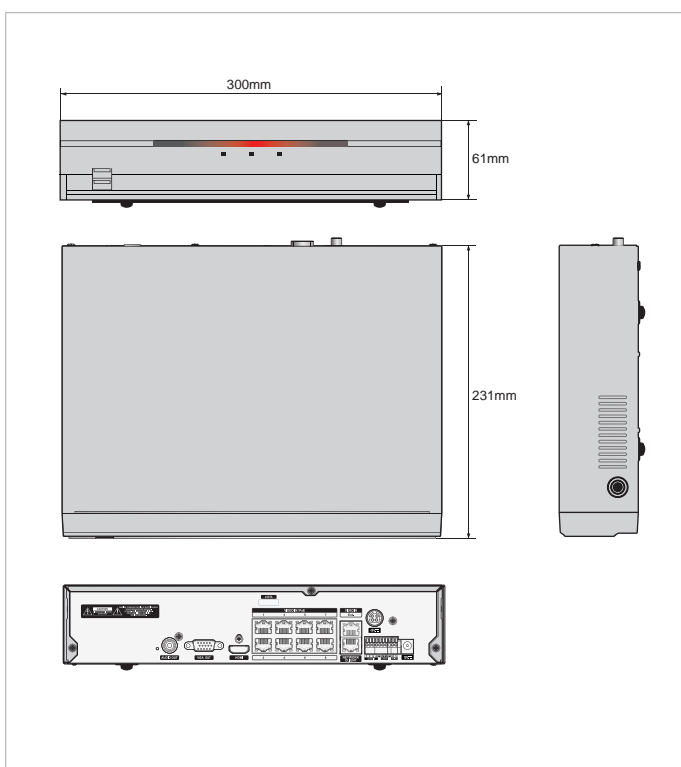
KEY FEATURES

- Total incoming throughput 116Mbps
- Up to 240ips Full HD real-time recording
- Up to 240ips live display
- Easy to install, set-up and play with DirectIP™ cameras
- Built-in 8 Channel PoE Switch
- Expandable up to 6TB
- Supports one click network configuration through FEN Service
- Supports third party cameras (Axis, Panasonic, ONVIF™)

CONNECTION DIAGRAM



DIMENSIONS



SPECIFICATIONS

VIDEO	
Video Inputs	8 IP cameras
Max. Incoming Throughput	116Mbps
Supports Camera	DirectIP™, Axis, Panasonic, ONVIF™
Video Outputs	1 HDMI, 1 VGA OUT
Display Resolutions	1920 x 1200 , 1920 x 1080, 1680 x 1050, 1600 x 1200
Display Speed	Up to 240ips
Digital Zoom	x2 ~ x12
RECORDING	
Max. Throughput	64Mbps, 240ips@Full HD
Recording Resolutions	Up to 3MP (Depending on IP Camera)
Compression	H.264
Recording Modes	Time-Lapse, Event, Pre-event, Panic
Trigger Events	Alarm in, Audio detection, Motion detection, Trip-zone Tampering, Video loss
PLAYBACK	
Performance	4 Channel HD synchronous playback
Search Modes	Time-lapse, Event log, Motion, Text-in
Digital Zoom	x2 ~ x12
STORAGE	
HDD	SATA x2 (Up to 3TB capacity for each disk)
Total Capacity	6TB=3TB x 2 (Internal)
NETWORK	
Client Connection	Gigabit Ethernet (Client) x1
Video in Connection	Fast Ethernet (IP Camera) x8 +Gigabit Ethernet (Ext) x1
Transmission Speed	20Mbps
Camera Power	PoE (IEEE 802.3at supported) 8 ports, 50W
Remote Data Export	IDIS player, AVI, JPG
Event Notification	Email (attach clip (.cbf) .MP4), Callback to Remote S/W Push notification (IDIS Mobile), SNS (Twitter)
Two-way Audio	IDIS Center ~ DC Series
Client Viewer	IDIS Center, IDIS Mobile, IDIS Web
INTERFACE	
Audio In / Out	Local (NVR) : - / 1RCA + 1HDMI IP Camera : 8 / 8 (Depending on IP Camera)
Alarm In / Out	Local (NVR) : 4 / 1 IP Camera : 8 / 8 (Depending on IP Camera)
Alarm Reset In	-
Serial Interface	RS232 (Terminal block)
USB	USB 2.0 x 2
User Interface	Mouse, IR remote control, Network remote keyboard
GENERAL	
Operating System	Embedded Linux
UNIT Dimensions (W x H x D)	300mm x 61mm x 231mm
Unit Weight	2.6kg (with 1 HDD)
Shipping Dimensions (W x H x D)	460mm x 113mm x 390mm
Shipping Weight	3.9kg (with 1 HDD)
Working Temperature	5°C ~ 40°C
Operating Humidity	0% ~ 90%
Power Input	DC12V 2.0A (For NVR), DC48V 1.0A (For PSE)
Power Consumption	Max. 24W (For NVR), Max. 48W (For PSE)
Approvals	FCC, CE, KC

OPTIONAL ACCESSORIES



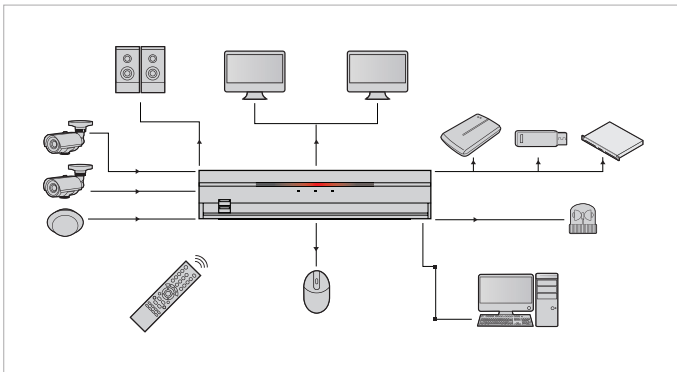
DR-2116P



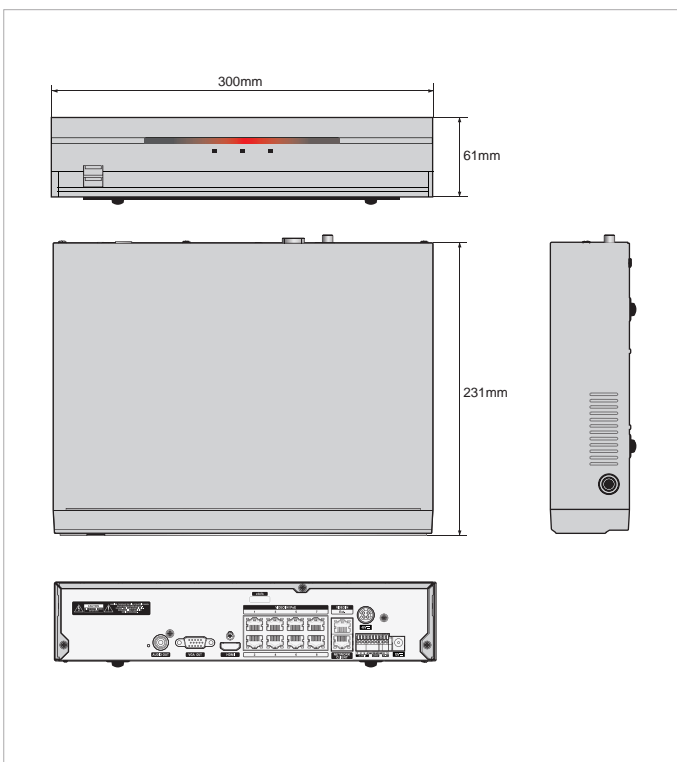
KEY FEATURES

- Total incoming throughput 116Mbps
- Up to 240ips Full HD real-time recording
- Up to 240ips live display
- Easy to install, set-up and play with DirectIP™ cameras
- Built-in 8 Channel PoE Switch and expandable up to 16 Channel using DirectIP™ Gigabit PoE Switch
- Expandable up to 6TB
- Supports one click network configuration through FEN Service
- Supports third party cameras (Axis, Panasonic, ONVIF™)

CONNECTION DIAGRAM



DIMENSIONS



SPECIFICATIONS

VIDEO	
Video Inputs	16 IP cameras
Max. Incoming Throughput	116Mbps
Supports Camera	DirectIP™, Axis, Panasonic, ONVIF™
Video Outputs	1 HDMI, 1 VGA OUT
Display Resolutions	1920 x 1200 , 1920 x 1080, 1680 x 1050, 1600 x 1200
Display Speed	Up to 240ips
Digital Zoom	x2 ~ x12
RECORDING	
Max. Throughput	64Mbps, 240ips@Full HD
Recording Resolutions	Up to 3MP (Depending on IP Camera)
Compression	H.264
Recording Modes	Time-Lapse, Event, Pre-event, Panic
Trigger Events	Alarm in, Audio detection, Motion detection, Trip-zone Tampering, Video loss
PLAYBACK	
Performance	4 Channel HD synchronous playback
Search Modes	Time-lapse, Event log, Motion, Text-in
Digital Zoom	x2 ~ x12
STORAGE	
HDD	SATA x2 (Up to 3TB capacity for each disk)
Total Capacity	6TB=3TB x 2 (Internal)
NETWORK	
Client Connection	Gigabit Ethernet (Client) x1
Video in Connection	Fast Ethernet (IP Camera) x8 +Gigabit Ethernet (Ext) x1
Video in Connection	20Mbps
Camera Power	PoE (IEEE 802.3at supported) 8 ports, 50W
Remote Data Export	IDIS player, AVI, JPG
Event Notification	Email (attach clip (.cbf) .MP4), Callback to Remote S/W, Push notification (IDIS Mobile), SNS (Twitter)
Two-way Audio	IDIS Center ~ DC Series
Client Viewer	IDIS Center, IDIS Mobile, IDIS Web
INTERFACE	
Audio In / Out	Local (NVR) : - / 1RCA + 1HDMI IP Camera : 16 / 16 (Depending on IP Camera)
Alarm In / Out	Local (NVR) : 4 / 1 IP Camera : 16 / 16 (Depending on IP Camera)
Alarm Reset In	-
Serial Interface	RS232 (Terminal block)
USB	USB 2.0 x 2
User Interface	Mouse, IR remote control, Network remote keyboard
GENERAL	
Operating System	Embedded Linux
UNIT Dimensions (W x H x D)	300mm x 61mm x 231mm
Unit Weight	2.6kg (with 1 HDD)
Shipping Dimensions (W x H x D)	460mm x 113mm x 390mm
Shipping Weight	3.9kg (with 1 HDD)
Working Temperature	5°C ~ 40°C
Operating Humidity	0% ~ 90%
Power Input	DC12V 2.0A (For NVR), DC48V 1.0A (For PSE)
Power Consumption	Max. 24W (For NVR), Max. 48W (For PSE)
Approvals	FCC, CE, KC

OPTIONAL ACCESSORIES



DirectIP™ 2200 Series 4channel Full HD Recorder

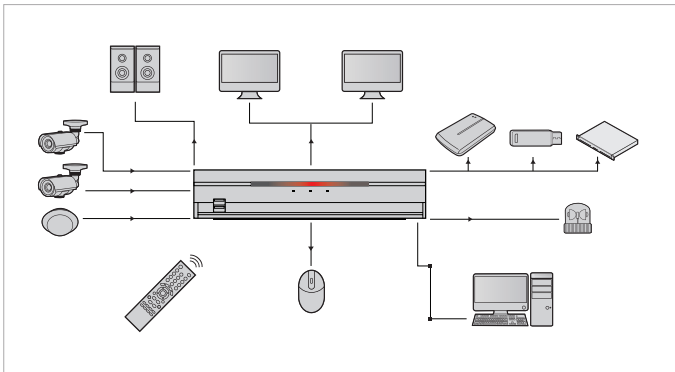
DR-2204P NEW



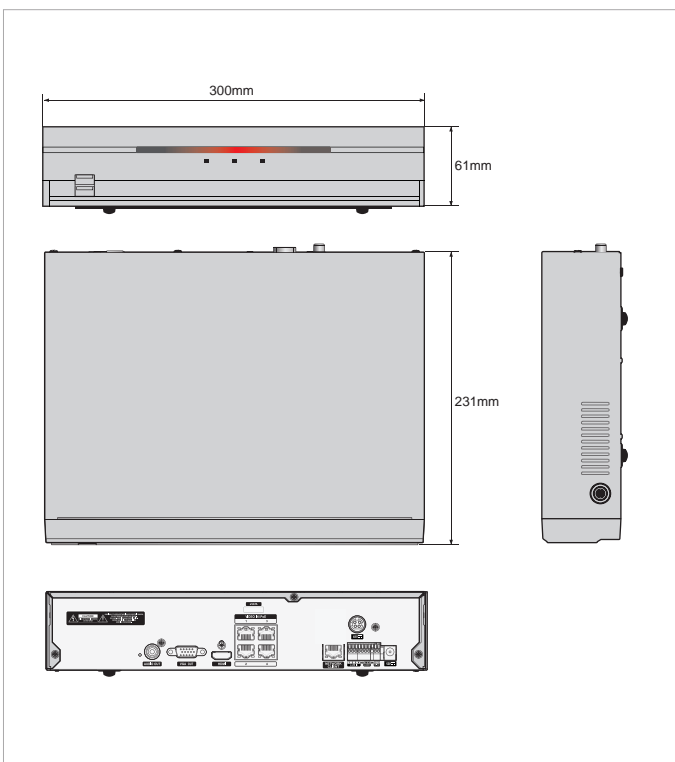
KEY FEATURES

- Total Incoming throughput 84Mbps
- Up to 120ips Full HD real-time recording
- Up to 120ips live display
- Easy to install, set-up and play with DirectIP™ cameras
- Built-in 4 channel PoE Switch
- Expandable up to 18TB
- Supports one click network configuration through FEN service
- Supports third party cameras (Axis, Panasonic, ONVIF™)

CONNECTION DIAGRAM



DIMENSIONS



SPECIFICATIONS

VIDEO	
Video Inputs	4 IP cameras
Max. Incoming Throughput	84Mbps
Supports Camera	DirectIP™, Axis, Panasonic, ONVIF™
Video Outputs	1 HDMI, 1 VGA OUT
Display Resolutions	1920 x 1200 , 1920 x 1080, 1680 x 1050, 1600 x 1200
Display Speed	Up to 120ips
Digital Zoom	x2 ~ x12
RECORDING	
Max. Throughput	32Mbps, 120ips@Full HD
Recording Resolutions	Up to 3MP (Depending on IP Camera)
Compression	H.264
Recording Modes	Time-Lapse, Event, Pre-event, Panic
Trigger Events	Alarm in, Audio detection, Motion detection, Trip-zone Tampering, Video loss
PLAYBACK	
Performance	4 Channel HD synchronous playback
Search Modes	Time-lapse, Event log, Motion, Text-in
Digital Zoom	x2 ~ x12
STORAGE	
HDD	SATA x2, eSATA x1,(Up to 3TB capacity for each disk)
Total Capacity	18TB~3TB x (2 +1x4)
NETWORK	
Client Connection	Gigabit Ethernet (Client) x1
Video in Connection	Fast Ethernet (IP Camera) x4
Transmission Speed	20Mbps
Camera Power	PoE (IEEE 802.3at supported) 4 ports, 50W
Remote Data Export	IDIS player, AVI, JPG
Event Notification	Email (attach clip (.cbf) .MP4), Callback to Remote S/W, Push notification (IDIS Mobile), SNS (Twitter)
Two-way Audio	IDIS Center ~ DC Series
Client Viewer	IDIS Center, IDIS Mobile, IDIS Web
INTERFACE	
Audio In / Out	Local (NVR) : - / 1RCA + 1HDMI IP Camera : 4 / 4 (Depending on IP Camera)
Alarm In / Out	Local (NVR) : 4 / 4 IP Camera : 4 / 4 (Depending on IP Camera)
Alarm Reset In	-
Serial Interface	RS232 (Terminal Block), USB 2.0 x 1, USB 3.0 x 1
USB	USB 2.0 x 1 , USB 3.0 x 1
User Interface	Mouse, IR remote control, Network remote keyboard
GENERAL	
Operating System	Embedded Linux
UNIT Dimensions (W x H x D)	300mm x 61mm x 231mm
Unit Weight	2.6kg (with 1 HDD)
Shipping Dimensions (W x H x D)	460mm x 113mm x 390mm
Shipping Weight	3.9kg (with 1 HDD)
Working Temperature	5°C ~ 40°C
Operating Humidity	0% ~ 90%
Power Input	DC12V 2.0A (For NVR), DC48V 1.0A (For PSE)
Power Consumption	Max. 24W (For NVR), Max. 48W (For PSE)
Approvals	FCC, CE, KC

OPTIONAL ACCESSORIES



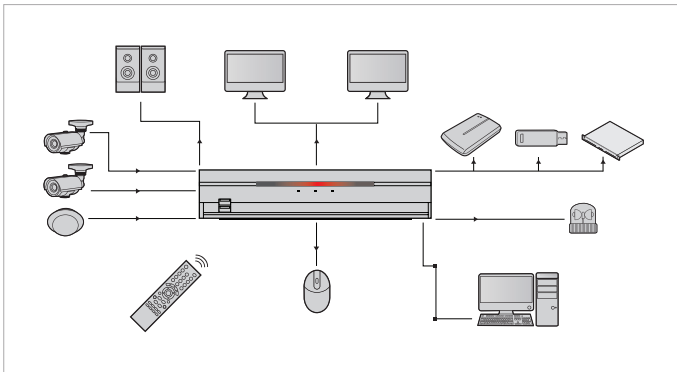
DR-2208P NEW



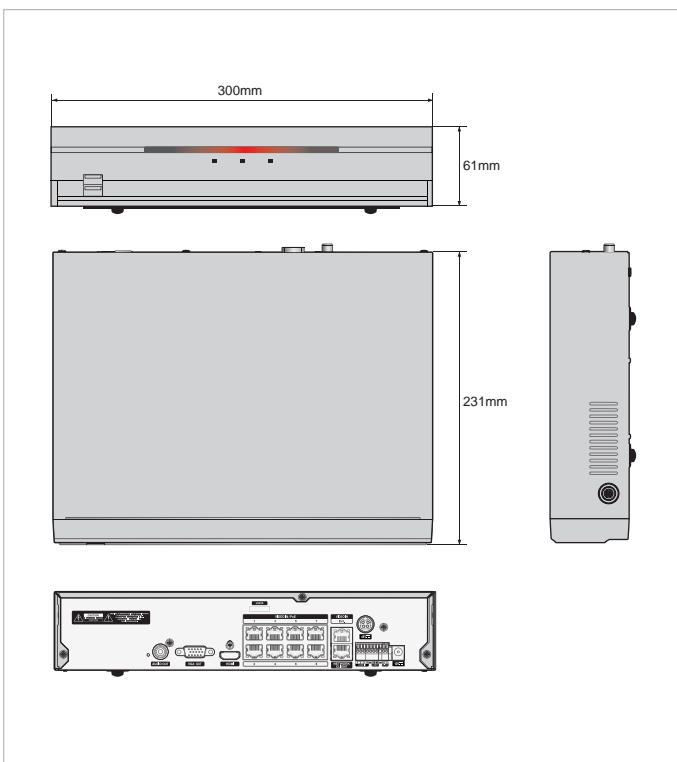
KEY FEATURES

- Total Incoming throughput 116Mbps
- Up to 240ips Full HD real-time recording
- Up to 240ips live display
- Easy to install, set-up and play with DirectIP™ cameras
- Built-in 8 Channel PoE Switch
- Expandable up to 18TB
- Supports one click network configuration through FEN Service
- Supports third party cameras (Axis, Panasonic, ONVIF™)

CONNECTION DIAGRAM



DIMENSIONS



SPECIFICATIONS

VIDEO	
Video Inputs	8 IP cameras
Max. Incoming Throughput	116Mbps
Supports Camera	DirectIP™, Axis, Panasonic, ONVIF™
Video Outputs	1 HDMI, 1 VGA OUT
Display Resolutions	1920 x 1200 , 1920 x 1080, 1680 x 1050, 1600 x 1200
Display Speed	Up to 240ips
Digital Zoom	x2 ~ x12
RECORDING	
Max. Throughput	64Mbps, 240ips@Full HD
Recording Resolutions	Up to 3MP (Depending on IP Camera)
Compression	H.264
Recording Modes	Time-Lapse, Event, Pre-event, Panic
Trigger Events	Alarm in, Audio detection, Motion detection, Trip-zone Tampering, Video loss
PLAYBACK	
Performance	4 Channel HD synchronous playback
Search Modes	Time-lapse, Event log, Motion, Text-in
Digital Zoom	x2~x12
STORAGE	
HDD	SATA x2, eSATA x1,(Up to 3TB capacity for each disk)
Total Capacity	18TB=3TB x (2+1x4)
NETWORK	
Client Connection	Gigabit Ethernet(Client) x1
Video in Connection	Fast Ethernet (IP Camera) x8 + Gigabit Ethernet (Ext) x1
Transmission Speed	20Mbps
Camera Power	PoE (IEEE 802.3at supported) 8 ports, 50W
Remote Data Export	IDIS player, AVI, JPG
Event Notification	Email (attach clip (.cbf) .MP4), Callback to Remote S/W Push notification (IDIS Mobile), SNS (Twitter)
Two-way Audio	IDIS Center ~ DC Series
Client Viewer	IDIS Center, IDIS Mobile, IDIS Web
INTERFACE	
Audio In / Out	Local (NVR) : - / 1RCA + 1HDMI IP Camera : 8 / 8 (Depending on IP Camera)
Alarm In / Out	Local (NVR) : 4 / 1 IP Camera : 8 / 8 (Depending on IP Camera)
Alarm Reset In	-
Serial Interface	RS232 (Terminal Block), USB 2.0 x 1, USB 3.0 x 1
USB	USB 2.0 x 1 , USB 3.0 x 1
User Interface	Mouse, IR remote control, Network remote keyboard
GENERAL	
Operating System	Embedded Linux
UNIT Dimensions (W x H x D)	300mm x 61mm x 231mm
Unit Weight	2.3kg (with 1 HDD)
Shipping Dimensions (W x H x D)	360mm x 113mm x 390mm
Shipping Weight	3.7kg (with 1 HDD)
Working Temperature	5°C ~ 40°C
Operating Humidity	0% ~ 90%
Power Input	DC12V 2.0A (For NVR), DC48V 1.0A (For PSE)
Power Consumption	Max. 24W (For NVR), Max. 48W (For PSE)
Approvals	FCC, CE, KC

OPTIONAL ACCESSORIES



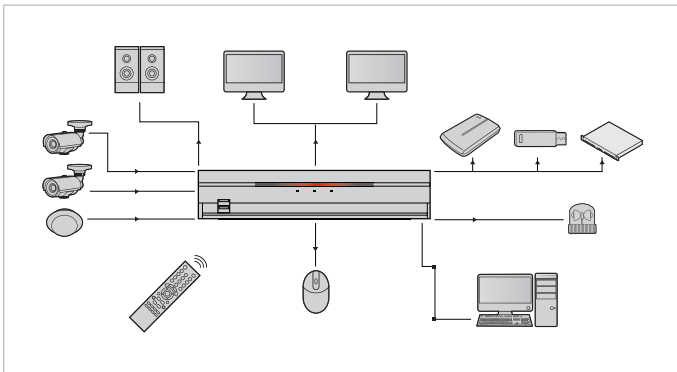
DR-2216P NEW



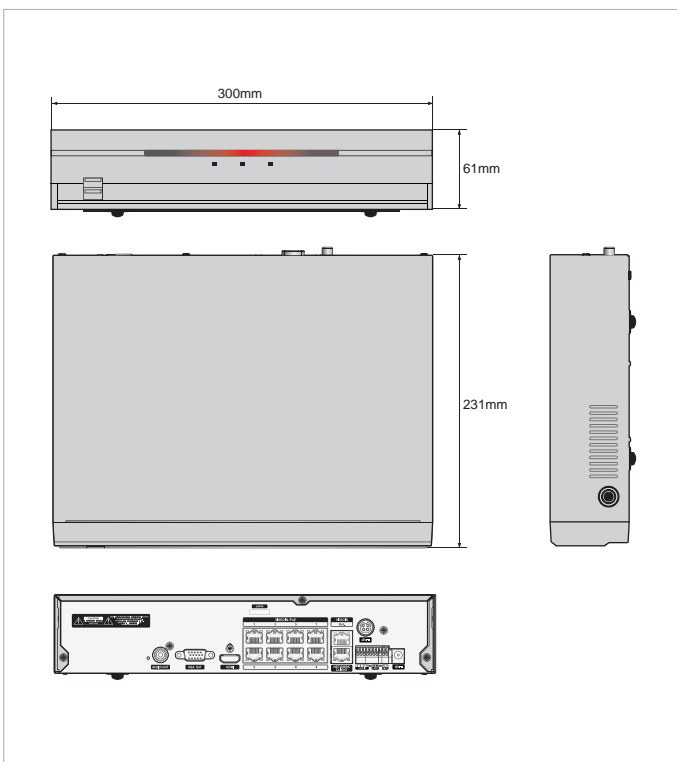
KEY FEATURES

- Total Incoming throughput 116Mbps
- Up to 240ips Full HD real-time recording
- Up to 240ips live display
- Easy to install, set-up and play with DirectIP™ cameras
- Built-in 8 Channel PoE Switch and expandable up to 16 Channel using DirectIP™ Gigabit PoE Switch
- Expandable up to 18TB
- Supports one click network configuration through FEN Service
- Supports third party cameras (Axis, Panasonic, ONVIF™)

CONNECTION DIAGRAM



DIMENSIONS



SPECIFICATIONS

VIDEO	
Video Inputs	16 IP cameras
Max. Incoming Throughput	116Mbps
Supports Camera	DirectIP™, Axis, Panasonic, ONVIF™
Video Outputs	1 HDMI, 1 VGA OUT
Display Resolutions	1920 x 1200 , 1920 x 1080, 1680 x 1050, 1600 x 1200
Display Speed	Up to 240ips
Digital Zoom	x2 ~ x12
RECORDING	
Max. Throughput	64Mbps, 240ips@Full HD
Recording Resolutions	Up to 3MP (Depending on IP Camera)
Compression	H.264
Recording Modes	Time-Lapse, Event, Pre-event, Panic
Trigger Events	Alarm in, Audio detection, Motion detection, Trip-zone Tampering, Video loss
PLAYBACK	
Performance	4 Channel HD synchronous playback
Search Modes	Time-lapse, Event log, Motion, Text-in
Digital Zoom	x2 ~ x12
STORAGE	
HDD	SATA x2, eSATA x1,(Up to 3TB capacity for each disk)
Total Capacity	18TB~3TB x (2 +1x4)
NETWORK	
Client Connection	Gigabit Ethernet (Client) x1
Video in Connection	Fast Ethernet (IP Camera) x8 + Gigabit Ethernet (Ext) x1
Transmission Speed	20Mbps
Camera Power	PoE (IEEE 802.3at supported) 8 ports, 50W
Remote Data Export	IDIS player, AVI, JPG
Event Notification	Email (attach clip (.cbf) .MP4), Callback to Remote S/W Push notification (IDIS Mobile), SNS (Twitter)
Two-way Audio	IDIS Center ~ DC Series
Client Viewer	IDIS Center, IDIS Mobile, IDIS Web
INTERFACE	
Audio In / Out	Local (NVR) : - / 1RCA + 1HDMI IP Camera : 16 / 16 (Depending on IP Camera)
Alarm In / Out	Local (NVR) : 4 / 1 IP Camera : 16 / 16 (Depending on IP Camera)
Alarm Reset In	-
Serial Interface	RS232 (Terminal Block), USB 2.0 x 1, USB 3.0 x 1
USB	USB 2.0 x 1 , USB 3.0 x 1
User Interface	Mouse, IR remote control, Network remote keyboard
GENERAL	
Operating System	Embedded Linux
UNIT Dimensions (W x H x D)	300mm x 61mm x 231mm
Unit Weight	2.6kg (with 1 HDD)
Shipping Dimensions (W x H x D)	460mm x 113mm x 390mm
Shipping Weight	3.9kg (with 1 HDD)
Working Temperature	5°C ~ 40°C
Operating Humidity	0% ~ 90%
Power Input	DC12V 2.0A (For NVR), DC48V 1.0A (For PSE)
Power Consumption	Max. 24W (For NVR), Max. 48W (For PSE)
Approvals	FCC, CE, KC

OPTIONAL ACCESSORIES



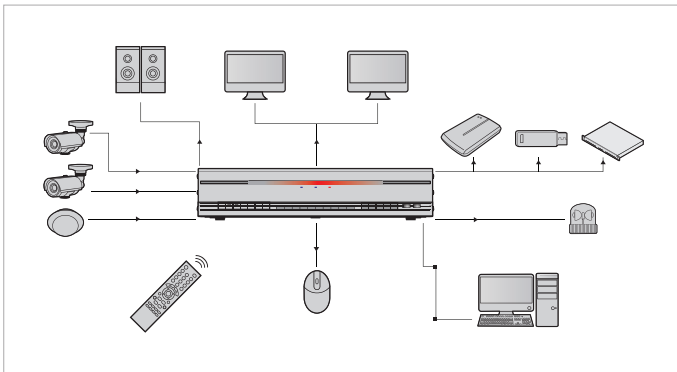
DR-4108P



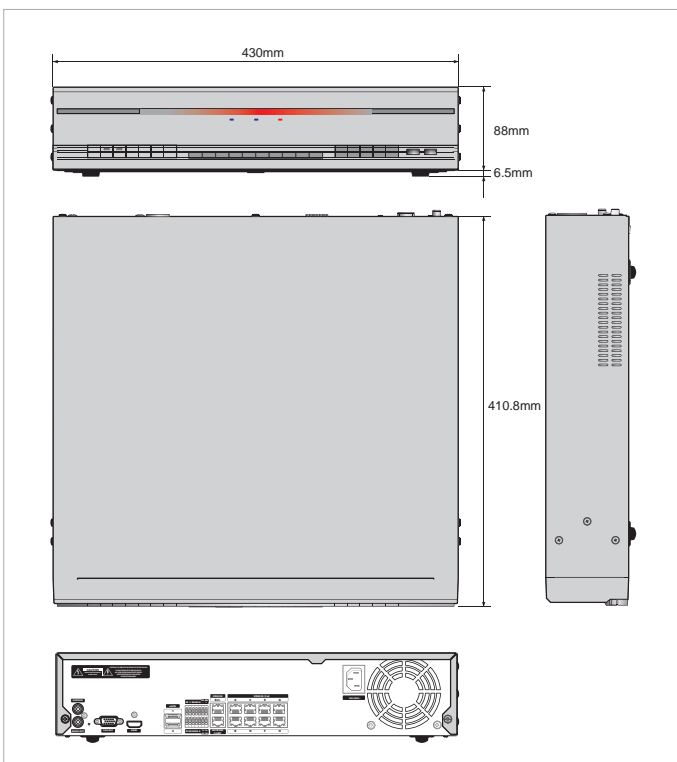
KEY FEATURES

- Total Incoming throughput 150Mbps
- Up to 240ips Full HD real-time recording
- Up to 240ips live display
- Easy to install, set-up and play with DirectIP™ cameras
- Built-in 8 channel Gigabit PoE Switch
- Expandable up to 36TB using eSATA storage
- Supports one click network configuration through FEN Service
- Supports third party cameras (Axis, Panasonic, ONVIF™)

CONNECTION DIAGRAM



DIMENSIONS



SPECIFICATIONS

VIDEO	
Video Inputs	8 IP cameras
Max. Incoming Throughput	150Mbps
Supports Camera	DirectIP™, Axis, Panasonic, ONVIF™
Video Outputs	1 HDMI, 1 VGA OUT
Display Resolutions	1920 x 1200 , 1920 x 1080, 1680 x 1050, 1600 x 1200
Display Speed	Up to 240ips
Digital Zoom	x2 ~ x12
RECORDING	
Max. Throughput	80Mbps, 240ips@Full HD
Recording Resolutions	Up to 3MP (Depending on IP Camera)
Compression	H.264
Recording Modes	Time-Lapse, Event, Pre-event, Panic
Trigger Events	Alarm in, Audio detection, Motion detection, Trip-zone Tampering, Video loss
PLAYBACK	
Performance	4 Channel Full HD synchronous playback
Search Modes	Time-lapse, Event log, Motion, Text-in
Digital Zoom	x2 ~ x12
STORAGE	
HDD	SATA x4, eSATA x2 (Up to 3TB capacity for each disk)
Total Capacity	36TB=3TB x (4 (Internal) + 4x2 (External))
NETWORK	
Client Connection	Gigabit Ethernet(Client) x1
Video in Connection	Gigabit Ethernet(IP Camera) x9
Transmission Speed	20Mbps
Camera Power	PoE (IEEE 802.3at supported) 8 ports, 120W
Remote Data Export	IDIS player, AVI, JPG
Event Notification	Email (attach clip (.cbf) .MP4), Callback to Remote S/W Push notification (IDIS Mobile), SNS (Twitter)
Two-way Audio	IDIS Center ~ DC Series
Client Viewer	IDIS Center, IDIS Mobile, IDIS Web
INTERFACE	
Audio In / Out	Local (NVR) : 1 RCA / 1RCA + 1HDMI IP Camera : 8 / 8 (Depending on IP Camera)
Alarm In / Out	Local (NVR) : 4 / 1 IP Camera : 8 / 8 (Depending on IP Camera)
Alarm Reset In	1
Serial Interface	RS232 (Terminal Block), RS485 (Terminal Block), USB 2.0 x 2
USB	USB 2.0 x2
User Interface	Front buttons, Mouse, IR remote control, Remote Keyboard
GENERAL	
Operating System	Embedded Linux
UNIT Dimensions (W x H x D)	430mm x 88mm x 410.8mm
Unit Weight	6.0kg (with 1 HDD)
Shipping Dimensions (W x H x D)	540mm x 290mm x 585mm
Shipping Weight	9.0kg (with 1 HDD)
Working Temperature	5°C ~ 40°C
Operating Humidity	0% ~ 90%
Power Input	AC 100-240 V, 50/60Hz, 3.0 ~ 1.5A
Power Consumption	Max. 200W (with 4 HDDs)
Approvals	FCC, UL, CE, CB, KC

OPTIONAL ACCESSORIES



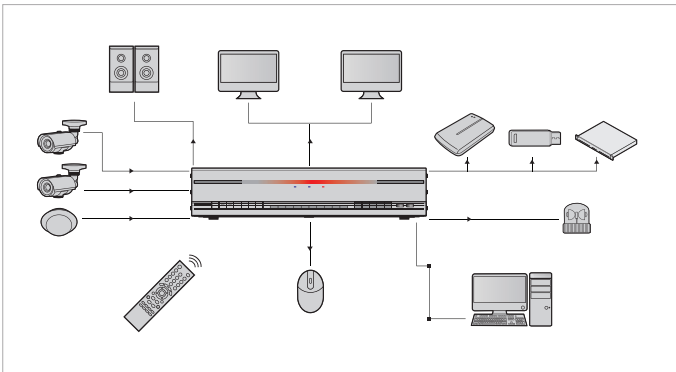
DR-4116P



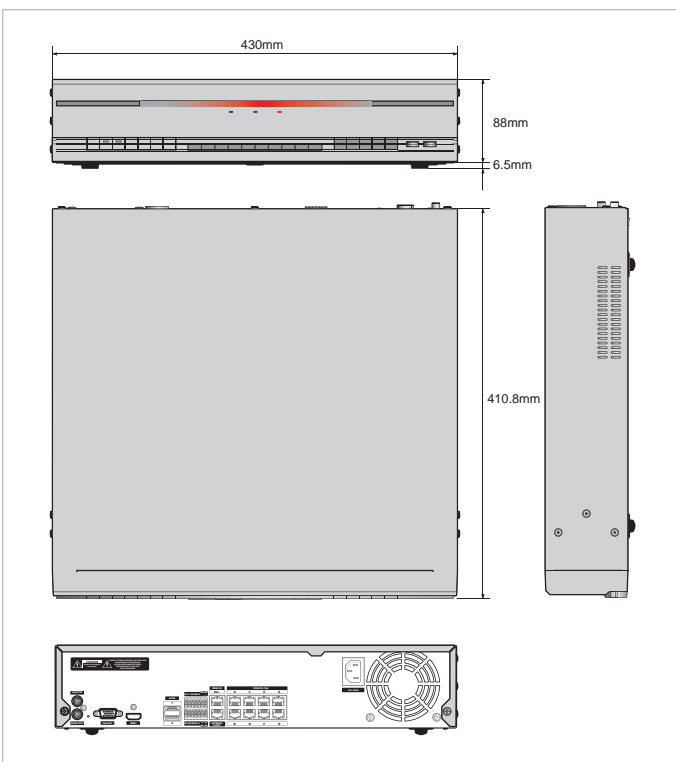
KEY FEATURES

- Total incoming throughput 200Mbps
- Up to 480ips HD real-time recording
- Up to 480ips live display
- Easy to install, set-up and play with DirectIP™ cameras
- Built-in 8 Channel Gigabit PoE Switch and expandable up to 16 Channel using DirectIP™ Gigabit PoE Switch
- Expandable up to 36TB using eSATA storage
- Supports one click network configuration through FEN Service
- Supports third party cameras (Axis, Panasonic, ONVIF™)

CONNECTION DIAGRAM



DIMENSIONS



SPECIFICATIONS

VIDEO	
Video Inputs	16 IP cameras
Max. Incoming Throughput	200Mbps
Supports Camera	DirectIP™, Axis, Panasonic, ONVIF™
Video Outputs	1 HDMI, 1 VGA OUT
Display Resolutions	1920 x 1200 , 1920 x 1080, 1680 x 1050, 1600 x 1200
Display Speed	Up to 480ips
Digital Zoom	x2 ~ x12
RECORDING	
Max. Throughput	130Mbps, 240ips@Full HD
Recording Resolutions	Up to 3MP (Depending on IP Camera)
Compression	H.264
Recording Modes	Time-Lapse, Event, Pre-event, Panic
Trigger Events	Alarm in, Audio detection, Motion detection, Trip-zone Tampering, Video loss
PLAYBACK	
Performance	4 Channel Full HD synchronous playback
Search Modes	Time-lapse, Event log, Motion, Text-in
Digital Zoom	x2 ~ x12
STORAGE	
HDD	SATA x4, eSATA x2 (Up to 3TB capacity for each disk)
Total Capacity	36TB=3TB x (4 (Internal) + 4x2 (External))
NETWORK	
Client Connection	Gigabit Ethernet (Client) x1
Video in Connection	Gigabit Ethernet (IP Camera) x9
Transmission Speed	20Mbps
Camera Power	PoE (IEEE 802.3at supported) 8 ports, 120W
Remote Data Export	IDIS player, AVI, JPG
Event Notification	Email (attach clip (.cbf) .MP4), Callback to Remote S/W Push notification (IDIS Mobile), SNS (Twitter)
Two-way Audio	IDIS Center ~ DC Series
Client Viewer	IDIS Center, IDIS Mobile, IDIS Web
INTERFACE	
Audio In / Out	Local (NVR) : 1 RCA / 1RCA + 1HDMI IP Camera : 16 / 16 (Depending on IP Camera)
Alarm In / Out	Local (NVR) : 4 / 1 IP Camera : 16 / 16 (Depending on IP Camera)
Alarm Reset In	1
Serial Interface	RS232 (Terminal block), RS485 (Terminal block)
USB	USB 2.0 x2
User Interface	Front buttons, Mouse, IR remote control, Remote Keyboard
GENERAL	
Operating System	Embedded Linux
UNIT Dimensions (W x H x D)	430mm x 88mm x 410.8mm
Unit Weight	6.0kg (with 1 HDD)
Shipping Dimensions (W x H x D)	540mm x 290mm x 585mm
Shipping Weight	9.0kg (with 1 HDD)
Working Temperature	5°C ~ 40°C
Operating Humidity	0% ~ 90%
Power Input	AC 100-240 V, 50/60Hz, 3.0 ~ 1.5A
Power Consumption	Max. 200W (with 4 HDDs)
Approvals	FCC, UL, CE, CB, KC

OPTIONAL ACCESSORIES



DA-ES1104



DH-2112PF

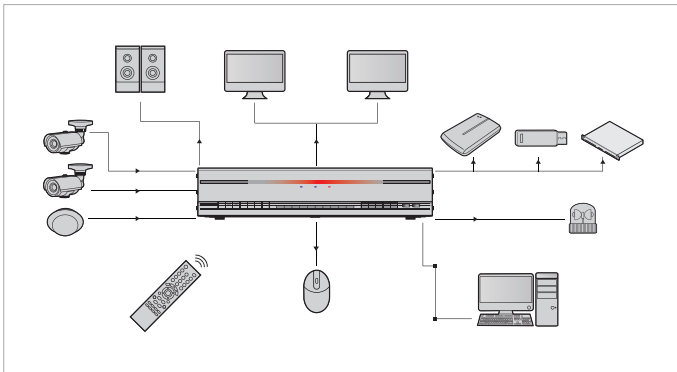
DR-4132P



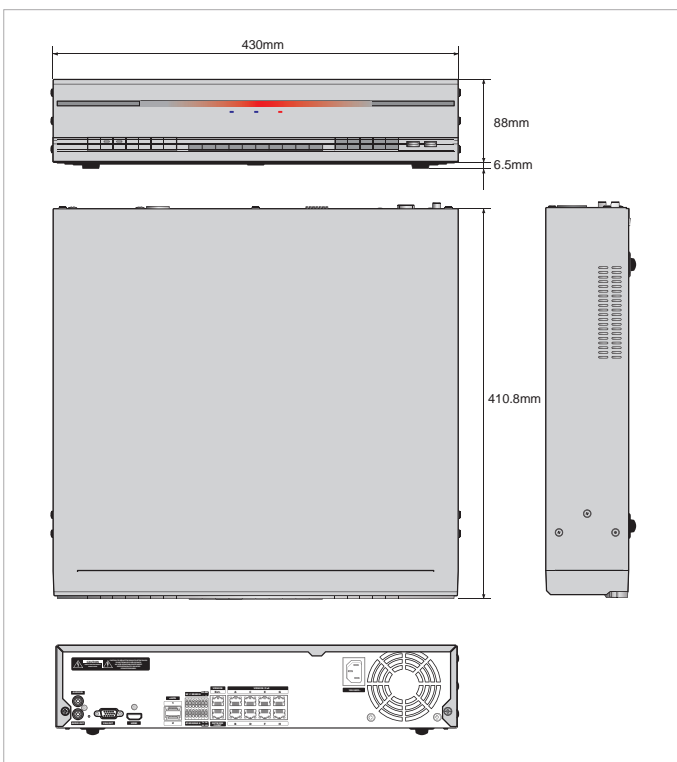
KEY FEATURES

- Total incoming throughput 230Mbps
- Up to 320ips Full HD real-time recording
- Up to 480ips live display
- Easy to install, set-up and play with DirectIP™ cameras
- Built-in 8 Channel PoE Switch and expandable up to 32 Channel sing DirectIP™ Gigabit PoE Switch
- Expandable up to 36TB using eSATA storage
- Supports one click network configuration through FEN Service
- Supports third party cameras (Axis, Panasonic, ONVIF™)

CONNECTION DIAGRAM



DIMENSIONS



SPECIFICATIONS

VIDEO	
Video Inputs	32 IP cameras
Max. Incoming Throughput	230Mbps
Supports Camera	DirectIP™, Axis, Panasonic, ONVIF™
Video Outputs	1 HDMI, 1 VGA OUT
Display Resolutions	1920 x 1900, 1920 x 1080, 1680 x 1050, 1600 x 1200
Display Speed	Up to 480ips
Digital Zoom	x2 ~ x12
RECORDING	
Max. Throughput	160Mbps, 320ips@Full HD
Recording Resolutions	Up to 3MP (Depending on IP Camera)
Compression	H.264
Recording Modes	Time-Lapse, Event, Pre-event, Panic
Trigger Events	Alarm in, Audio detection, Motion detection, Trip-zone Tampering, Video loss
PLAYBACK	
Performance	4 Channel Full HD synchronous playback
Search Modes	Time-lapse, Event log, Motion, Text-in
Digital Zoom	x2 ~ x12
STORAGE	
HDD	SATA x4, eSATA x2 (Up to 3TB capacity for each disk)
Total Capacity	36TB=3TB x 4 (Internal) + 4x2 (External))
NETWORK	
Client Connection	Gigabit Ethernet (Client) x1
Video in Connection	Gigabit Ethernet (IP Camera) x9
Transmission Speed	20Mbps
Camera Power	PoE (IEEE 802.3at supported) 8 ports, 120W
Remote Data Export	IDIS player, AVI, JPG
Event Notification	Email (attach clip (.cbf) .MP4), Callback to Remote S/W Push notification (IDIS Mobile), SNS (Twitter)
Two-way Audio	IDIS Center – DC Series
Client Viewer	IDIS Center, IDIS Mobile, IDIS Web
INTERFACE	
Audio In / Out	Local (NVR) : 1 RCA / 1RCA + 1HDMI IP Camera : 32 / 32 (Depending on IP Camera)
Alarm In / Out	Local (NVR) : 4 / 1 IP Camera : 32 / 32 (Depending on IP Camera)
Alarm Reset In	1
Serial Interface	RS232 (Terminal block), RS485 (Terminal block)
USB	USB 2.0 x2
User Interface	Front buttons, Mouse, IR remote control, Remote Keyboard
GENERAL	
Operating System	Embedded Linux
UNIT Dimensions (W x H x D)	430mm x 88mm x 410.8mm
Unit Weight	6.0kg (with 1 HDD)
Shipping Dimensions (W x H x D)	540mm x 290mm x 585mm
Shipping Weight	9.0kg (with 1 HDD)
Working Temperature	5°C ~ 40°C
Operating Humidity	0% ~ 90%
Power Input	AC 100-240 V, 50/60Hz, 3.0 ~ 1.5A
Power Consumption	Max. 200W (with 4 HDDs)
Approvals	FCC, UL, CE, CB, KC

OPTIONAL ACCESSORIES



DA-ES1104



DH-2112PF

DirectIP™ 4200 Series 8channel Full HD Recorder

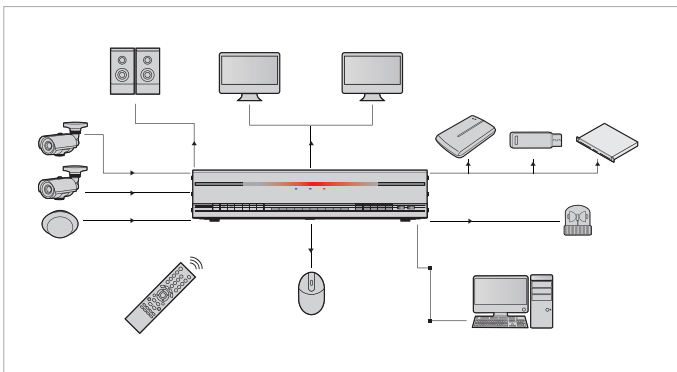
DR-4208P NEW



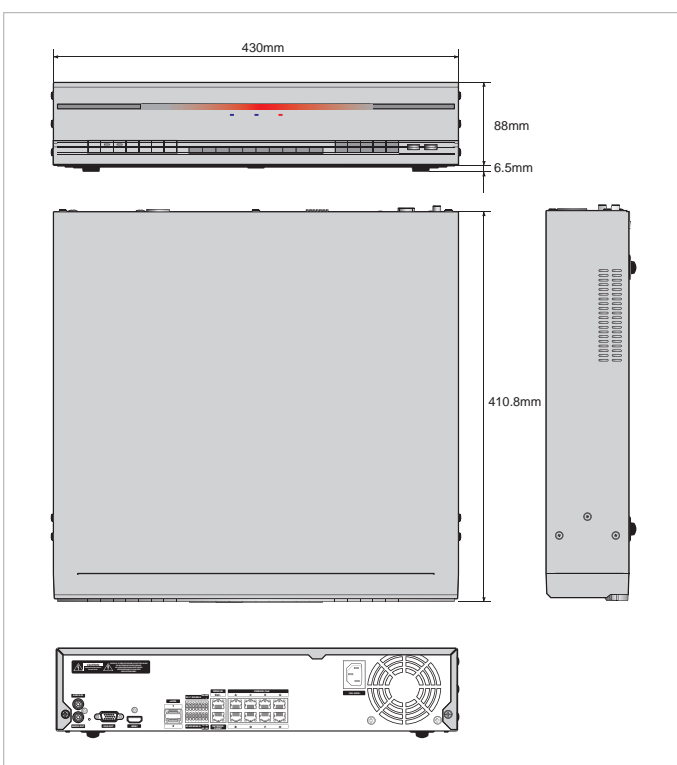
KEY FEATURES

- Total incoming throughput 170Mbps
- Up to 240ips Full HD real-time recording
- Up to 240ips live display
- Easy to install, set-up and play with DirectIP™ cameras
- Built-in 8 channel Gigabit PoE Switch
- Expandable up to 36TB using eSATA storage
- Supports one click network configuration through FEN Service
- Supports third party cameras (Axis, Panasonic, ONVIF™)

CONNECTION DIAGRAM



DIMENSIONS



SPECIFICATIONS

VIDEO	
Video Inputs	8 IP cameras
Max. Incoming Throughput	170Mbps
Supports Camera	DirectIP™, Axis, Panasonic, ONVIF™
Video Outputs	1 HDMI, 1 VGA OUT
Display Resolutions	1920 x 1200, 1920 x 1080, 1680 x 1050, 1600 x 1200
Display Speed	Up to 240ips
Digital Zoom	x2 ~ x12
RECORDING	
Max. Throughput	80Mbps, 240ips@Full HD
Recording Resolutions	Up to 3MP (Depending on IP Camera)
Compression	H.264
Recording Modes	Time-Lapse, Event, Pre-event, Panic
Trigger Events	Alarm in, Audio detection, Motion detection, Trip-zone Tampering, Video loss
PLAYBACK	
Performance	4 Channel Full HD synchronous playback
Search Modes	Time-lapse, Event log, Motion, Text-in
Digital Zoom	x2 ~ x12
STORAGE	
HDD	SATA x4, eSATA x2 (Up to 3TB capacity for each disk) RAID 0, 1, 1+0 supported
Total Capacity	36TB=3TB x 4 (Internal) + 4x2 (External))
NETWORK	
Client Connection	Gigabit Ethernet (Client) x1
Video in Connection	Gigabit Ethernet (IP Camera) x9
Transmission Speed	40Mbps
Camera Power	PoE (IEEE 802.3at supported) 8 ports, 120W
Remote Data Export	IDIS player, AVI, JPG
Event Notification	Email (attach clip (.cbf).MP4), Callback to Remote S/W Push notification (IDIS Mobile), SNS (Twitter)
Two-way Audio	IDIS Center ~ DC Series
Client Viewer	IDIS Center, IDIS Mobile, IDIS Web
INTERFACE	
Audio In / Out	Local (NVR) : 1 RCA / 1RCA + 1HDMI IP Camera : 8 / 8 (Depending on IP Camera) Local (NVR) : 4 / 1
Alarm In / Out	IP Camera : 8 / 8 (Depending on IP Camera)
Alarm Reset In	1
Serial Interface	RS232 (Terminal block), RS485 (Terminal block)
USB	USB 2.0 x2
User Interface	Front buttons, Mouse, IR remote control, Remote Keyboard
GENERAL	
Operating System	Embedded Linux
UNIT Dimensions (W x H x D)	430mm x 88mm x 410.8mm
Unit Weight	6.0kg (with 1 HDD)
Shipping Dimensions (W x H x D)	540mm x 290mm x 585mm
Shipping Weight	9.0kg (with 1 HDD)
Working Temperature	5°C ~ 40°C
Operating Humidity	0% ~ 90%
Power Input	AC 100-240 V, 50/60Hz, 3.0 ~ 1.5A
Power Consumption	Max. 200W (with 4 HDDs)
Approvals	FCC, UL, CE, CB, KC

OPTIONAL ACCESSORIES



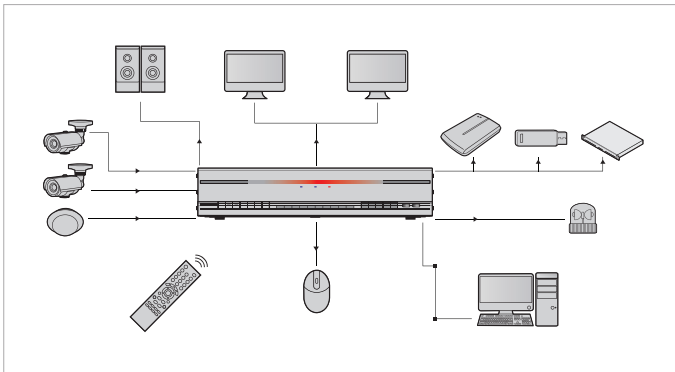
DR-4216P NEW



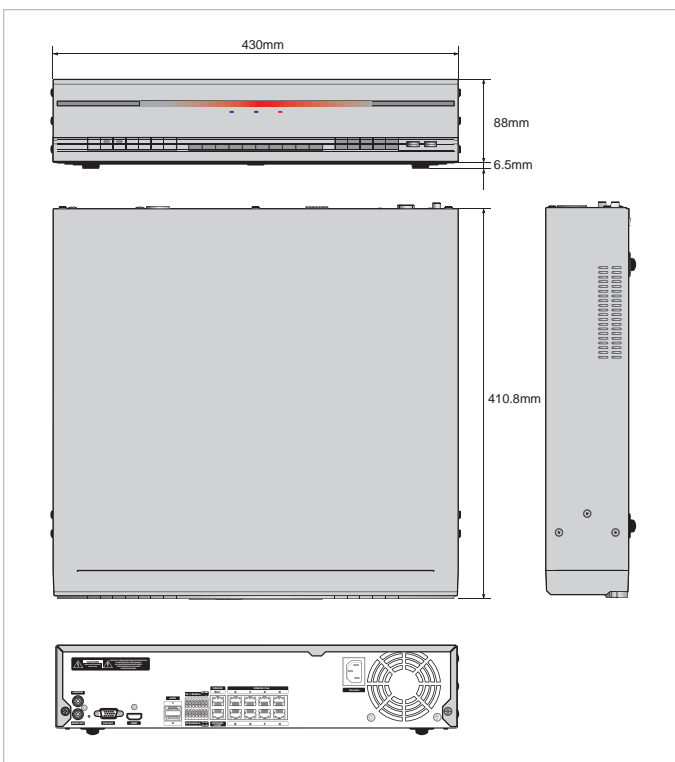
KEY FEATURES

- Total incoming throughput 220Mbps
- Up to 480ips HD real-time recording
- Up to 480ips live display
- Easy to install, set-up and play with DirectIP™ cameras
- Built-in 8 channel Gigabit PoE Switch and expandable up to 16 Channel using DirectIP™ Gigabit PoE Switch
- Expandable up to 36TB using eSATA storage
- Supports one click network configuration through FEN Service
- Supports third party cameras (Axis, Panasonic, ONVIF™)

CONNECTION DIAGRAM



DIMENSIONS



SPECIFICATIONS

VIDEO	
Video Inputs	16 IP cameras
Max. Incoming Throughput	220Mbps
Supports Camera	DirectIP™, Axis, Panasonic, ONVIF™
Video Outputs	1 HDMI, 1 VGA OUT
Display Resolutions	1920 x 1900, 1920 x 1080, 1680 x 1050, 1600 x 1200
Display Speed	Up to 480ips
Digital Zoom	x2 ~ x12
RECORDING	
Max. Throughput	130Mbps, 480ips@HD
Recording Resolutions	Up to 3MP (Depending on IP Camera)
Compression	H.264
Recording Modes	Time-Lapse, Event, Pre-event, Panic
Trigger Events	Alarm in, Audio detection, Motion detection, Trip-zone Tampering, Video loss
PLAYBACK	
Performance	4 Channel Full HD synchronous playback
Search Modes	Time-lapse, Event log, Motion, Text-in
Digital Zoom	x2 ~ x12
STORAGE	
HDD	SATA x4, eSATA x2 (Up to 3TB capacity for each disk) RAID 0, 1, 1+0 supported
Total Capacity	36TB=3TB x (4 (Internal) + 4x2 (External))
NETWORK	
Client Connection	Gigabit Ethernet (Client) x1
Video in Connection	Gigabit Ethernet (IP Camera) x9
Transmission Speed	40Mbps
Camera Power	PoE (IEEE 802.3at supported) 8 ports, 120W
Remote Data Export	IDIS player, AVI, JPG
Event Notification	Email (attach clip (.cbf) .MP4), Callback to Remote S/W Push notification (IDIS Mobile), SNS (Twitter)
Two-way Audio	IDIS Center ~ DC Series
Client Viewer	IDIS Center, IDIS Mobile, IDIS Web
INTERFACE	
Audio In / Out	Local (NVR) : 1 RCA / 1RCA + 1HDMI IP Camera : 16 / 16 (Depending on IP Camera) Local (NVR) : 4 / 1
Alarm In / Out	IP Camera : 16 / 16 (Depending on IP Camera)
Alarm Reset In	1
Serial Interface	RS232 (Terminal block), RS485 (Terminal block)
USB	USB 2.0 x2
User Interface	Front buttons, Mouse, IR remote control, Remote Keyboard
GENERAL	
Operating System	Embedded Linux
UNIT Dimensions (W x H x D)	430mm x 88mm x 410.8mm
Unit Weight	6.0kg (with 1 HDD)
Shipping Dimensions (W x H x D)	540mm x 290mm x 585mm
Shipping Weight	9.0kg (with 1 HDD)
Working Temperature	5°C ~ 40°C
Operating Humidity	0% ~ 90%
Power Input	AC 100-240 V, 50/60Hz, 3.0 ~ 1.5A
Power Consumption	Max. 200W (with 4 HDDs)
Approvals	FCC, UL, CE, CB, KC

OPTIONAL ACCESSORIES



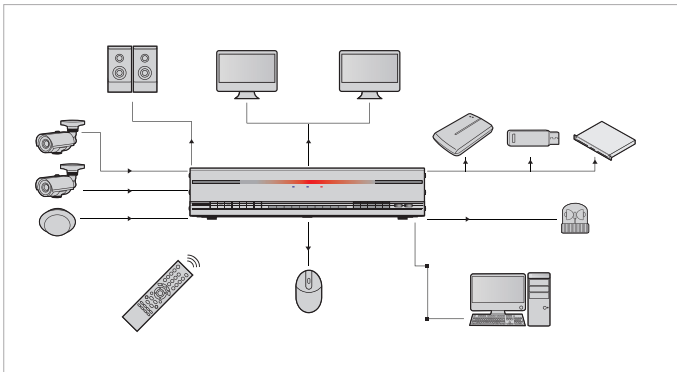
DR-6108P



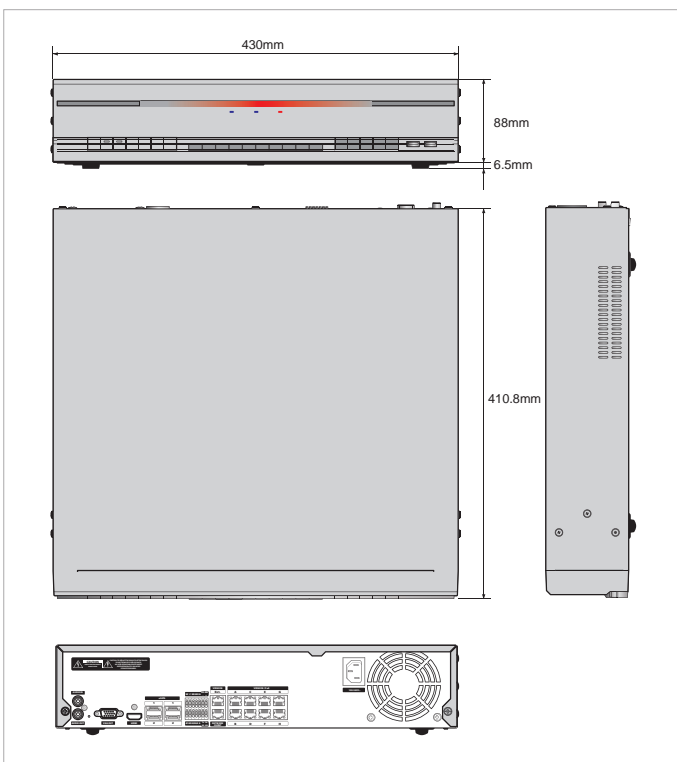
KEY FEATURES

- Total incoming throughput 150Mbps
- Up to 240ips Full HD real-time recording
- Up to 240ips live display
- Easy to install, set-up and play with DirectIP™ cameras
- Built-in 8 Channel Gigabit PoE Switch
- Expandable up to 66TB using eSATA storage
- Supports one click network configuration through FEN Service
- Supports third party cameras (Axis, Panasonic, ONVIF™)

CONNECTION DIAGRAM



DIMENSIONS



SPECIFICATIONS

VIDEO	
Video Inputs	8 IP cameras
Max. Incoming Throughput	150Mbps
Supports Camera	DirectIP™, Axis, Panasonic, ONVIF™
Video Outputs	1 HDMI, 1 VGA OUT
Display Resolutions	1920 x 1200 , 1920 x 1080, 1680 x 1050, 1600 x 1200
Display Speed	Up to 240ips
Digital Zoom	x2 ~ x12
RECORDING	
Max. Throughput	80Mbps, 240ips@Full HD
Recording Resolutions	Up to 3MP (Depending on IP Camera)
Compression	H.264
Recording Modes	Time-Lapse, Event, Pre-event, Panic
Trigger Events	Alarm in, Audio detection, Motion detection Trip-zone, Tampering, Video loss
PLAYBACK	
Performance	4 Channel Full HD synchronous playback
Search Modes	Time-lapse, Event log, Motion, Text-in
Digital Zoom	x2 ~ x12
STORAGE	
HDD	SATA x6, eSATA x4 (Up to 3TB capacity for each disk)
Total Capacity	66TB=3TB x (6 (Internal) + 4x4 (External))
NETWORK	
Client Connection	Gigabit Ethernet (Client) x1
Video in Connection	Gigabit Ethernet (IP Camera) x9
Transmission Speed	20Mbps
Camera Power	PoE (IEEE 802.3at supported) 8 ports, 120W
Remote Data Export	IDIS player, AVI, JPG
Event Notification	Email (attach clip (.cbf) .MP4), Callback to Remote SW Push notification (IDIS Mobile), SNS (Twitter)
Two-way Audio	IDIS Center ~ DC Series
Client Viewer	IDIS Center, IDIS Mobile, IDIS Web
INTERFACE	
Audio In / Out	Local (NVR) : 1 RCA / 1RCA + 1HDMI IP Camera : 8 / 8(Depending on IP Camera)
Alarm In / Out	Local (NVR) : 4 / 1 IP Camera : 8 / 8(Depending on IP Camera)
Alarm Reset In	1
Serial Interface	RS232 (Terminal block), RS485 (Terminal block)
USB	USB 2.0 x2
User Interface	Front buttons, Mouse, IR remote control, Remote Keyboard
GENERAL	
Operating System	Embedded Linux
UNIT Dimensions (W x H x D)	430mm x 88mm x 410.8mm
Unit Weight	6.0kg (with 1 HDD)
Shipping Dimensions (W x H x D)	540mm x 290mm x 585mm
Shipping Weight	9.0kg (with 1 HDD)
Working Temperature	5°C ~ 40°C
Operating Humidity	0% ~ 90%
Power Input	AC 100-240 V, 50/60Hz, 3.0 ~1.5A
Power Consumption	Max. 200W (with 6 HDDs)
Approvals	FCC, UL, CE, CB, KC

OPTIONAL ACCESSORIES



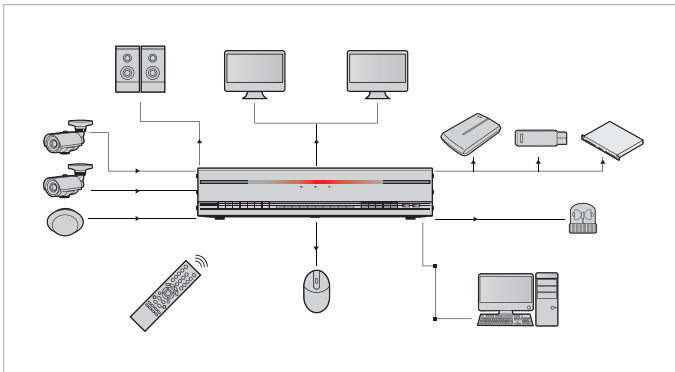
DR-6116P



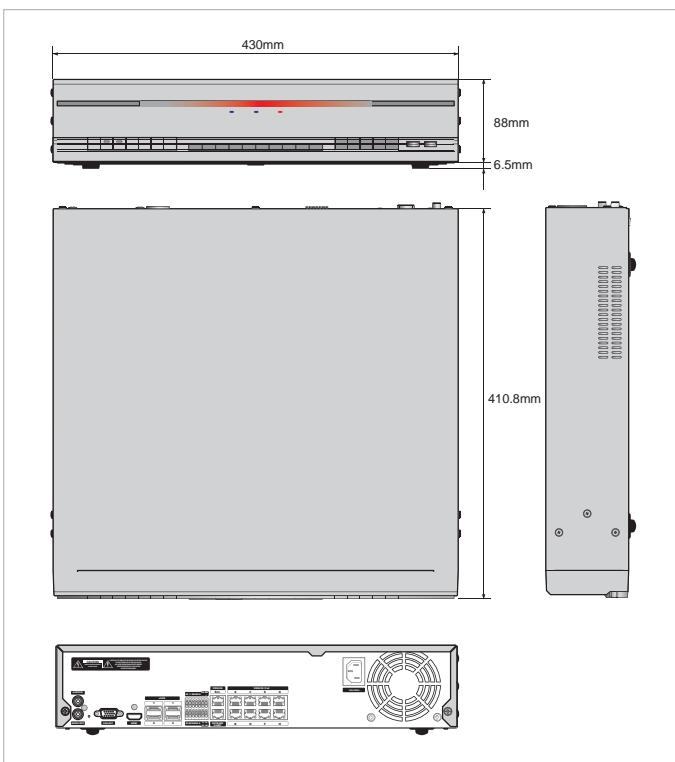
KEY FEATURES

- Total incoming throughput 230Mbps
- Up to 480ips Full HD real-time recording
- Up to 480ips live display
- Easy to install, set-up and play with DirectIP™ cameras
- Built-in 8 Channel Gigabit PoE Switch and expandable up to 16 Channel using DirectIP™ Gigabit PoE Switch
- Expandable up to 66TB using eSATA storage
- Supports one click network configuration through FEN Service
- Supports third party cameras (Axis, Panasonic, ONVIF™)

CONNECTION DIAGRAM



DIMENSIONS



SPECIFICATIONS

VIDEO	
Video Inputs	16 IP cameras
Max. Incoming Throughput	230Mbps
Supports Camera	DirectIP™, Axis, Panasonic, ONVIF™
Video Outputs	1 HDMI, 1 VGA OUT
Display Resolutions	1920 x 1200 , 1920 x 1080, 1680 x 1050, 1600 x 1200
Display Speed	Up to 480ips
Digital Zoom	x2 ~ x12
RECORDING	
Max. Throughput	160Mbps, 480ips@Full HD
Recording Resolutions	Up to 3MP (Depending on IP Camera)
Compression	H.264
Recording Modes	Time-Lapse, Event, Pre-event, Panic
Trigger Events	Alarm in, Audio detection, Motion detection, Trip-zone Tampering, Video loss
PLAYBACK	
Performance	4 Channel Full HD synchronous playback
Search Modes	Time-lapse, Event log, Motion, Text-in
Digital Zoom	x2 ~ x12
STORAGE	
HDD	SATA x6, eSATA x4 (Up to 3TB capacity for each disk)
Total Capacity	66TB=3TB x 6 (Internal) + 4x4 (External))
NETWORK	
Client Connection	Gigabit Ethernet (Client) x1
Video in Connection	Gigabit Ethernet (IP Camera) x9
Transmission Speed	20Mbps
Camera Power	PoE (IEEE 802.3at supported) 8 ports, 120W
Remote Data Export	IDIS player, AVI, JPG
Event Notification	Email (attach clip (.cbf) .MP4), Callback to Remote S/W Push notification (IDIS Mobile), SNS (Twitter)
Two-way Audio	IDIS Center ~ DC Series
Client Viewer	IDIS Center, IDIS Mobile, IDIS Web
INTERFACE	
Audio In / Out	Local (NVR) : 1 RCA / 1RCA + 1HDMI IP Camera : 16 /16 (Depending on IP Camera)
Alarm In / Out	Local (NVR) : 4 / 1 IP Camera : 16 /16 (Depending on IP Camera)
Alarm Reset In	1
Serial Interface	RS232 (Terminal block), RS485 (Terminal block)
USB	USB 2.0 x2
User Interface	Front buttons, Mouse, IR remote control, Remote Keyboard
GENERAL	
Operating System	Embedded Linux
UNIT Dimensions (W x H x D)	430mm x 88mm x 410.8mm
Unit Weight	6.0kg (with 1 HDD)
Shipping Dimensions (W x H x D)	540mm x 290mm x 585mm
Shipping Weight	9.0kg (with 1 HDD)
Working Temperature	5°C ~ 40°C
Operating Humidity	0% ~ 90%
Power Input	AC 100-240 V, 50/60Hz, 3.0 ~ 1.5A
Power Consumption	Max. 200W (with 6 HDDs)
Approvals	FCC, UL, CE, CB, KC

OPTIONAL ACCESSORIES



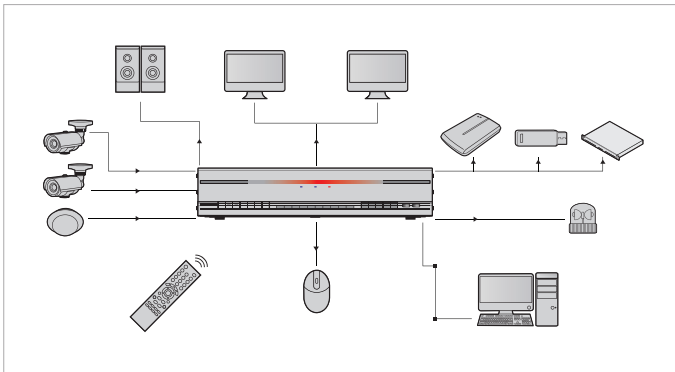
DR-6132P



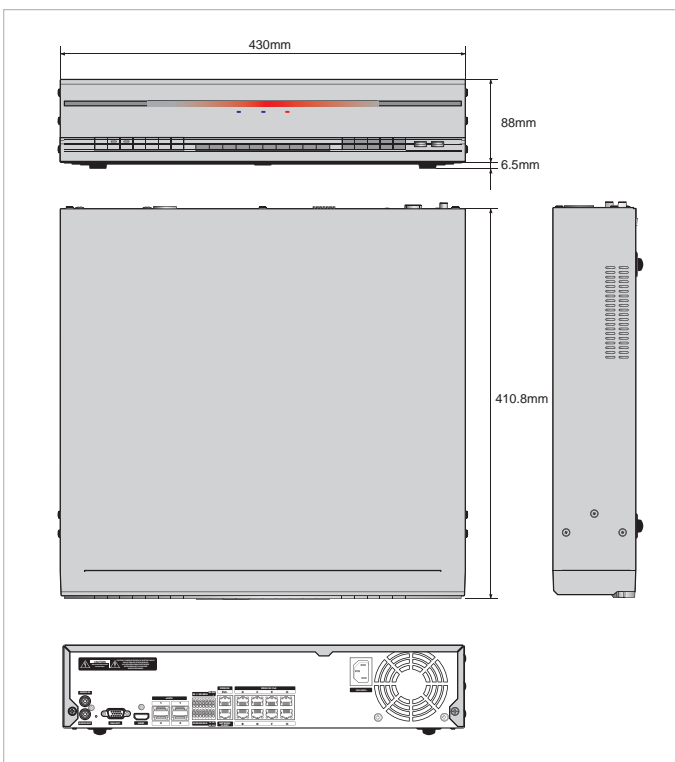
KEY FEATURES

- Total incoming throughput 300Mbps
- Up to 480ips Full HD real-time recording
- Up to 480ips live display
- Easy to install, set-up and play with DirectIP™ cameras
- Built-in 8 Channel Gigabit PoE Switch and expandable up to 32 Channel using DirectIP™ Gigabit PoE Switch
- Expandable up to 66TB using eSATA storage
- Supports one click network configuration through FEN Service
- Supports third party cameras (Axis, Panasonic, ONVIF™)

CONNECTION DIAGRAM



DIMENSIONS



SPECIFICATIONS

VIDEO	
Video Inputs	32 IP cameras
Max. Incoming Throughput	300Mbps
Supports Camera	DirectIP™, Axis, Panasonic, ONVIF™
Video Outputs	1 HDMI, 1 VGA OUT
Display Resolutions	1920 x 1200 , 1920 x 1080, 1680 x 1050, 1600 x 1200
Display Speed	Up to 480ips
Digital Zoom	x2 ~ x12
RECORDING	
Max. Throughput	230Mbps, 480ips@Full HD
Recording Resolutions	Up to 3MP (Depending on IP Camera)
Compression	H.264
Recording Modes	Time-Lapse, Event, Pre-event, Panic
Trigger Events	Alarm in, Audio detection, Motion detection, Trip-zone Tampering, Video loss
PLAYBACK	
Performance	4 Channel Full HD synchronous playback
Search Modes	Time-lapse, Event log, Motion, Text-in
Digital Zoom	x2 ~ x12
STORAGE	
HDD	SATA x6, eSATA x4 (Up to 3TB capacity for each disk)
Total Capacity	66TB=3TB x (6 (Internal) + 4x4 (External))
NETWORK	
Client Connection	Gigabit Ethernet (Client) x1
Video in Connection	Gigabit Ethernet (IP Camera) x9
Transmission Speed	20Mbps
Camera Power	PoE (IEEE 802.3at supported) 8 ports, 120W
Remote Data Export	IDIS player, AVI, JPG
Event Notification	Email (attach clip (.cbf) .MP4), Callback to Remote S/W Push notification (IDIS Mobile), SNS (Twitter)
Two-way Audio	IDIS Center – DC Series
Client Viewer	IDIS Center, IDIS Mobile, IDIS Web
INTERFACE	
Audio In / Out	Local (NVR) : 1 RCA / 1RCA + 1HDMI IP Camera : 32 / 32 (Depending on IP Camera)
Alarm In / Out	Local (NVR) : 4 / 1 IP Camera : 32 / 32 (Depending on IP Camera)
Alarm Reset In	1
Serial Interface	RS232 (Terminal block), RS485 (Terminal block)
USB	USB 2.0 x2
User Interface	Front buttons, Mouse, IR remote control, Remote Keyboard
GENERAL	
Operating System	Embedded Linux
UNIT Dimensions (W x H x D)	430mm x 88mm x 410.8mm
Unit Weight	6.0kg (with 1 HDD)
Shipping Dimensions (W x H x D)	540mm x 290mm x 585mm
Shipping Weight	9.0kg (with 1 HDD)
Working Temperature	5°C ~ 40°C
Operating Humidity	0% ~ 90%
Power Input	AC 100-240 V, 50/60Hz, 3.0 ~ 1.5A
Power Consumption	Max. 200W (with 6 HDDs)
Approvals	FCC, UL, CE, CB, KC

OPTIONAL ACCESSORIES



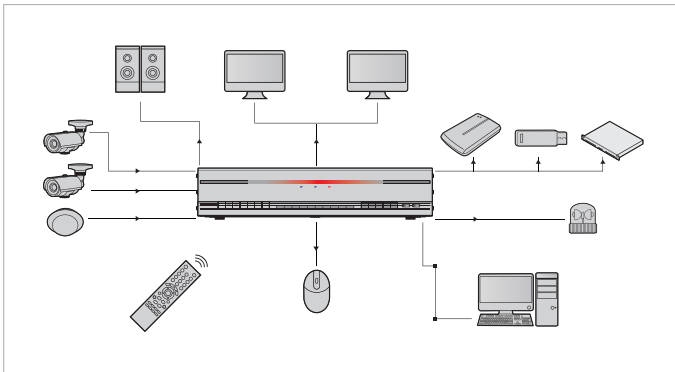
DR-6216P NEW



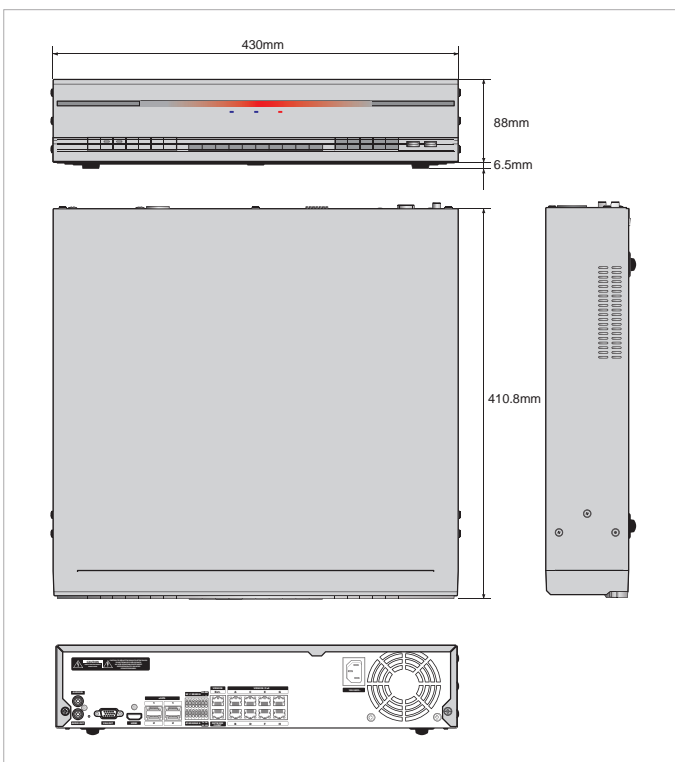
KEY FEATURES

- Total incoming throughput 250Mbps
- Up to 480ips Full HD real-time recording
- Up to 480ips live display
- Easy to install, set-up and play with DirectIP™ cameras
- Built-in 8 Channel Gigabit PoE Switch and expandable up to 16 Channel using DirectIP™ Gigabit PoE Switch
- Expandable up to 66TB using eSATA storage
- Supports one click network configuration through FEN Service
- Supports third party cameras (Axis, Panasonic, ONVIF™)

CONNECTION DIAGRAM



DIMENSIONS



SPECIFICATIONS

VIDEO	
Video Inputs	16 IP cameras
Max. Incoming Throughput	250Mbps
Supports Camera	DirectIP™, Axis, Panasonic, ONVIF™
Video Outputs	1 HDMI, 1 VGA OUT
Display Resolutions	1920 x 1200 , 1920 x 1080, 1680 x 1050, 1600 x 1200
Display Speed	Up to 480ips
Digital Zoom	x2 ~ x12
RECORDING	
Max. Throughput	160Mbps, 480ips@Full HD
Recording Resolutions	Up to 3MP (Depending on IP Camera)
Compression	H.264
Recording Modes	Time-Lapse, Event, Pre-event, Panic
Trigger Events	Alarm in, Audio detection, Motion detection, Trip-zone Tampering, Video loss
PLAYBACK	
Performance	4 Channel Full HD synchronous playback
Search Modes	Time-lapse, Event log, Motion, Text-in
Digital Zoom	x2 ~ x12
STORAGE	
HDD	SATA x6, eSATA x4,(Up to 3TB capacity for each disk) RAID 0, 1, 1+0 supported
Total Capacity	66TB=3TB x (6 (Internal) + 4x4 (External))
NETWORK	
Client Connection	Gigabit Ethernet (Client) x1
Video in Connection	Gigabit Ethernet (IP Camera) x9
Transmission Speed	40Mbps
Camera Power	PoE (IEEE 802.3at supported) 8 ports, 120W
Remote Data Export	IDIS player, AVI, JPG
Event Notification	Email (attach clip (.cbf) .MP4), Callback to Remote S/W Push notification (IDIS Mobile), SNS (Twitter)
Two-way Audio	DIS Center ~ DC Series
Client Viewer	IDIS Center, IDIS Mobile, IDIS Web
INTERFACE	
Audio In / Out	Local (NVR) : 1 RCA / 1RCA + 1HDMI IP Camera : 16 /16 (Depending on IP Camera)
Alarm In / Out	Local (NVR) : 4 / 1 IP Camera : 16 /16 (Depending on IP Camera)
Alarm Reset In	1
Serial Interface	RS232 (Terminal block), RS485 (Terminal block)
USB	USB 2.0 x2
User Interface	Front buttons, Mouse, IR remote control, Remote Keyboard
GENERAL	
Operating System	Embedded Linux
UNIT Dimensions (W x H x D)	430mm x 88mm x 410.8mm
Unit Weight	6.0kg (with 1 HDD)
Shipping Dimensions (W x H x D)	540mm x 290mm x 585mm
Shipping Weight	9.0kg (with 1 HDD)
Working Temperature	5℃ ~ 40℃
Operating Humidity	0% ~ 90%
Power Input	AC 100-240 V, 50/60Hz, 3.0 ~ 1.5A
Power Consumption	Max. 200W (with 6 HDDs)
Approvals	FCC, UL, CE, CB, KC

OPTIONAL ACCESSORIES



DA-ES1104



DH-2112PF

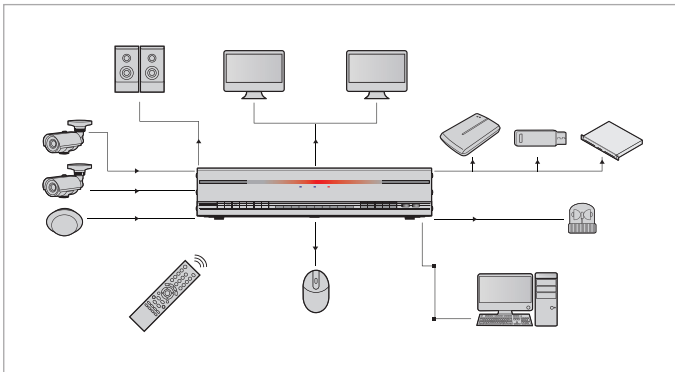
DR-6232P NEW



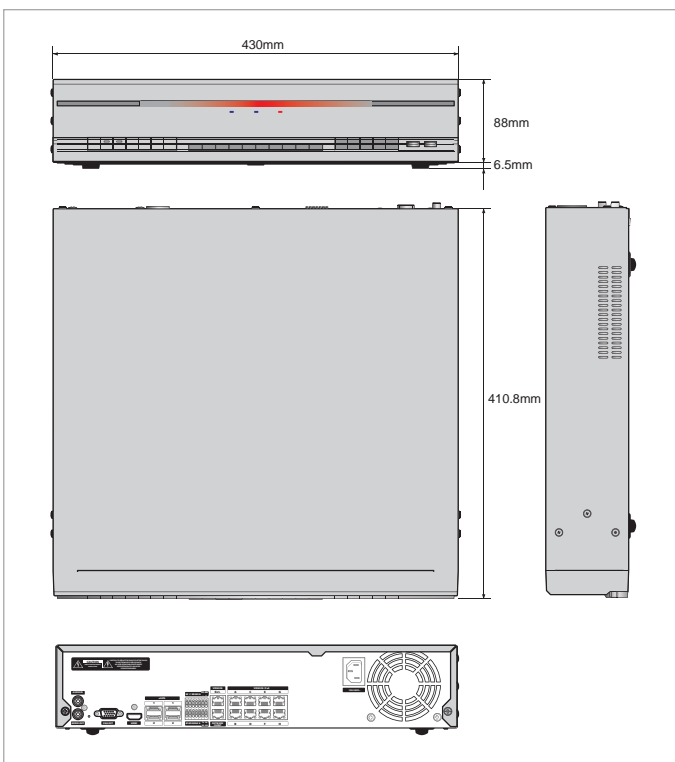
KEY FEATURES

- Total incoming throughput 320Mbps
- Up to 480ips Full HD real-time recording
- Up to 480ips live display
- Easy to install, set-up and play with DirectIP™ cameras
- Built-in 8 Channel Gigabit PoE Switch and expandable up to 32 Channel using DirectIP™ Gigabit PoE Switch
- Expandable up to 66TB using eSATA storage
- Supports one click network configuration through FEN Service
- Supports third party cameras (Axis, Panasonic, ONVIF™)

CONNECTION DIAGRAM



DIMENSIONS



SPECIFICATIONS

VIDEO	
Video Inputs	32 IP cameras
Max. Incoming Throughput	320Mbps
Supports Camera	DirectIP™, Axis, Panasonic, ONVIF™
Video Outputs	1 HDMI, 1 VGA OUT
Display Resolutions	1920 x 1200 , 1920 x 1080, 1680 x 1050, 1600 x 1200
Display Speed	Up to 480ips
Digital Zoom	x2 ~ x12
RECORDING	
Max. Throughput	230Mbps, 480ips@Full HD
Recording Resolutions	Up to 3MP (Depending on IP Camera)
Compression	H.264
Recording Modes	Time-Lapse, Event, Pre-event, Panic
Trigger Events	Alarm in, Audio detection, Motion detection, Trip-zone Tampering, Video loss
PLAYBACK	
Performance	4 Channel Full HD synchronous playback
Search Modes	Time-lapse, Event log, Motion, Text-in
Digital Zoom	x2 ~ x12
STORAGE	
HDD	SATA x6, eSATA x4,(Up to 3TB capacity for each disk) RAID 0, 1, 1+0 supported
Total Capacity	66TB=3TB x (6 (Internal) + 4x4 (External))
NETWORK	
Client Connection	Gigabit Ethernet (Client) x1
Video in Connection	Gigabit Ethernet (IP Camera) x9
Transmission Speed	40Mbps
Camera Power	PoE (IEEE 802.3at supported) 8 ports, 120W
Remote Data Export	IDIS player, AVI, JPG
Event Notification	Email (attach clip (.cbf) .MP4), Callback to Remote S/W Push notification (IDIS Mobile), SNS (Twitter)
Two-way Audio	IDIS Center ~ DC Series
Client Viewer	IDIS Center, IDIS Mobile, IDIS Web
INTERFACE	
Audio In / Out	Local (NVR) : 1 RCA / 1RCA + 1HDMI IP Camera : 32 / 32 (Depending on IP Camera)
Alarm In / Out	Local (NVR) : 4 / 1 IP Camera : 32 / 32 (Depending on IP Camera)
Alarm Reset In	1
Serial Interface	RS232 (Terminal block), RS485 (Terminal block)
USB	USB 2.0 x2
User Interface	Front buttons, Mouse, IR remote control, Remote Keyboard
GENERAL	
Operating System	Embedded Linux
UNIT Dimensions (W x H x D)	430mm x 88mm x 410.8mm
Unit Weight	6.0kg (with 1 HDD)
Shipping Dimensions (W x H x D)	540mm x 290mm x 585mm
Shipping Weight	9.0kg (with 1 HDD)
Working Temperature	5℃ ~ 40℃
Operating Humidity	0% ~ 90%
Power Input	AC 100-240 V, 50/60Hz, 3.0 ~ 1.5A
Power Consumption	Max. 200W (with 6 HDDs)
Approvals	FCC, UL, CE, CB, KC

OPTIONAL ACCESSORIES



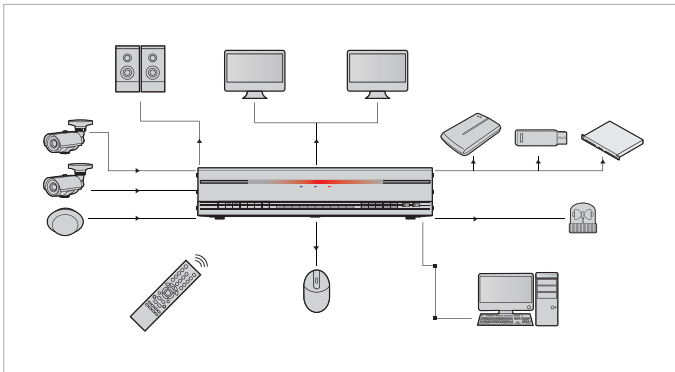
DR-6216PS NEW



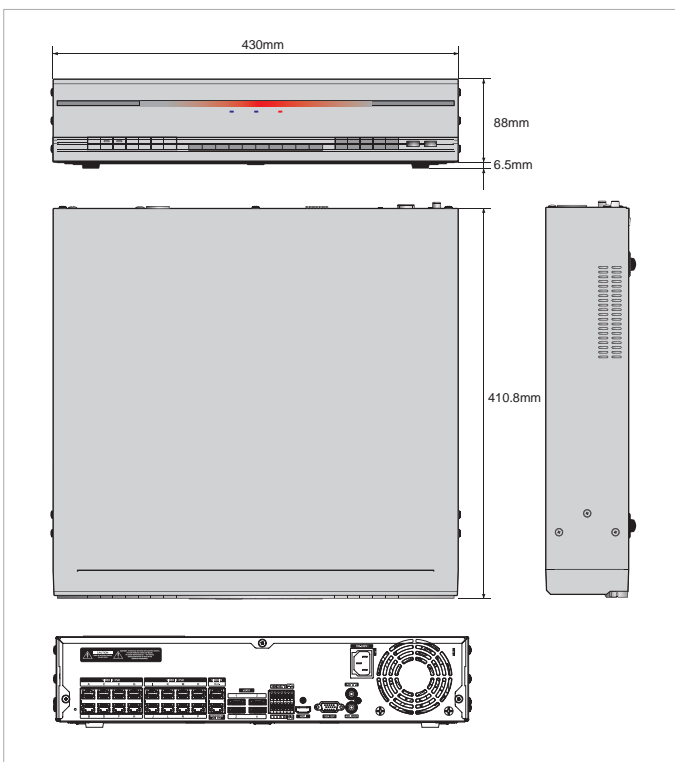
KEY FEATURES

- Total incoming throughput 250Mbps
- Up to 480ips Full HD real-time recording
- Up to 480ips live display
- Easy to install, set-up and play with DirectIP™ cameras
- Built-in 16 channel PoE Switch
- Expandable up to 66TB using eSATA storage
- Supports one click network configuration through FEN Service
- Supports third party cameras (Axis, Panasonic, ONVIF™)

CONNECTION DIAGRAM



DIMENSIONS



SPECIFICATIONS

VIDEO	
Video Inputs	16 IP cameras
Max. Incoming Throughput	250Mbps
Supports Camera	DirectIP™, Axis, Panasonic, ONVIF™
Video Outputs	1 HDMI, 1 VGA OUT
Display Resolutions	1920 x 1200, 1920 x 1080, 1680 x 1050, 1600 x 1200
Display Speed	Up to 480ips
Digital Zoom	x2 ~ x12
RECORDING	
Max. Throughput	160Mbps, 480ips@Full HD
Recording Resolutions	Up to 3MP (Depending on IP Camera)
Compression	H.264
Recording Modes	Time-lapse, Event, Pre-event, Panic
Trigger Events	Alarm in, Audio detection, Motion detection, Trip-zone Tampering, Video loss
PLAYBACK	
Performance	4 Channel Full HD synchronous playback
Search Modes	Time-lapse, Event log, Motion, Text-in
Digital Zoom	x2 ~ x12
STORAGE	
HDD	SATA x6, eSATA x4, (Up to 3TB capacity for each disk) RAID 0, 1, 1+0 supported
Total Capacity	66TB=3TB x 6 (Internal) + 4x4 (External)
NETWORK	
Client Connection	Gigabit Ethernet(Client) x1
Video in Connection	Fast Ethernet(IP Camera) x16 +Gigabit Ethernet (Ext) x1
Transmission Speed	40Mbps
Camera Power	PoE (IEEE 802.3at supported) 8 ports, 120W
Remote Data Export	IDIS player, AVI, JPG
Event Notification	Email (attach clip (.cbf) .MP4), Callback to Remote S/W Push notification (IDIS Mobile), SNS (Twitter)
Two-way Audio	IDIS Center ~ DC Series
Client Viewer	IDIS Center, IDIS Mobile, IDIS Web
INTERFACE	
Audio In / Out	Local (NVR) : 1 RCA / IRCA + 1HDMI IP Camera : 16 /16 (Depending on IP Camera)
Alarm In / Out	Local (NVR) : 4 / 1 IP Camera : 16 /16 (Depending on IP Camera)
Alarm Reset In	1
Serial Interface	RS232 (Terminal block), RS485 (Terminal block)
USB	USB 2.0 x2
User Interface	Front buttons, Mouse, IR remote control, Remote Keyboard
GENERAL	
Operating System	Embedded Linux
UNIT Dimensions (W x H x D)	430mm x 88mm x 410.8mm
Unit Weight	6.0kg (with 1 HDD)
Shipping Dimensions (W x H x D)	540mm x 290mm x 585mm
Shipping Weight	9.0kg (with 1 HDD)
Working Temperature	5℃ ~ 40℃
Operating Humidity	0% ~ 90%
Power Input	AC 100-240 V, 50/60Hz, 3.0 ~ 1.5A
Power Consumption	Max. 200W (with 6 HDDs)
Approvals	FCC, UL, CE, CB, KC

OPTIONAL ACCESSORIES



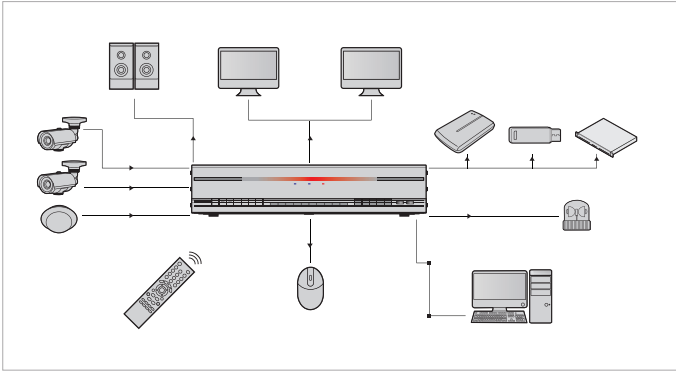
DR-6232PS NEW



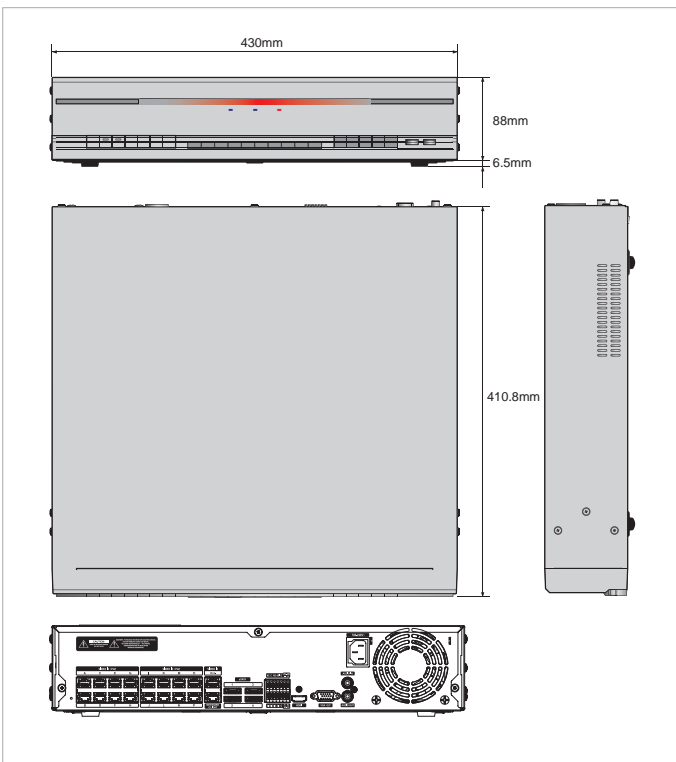
KEY FEATURES

- Total incoming throughput 320Mbps
- Up to 480ips Full HD real-time recording
- Up to 480ips live display
- Easy to install, set-up and play with DirectIP™ cameras
- Built-in 16 channel PoE Switch and expandable up to 32 Channel using DirectIP™ Gigabit PoE Switch
- Expandable up to 66TB using eSATA storage
- Supports one click network configuration through FEN Service
- Supports third party cameras (Axis, Panasonic, ONVIF™)

CONNECTION DIAGRAM



DIMENSIONS



SPECIFICATIONS

VIDEO	
Video Inputs	32 IP cameras
Max. Incoming Throughput	320Mbps
Supports Camera	DirectIP™, Axis, Panasonic, ONVIF™
Video Outputs	1 HDMI, 1 VGA OUT
Display Resolutions	1920 x 1200 , 1920 x 1080, 1680 x 1050, 1600 x 1200
Display Speed	Up to 480ips
Digital Zoom	x2 ~ x12
RECORDING	
Max. Throughput	230Mbps, 480ips@Full HD
Recording Resolutions	Up to 3MP (Depending on IP Camera)
Compression	H.264
Recording Modes	Time-Lapse, Event, Pre-event, Panic
Trigger Events	Alarm in, Audio detection, Motion detection, Trip-zone Tampering, Video loss
PLAYBACK	
Performance	4 Channel Full HD synchronous playback
Search Modes	Time-lapse, Event log, Motion, Text-in
Digital Zoom	x2 ~ x12
STORAGE	
HDD	SATA x6, eSATA x4, (Up to 3TB capacity for each disk) RAID 0, 1, 1+0 supported
Total Capacity	66TB=3TB x (6 (Internal) + 4x4 (External))
NETWORK	
Client Connection	Gigabit Ethernet (Client) x1
Video in Connection	Fast Ethernet (IP Camera) x16 +Gigabit Ethernet (Ext) x1
Transmission Speed	40Mbps
Camera Power	PoE (IEEE 802.3at supported) 8 ports, 120W
Remote Data Export	IDIS player, AVI, JPG
Event Notification	Email (attach clip (.cbf) .MP4), Callback to Remote S/W Push notification (IDIS Mobile), SNS (Twitter)
Two-way Audio	IDIS Center ~ DC Series
Client Viewer	IDIS Center, IDIS Mobile, IDIS Web
INTERFACE	
Audio In / Out	Local (NVR) : 1 RCA / 1RCA + 1HDMI IP Camera : 32 / 32 (Depending on IP Camera)
Alarm In / Out	Local (NVR) : 4 / 1 IP Camera : 32 / 32 (Depending on IP Camera)
Alarm Reset In	1
Serial Interface	RS232 (Terminal block), RS485 (Terminal block)
USB	USB 2.0 x2
User Interface	Front buttons, Mouse, IR remote control, Remote Keyboard
GENERAL	
Operating System	Embedded Linux
UNIT Dimensions (W x H x D)	430mm x 88mm x 410.8mm
Unit Weight	6.0kg (with 1 HDD)
Shipping Dimensions (W x H x D)	540mm x 290mm x 585mm
Shipping Weight	9.0kg (with 1 HDD)
Working Temperature	5℃ ~ 40℃
Operating Humidity	0% ~ 90%
Power Input	AC 100-240 V, 50/60Hz, 3.0 ~ 1.5A
Power Consumption	Max. 200W (with 6 HDDs)
Approvals	FCC, UL, CE, CB, KC

OPTIONAL ACCESSORIES



DA-ES1104



DH-2112PF



One Solution. One Company.

Experience the industry's most comprehensive one-stop-shop surveillance solution.

NETWORK CAMERAS



High resolution network cameras

Quadruple video streaming for real-time IP surveillance




















DirectIP™ network cameras provide high resolution image quality using a mega-pixel image sensor and seamless images by quadruple multimedia data streaming technology. Once you install and connect DirectIP™ network cameras and NVRs, the system will automatically display live video without any configuration. With a wide range of cameras available, you can find a network camera to meet your surveillance and environmental needs.


























NETWORK CAMERAS

CAMERA SELECTION

	MODEL		Max Resolution	Image Sensor	Lens	TDN / WDR	IR LED	Audio In / Out	Alarm In / Out	Outdoor Ready	Input Power
BOX	DC-B1101		1280 x 720	1/2.7" CMOS	Optional (C/CS mount)	-	-	-	-	-	12VDC PoE
	DC-B1103		1280 x 720	1/2.7" CMOS	Optional (C/CS mount)	Yes(ICR)	-	1 / 1	1 / 1	-	12VDC PoE
	DC-B1203		1920 x 1080	1/2.7" CMOS	Optional (C/CS mount)	Yes(ICR)	-	1 / 1	1 / 1	-	12VDC PoE
	DC-B1203X NEW		1920 x 1080	1/2.8" CMOS	Optional (C/CS mount)	Yes(ICR) WDR	-	1 / 1	1 / 1	-	12VDC PoE
	DC-B1303 NEW		2304 x 1296	1/3" CMOS	Optional (C/CS mount)	Yes(ICR)	-	1 / 1	1 / 1	-	12VDC PoE
DOME	DC-D1111		1280 x 720	1/2.7" CMOS	Fixed-focal (f = 4.0mm)	-	-	-	-	-	12VDC PoE
	DC-D1122		1280 x 720	1/2.7" CMOS	Vari-focal (f= 2.8 - 10mm)	Yes(ICR)	-	-	-	-	12VDC PoE
	DC-D1122R		1280 x 720	1/2.7" CMOS	Vari-focal (f= 2.8 - 10mm)	Yes(ICR)	18ea (20m)	-	-	-	12VDC PoE
	DC-D1122W		1280 x 720	1/2.7" CMOS	Vari-focal (f= 2.8 - 10mm)	Yes(ICR)	-	-	-	IP66	12VDC PoE
	DC-D1122WR		1280 x 720	1/2.7" CMOS	Vari-focal (f= 2.8 - 10mm)	Yes(ICR)	18ea (20m)	-	-	IP66	12VDC PoE
	DC-D1123		1280 x 720	1/2.7" CMOS	Vari-focal (f= 2.8 - 10mm)	Yes(ICR)	-	1 / 1	1 / 1	-	12VDC PoE
	DC-D1123R		1280 x 720	1/2.7" CMOS	Vari-focal (f= 2.8 - 10mm)	Yes(ICR)	18ea (20m)	1 / 1	1 / 1	-	12VDC PoE
	DC-D1123W		1280 x 720	1/2.7" CMOS	Vari-focal (f= 2.8 - 10mm)	Yes(ICR)	-	1 / 1	1 / 1	IP66	12VDC PoE
	DC-D1123WR		1280 x 720	1/2.7" CMOS	Vari-focal (f= 2.8 - 10mm)	Yes(ICR)	18ea (20m)	1 / 1	1 / 1	IP66	12VDC PoE
	DC-D1212R		1920 x 1080	1/2.7" CMOS	Fixed-focal (f = 4.3mm)	Yes(ICR)	16ea (10m)	-	-	-	PoE
	DC-D1223		1920 x 1080	1/2.7" CMOS	Vari-focal (f= 3 - 9mm)	Yes(ICR)	-	1 / 1	1 / 1	-	12VDC PoE
	DC-D1223R		1920 x 1080	1/2.7" CMOS	Vari-focal (f= 3 - 9mm)	Yes(ICR)	18ea (20m)	1 / 1	1 / 1	-	12VDC PoE
	DC-D1223W		1920 x 1080	1/2.7" CMOS	Vari-focal (f= 3 - 9mm)	Yes(ICR)	-	1 / 1	1 / 1	IP66	12VDC PoE
	DC-D1223WR		1920 x 1080	1/2.7" CMOS	Vari-focal (f= 3 - 9mm)	Yes(ICR)	18ea (20m)	1 / 1	1 / 1	IP66	12VDC PoE
	DC-D1223WHR		1920 x 1080	1/2.7" CMOS	Vari-focal (f= 3 - 9mm)	Yes(ICR)	18ea (20m)	1 / 1	1 / 1	IP66 Heater	12VDC PoE
DC-D1223WX NEW		1920 x 1080	1/2.8" CMOS	Vari-focal (f= 3 - 9mm)	Yes(ICR) WDR	-	1/1	1 / 1	IP66	12VDC PoE	

	MODEL		Max Resolution	Image Sensor	Lens	TDN / WDR	IR LED	Audio In / Out	Alarm In / Out	Outdoor Ready	Input Power
DOME	DC-D1323R		2304 x 1296	1/3" CMOS	Vari-focal (f= 3 - 9mm)	Yes(ICR)	18ea (20m)	1 / 1	1 / 1	-	12VDC PoE
	DC-D1323WHR		2304 x 1296	1/3" CMOS	Vari-focal (f= 3 - 9mm)	Yes(ICR)	18ea (20m)	1 / 1	1 / 1	IP66 Heater	12VDC PoE
	DC-D2233	NEW 	1920 x 1080	1/2.8" CMOS	MFZ (f= 3.3 - 10mm)	Yes(ICR)	-	1 / 1	1 / 1	-	12VDC PoE
	DC-D2233R	NEW 	1920 x 1080	1/2.8" CMOS	MFZ (f= 3.3 - 10mm)	Yes(ICR)	28ea (20m)	1 / 1	1 / 1	-	12VDC PoE
	DC-D2233W	NEW 	1920 x 1080	1/2.8" CMOS	MFZ (f= 3.3 - 10mm)	Yes(ICR)	-	1 / 1	1 / 1	IP66	12VDC PoE
	DC-D2233WR	NEW 	1920 x 1080	1/2.8" CMOS	MFZ (f= 3.3 - 10mm)	Yes(ICR)	28ea (20m)	1 / 1	1 / 1	IP66	12VDC PoE
	DC-D2233WHR	NEW 	1920 x 1080	1/2.8" CMOS	MFZ (f= 3.3 - 10mm)	Yes(ICR)	28ea (20m)	1 / 1	1 / 1	IP66 Heater	12VDC PoE
	DC-D1223F		1920 x 1080	1/2.7" CMOS	Vari-focal (f= 3 - 9mm)	Yes(ICR)	-	1 / 1	1 / 1	-	12VDC PoE
	DC-D1223FR		1920 x 1080	1/2.7" CMOS	Vari-focal (f= 3 - 9mm)	Yes(ICR)	18ea (20m)	1 / 1	1 / 1	-	12VDC PoE
	DC-F1111		1280 x 720	1/4" CMOS	Fixed Lens (f=2.8mm)	Yes(ICR)	-	-	-	-	PoE
	DC-F1211		1920 x 1080	1/2.7" CMOS	Fixed-focal (f = 4.0mm)	Yes(ICR)	-	-	-	-	PoE
SPEED DOME	DC-S1163WH		1280 x 720	1/2.8" CMOS	AF Zoom Lens (f=4.7 - 84.6mm)	Yes(ICR)	-	1 / 1	1 / 1	IP66 Heater	12VDC 24VAC PoE
	DC-S1263WH		1920 x 1080	1/2.8" CMOS	AF Zoom Lens (f=4.7 - 84.6mm)	Yes(ICR)	-	1 / 1	1 / 1	IP66 Heater	12VDC 24VAC PoE
	DC-S1263F		1920 x 1080	1/2.8" CMOS	AF Zoom Lens (f=4.7 - 84.6mm)	Yes(ICR)	-	1 / 1	1 / 1	-	12VDC 24VAC PoE
BULLET	DC-T1232WR		1920 x 1080	1/2.8" CMOS	MFZ (f=3 ~ 9mm)	Yes(ICR)	42ea (30m)	-	-	IP66	12VDC PoE
	DC-T1233WHR		1920 x 1080	1/2.8" CMOS	MFZ (f=3 ~ 9mm)	Yes(ICR)	42ea (30m)	1 / 1	1 / 1	IP66 Heater	12VDC PoE
	DC-T1234WR		1920 x 1080	1/2.8" CMOS	MFZ (f=3 ~ 9mm)	Yes(ICR)	24ea (30m)	-	0 / 1	IP66	12VDC PoE
	DC-E1112WR		1280 x 720	1/2.7" CMOS	Fixed-focal (f=4.0mm)	Yes(ICR)	24ea (10m)	-	-	IP66	PoE
	DC-E1212WR		1920 x 1080	1/2.7" CMOS	Fixed-focal (f=4.0mm)	Yes(ICR)	24ea (10m)	-	-	IP66	PoE
ZOOM	DC-Z1163		1280 x 720	1/2.8" CMOS	AF, Vari-focal (f=4.7 ~ 84.6mm)	Yes(ICR)	-	1 / 1	1 / 1	-	12VDC 24VAC PoE
	DC-Z1263		1920 x 1080	1/2.8" CMOS	AF, Vari-focal (f=4.7 ~ 84.6mm)	Yes(ICR)	-	1 / 1	1 / 1	-	12VDC 24VAC PoE

CAMERA Technologies

Zero Configuration (Plug & Play)

DirectIP IP cameras feature an array of advanced network technology which provides industry's unique, true plug and play installation which eliminates the need for costly installation and integration support.

DirectIP Protocols

DirectIP IP cameras provide true plug and play installation with IDIS's proprietary, automated set of protocols including AutoIP, Multicast DNS and DNS Service Directory techniques.

FEN (For Every Network)

IDIS FEN is an automated network configuration service which simplifies installation of networked surveillance systems. FEN enables users to set up and configure surveillance systems without knowledge of Network Address Translation routers on the network and their configurations. It ensures connections between video surveillance devices regardless of network environment.

IP without the PC

DirectIP's "IP without the PC" concept permits simple installation and configuration and allowing instant streaming once connected. Once connected to network keyboard and mouse, DirectIP NVR can handle device configuration, digital video matrix, and video wall display without any PC. Furthermore, DirectIP only allows minimal delay of about 300ms which is similar level to that of HD-SDI solutions and outpaces most IP surveillance solutions in the market.

True WDR (Wide Dynamic Range)

For those with challenging lighting condition such as backlight, high contrast and light reflection, objects will appear dark and unrecognizable. IDIS's 'True WDR' technology ensures identifiable images under extreme lighting condition by combining optimal shutter exposure for both dark and bright areas.



WDR ON



WDR OFF

HSBLC (High Suppression Backlight Compensation)

HSBLC helps resolve detail in darker areas even when bright objects are in view. Highlight suppression goes further, darkening full white areas allowing connected CCTV equipment to achieve optimum video quality.



HSBLC OFF



HSBLC ON

PoE (Power over Ethernet)

DirectIP IP cameras support seamless power supply over Ethernet cable without any degrading network performance and reach. Combined with DirectIP's 'true plug and play' feature, PoE enables instant identification and activation of IP cameras upon their physical connection. All DirectIP NVRs and PoE switches compliance both IEEE802.3af and IEEE802.3at standard which makes them capable of powering most IP cameras as well as high power-consuming devices such as PTZ domes.

Quadruple Video Streams

DirectIP cameras feature quadruple stream technology to enhance its live monitoring quality. By allowing 2 separate streams for live monitoring (i.e. Live 1 for full screen and 2x2; Live 2 for 3x3, 4x4 and 6x6), DirectIP cameras provide unrivalled quality of live monitoring that no other IP surveillance solution can achieve.

IDIS MOBILE APPLICATION

The network security system is implemented by mobile application, enabling remote control and monitoring.

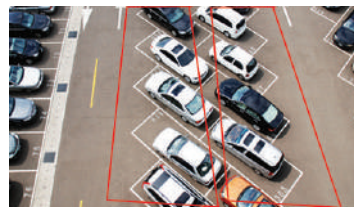
Intelligent Video Analytics

Intelligent video analytics can be used for efficient monitoring. Each range of cameras features a different set of analytics.



Tampering

Detects and automatically alerts when a camera's field of view is changed.



Trip Zone

Detects an object crossing a line or areas in a predefined area.



Motion Detection

Detects any change occurring in predefined fields of view.



Audio Detection

Detects any abnormal sound by volume.

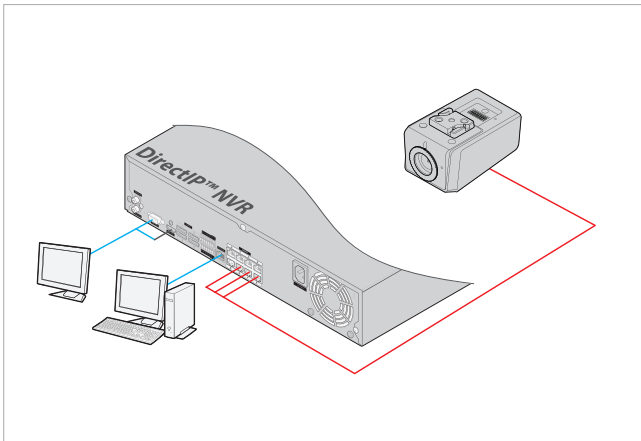
DC-B1101



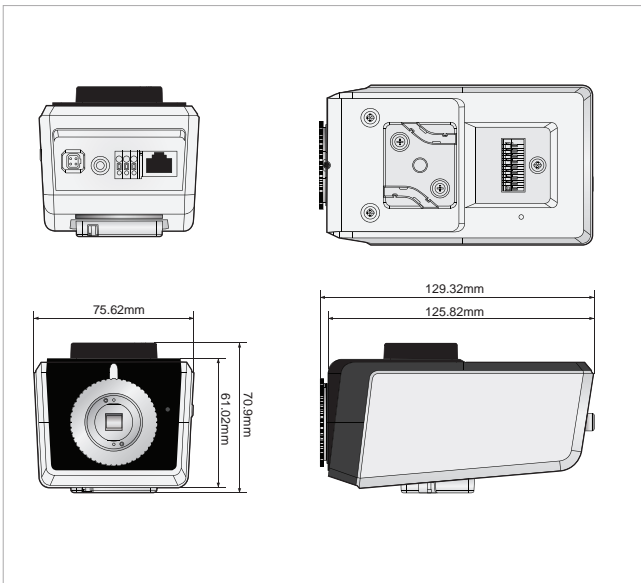
KEY FEATURES

- Easy installation with DirectIP NVR
- HD (720p) resolution
- PoE (IEEE 802.3af Class 2), 12V DC
- Supports ONVIF

CONNECTION DIAGRAM



DIMENSIONS



SPECIFICATIONS

VIDEO		
Image Sensor	1/2.7" CMOS	
Max. Resolution	1280 x 720	
Scanning Mode	Progressive Scan	
Lens	Optional (C/CS mount)	
IRIS Control	DC Auto Iris / Manual IRIS	
Min. Illumination	COLOR : 0.7 lux @ F1.3 B/W : 0.8 lux @ F1.3	
S/N Ratio	more than 45dB	
Dynamic Range	more than 70dB (90dB@digital WDR)	
Electronic Shutter Speed	Auto / Manual (1/30 ~ 1/8000), Anti-Flicker, Slow Shutter(1/7.5,1/15)	
True Day & Night	-	
Video Quality Compensation	Auto Expose, Auto White Balance, Digital Noise Reduction, Backlight Compensation, HSBC	
Privacy Masking	16 Zones	
Intelligent Video	Video Motion Detection, Active Tampering Alarm, Trip Zone	
Video Out	1 RCA	
NETWORK		
	DirectIP Mode	Compatibility Mode
Video Compression	H.264(MP), M-JPEG	
Bitrate Control	H.264 - CBR / VBR	
Max. Frame Rate	30fps : 1280 x 720	
Audio Compression	-	
Two-way Audio	-	
IP Camera Protocol	DirectIP	IDIS ONVIF Profile S
Supported Resolution	1280x720, 704x480, 640x360 352x240	1280x720, 704x480, 352x240
Multi-Video Streaming	Quadruple streaming	Triple streaming
Network Protocols	Direct IP Protocol	RTP/RTSP/TCP, RTP/RTSP/HTTP/TCP, RTP/UDP RTSP/TCP, HTTP, HTTPS, FTP, SNTp, SMTP, FEN, mDNS, uPNP
Security	SSL Encryption	Multi-User Authority, IEEE 802.1x IP Filtering, HTTPS, SSL Encryption
Remote Access Client	DirectIP™ NVR connection	IDIS Web, IDIS Mobile, IDIS Solution Suite
Ethernet	RJ45(10/100BASE-T)	
Memory Slot	-	
ALARM & EVENT		
Trigger Event	Motion Detection, Tampering, TripZone	
Event Buffering (Pre & Post)	yes (up to 60MB)	
Event Notification	Remote S/W, Email (with Image)	
Audio In/ Out	-	
Alarm In/ Out	-	
ENVIRONMENTAL		
Vandal-proof Casing	-	
Out-door Ready	-	
Operating Temperature	-10 ~ 50°C (Starting up: Above 0°C)	
Operating Humidity	0% ~ 90%	
ELECTRICAL		
Power Source	12VDC, PoE (IEEE802.3af class 2)	
Power Consumption	4.8W	
Approval	FCC, CE (50130-4), KC	
MECHANICAL		
Unit Dimensions (mm)	75.62mm x 70.90mm x 129.32mm	
Unit Weight (kg)	0.4 kg	

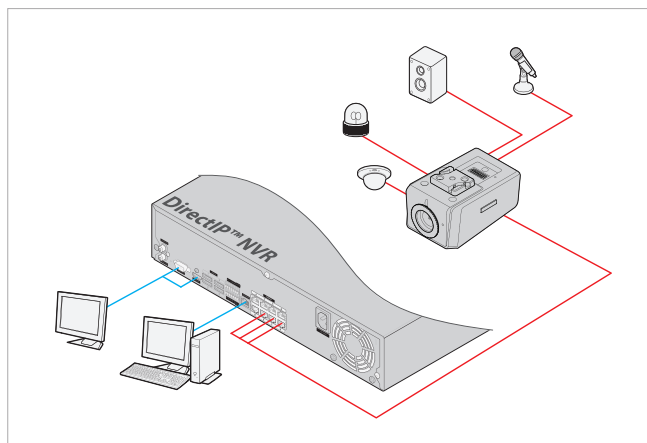
DC-B1103



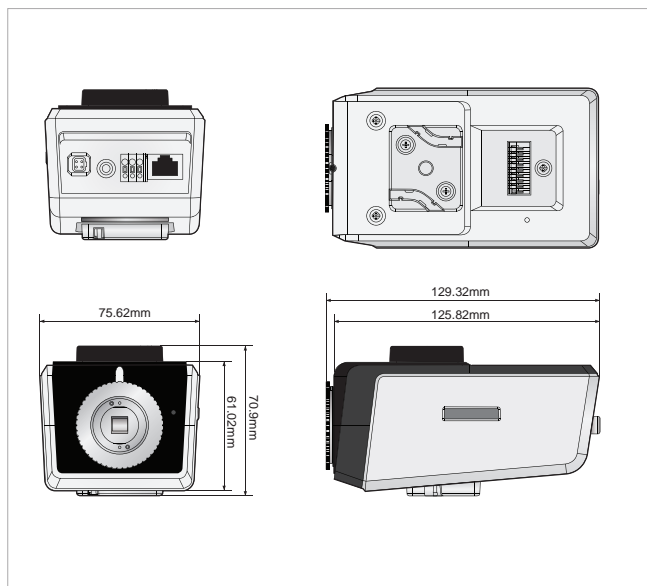
KEY FEATURES

- Easy installation with DirectIP NVR
- HD (720p) resolution
- SD (SDHC) memory slot
- Two-way audio
- Alarm in / out
- True Day & Night (ICR)
- PoE (IEEE 802.3af Class 2), 12V DC
- Supports ONVIF

CONNECTION DIAGRAM



DIMENSIONS



SPECIFICATIONS

VIDEO		
Image Sensor	1/2.7" CMOS	
Max. Resolution	1280 x 720	
Scanning Mode	Progressive Scan	
Lens	Optional (C/CS mount)	
IRIS Control	DC Auto Iris / Manual IRIS	
Min. Illumination	COLOR : 0.08 lux @ F1.3 B/W : 0.08 lux @ F1.3	
S/N Ratio	more than 45dB	
Dynamic Range	more than 70dB (90dB@digital WDR)	
Electronic Shutter Speed	Auto / Manual (1/30 ~ 1/8000), Anti-Flicker, Slow Shutter(1/7.5,1/15)	
True Day & Night	Yes (ICR)	
Video Quality Compensation	Auto Expose, Auto White Balance, Digital Noise Reduction, Backlight Compensation, HSBC	
Privacy Masking	16 Zones	
Intelligent Video	Video Motion Detection, Active Tampering Alarm, Trip Zone	
Video Out	1 RCA	
NETWORK		
	DirectIP Mode	Compatibility Mode
Video Compression	H.264(MP), M-JPEG	
Bitrate Control	H.264 - CBR / VBR	
Max. Frame Rate	30fps : 1280 x 720	
Audio Compression	G.726, G.711	
Two-way Audio	Yes	
IP Camera Protocol	DirectIP	IDIS ONVIF Profile S
Supported Resolution	1280x720, 704x480, 640x360 352x240	1280x720, 704x480, 352x240
Multi-Video Streaming	Quadruple streaming	Triple streaming
Network Protocols	Direct IP Protocol	RTP/RTSP/TCP, RTP/RTSP/HTTP/TCP, RTP/UDP RTSP/TCP, HTTP, HTTPS, FTP, SNTp, SMTP, FEN, mDNS, uPNP
Security	SSL Encryption	Multi-User Authority, IEEE 802.1x IP Filtering, HTTPS, SSL Encryption
Remote Access Client	DirectIP™ NVR connection	IDIS Web, IDIS Mobile, IDIS Solution Suite
Ethernet	RJ45(10/100BASE-T)	
Memory Slot	Micro SD (SDHC)	
ALARM & EVENT		
Trigger Event	Motion Detection, Alarm in, Audio detection, Tampering, TripZone	
Event Buffering (Pre & Post)	yes (up to 60MB)	
Event Notification	Remote S/W, Email (with Image)	
Audio In/ Out	1 (Line in) + 1 (Internal Mic) / 1 (Line out)	
Alarm In/ Out	1 / 1	
ENVIRONMENTAL		
Vandal-proof Casing	-	
Out-door Ready	-	
Operating Temperature	-10 ~ 50°C (Starting up: Above 0°C)	
Operating Humidity	0% ~ 90%	
ELECTRICAL		
Power Source	12VDC, PoE(IEEE802.3af class 2)	
Power Consumption	4.8W	
Approval	FCC, CE(50130-4), KC	
MECHANICAL		
Unit Dimensions (mm)	75.62mm x 70.90mm x 129.32mm	
Unit Weight (kg)	0.4 kg	

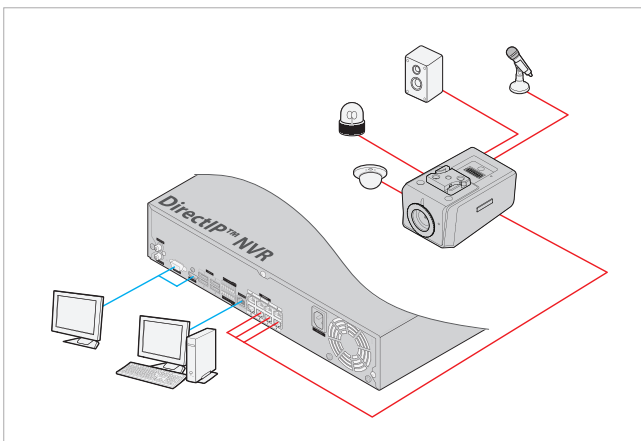
DC-B1203



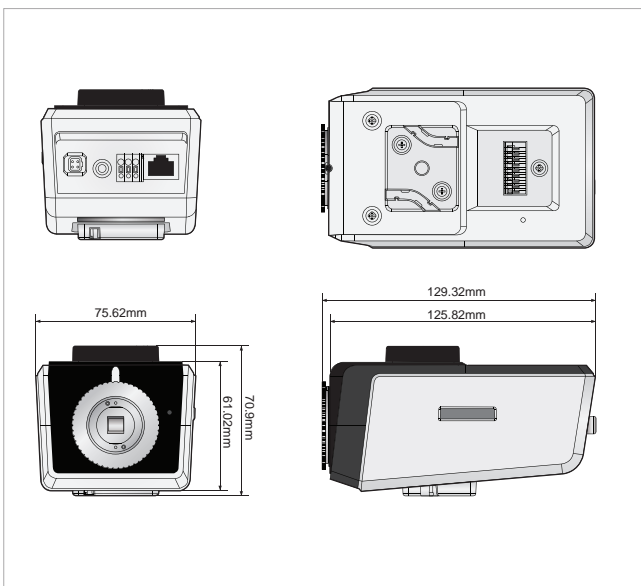
KEY FEATURES

- Easy installation with DirectIP NVR
- Full HD(1080p) resolution
- Micro SD (SDHC) memory slot
- Two-way audio
- Alarm in / out
- True Day & Night (ICR)
- PoE (IEEE 802.3af Class 2), 12V DC
- Supports ONVIF

CONNECTION DIAGRAM



DIMENSIONS

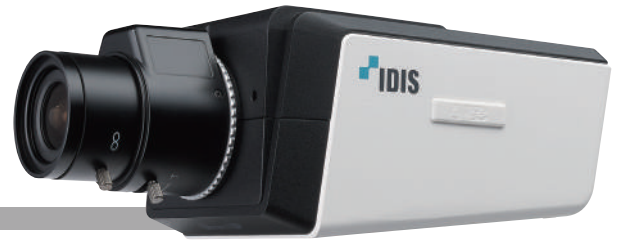


SPECIFICATIONS

VIDEO		
Image Sensor	1/2.7" CMOS	
Max. Resolution	1920 x 1080	
Scanning Mode	Progressive Scan	
Lens	Optional (C/CS mount)	
IRIS Control	DC Auto Iris / Manual IRIS	
Min. Illumination	COLOR : 0.08 lux @ F1.3 B/W : 0.08 lux @ F1.3	
S/N Ratio	more than 45dB	
Dynamic Range	more than 70dB (90dB@digital WDR)	
Electronic Shutter Speed	Auto / Manual (1/30 ~ 1/8000), Anti-Flicker, Slow Shutter(1/7.5,1/15)	
True Day & Night	Yes (ICR)	
Video Quality Compensation	Auto Expose, Auto White Balance, Digital Noise Reduction, Backlight Compensation, HSBLC	
Privacy Masking	16 Zones	
Intelligent Video	Video Motion Detection, Active Tampering Alarm, Trip Zone	
Video Out	1 RCA	
NETWORK		
	DirectIP Mode	Compatibility Mode
Video Compression	H.264(MP), M-JPEG	IDIS
Bitrate Control	H.264 - CBR / VBR	ONVIF Profile S
Max. Frame Rate	30fps : 1920 x 1080	1920x1080, 1280x720, 704x480, 352x240
Audio Compression	G.726, G.711	Triple streaming
Two-way Audio	Yes	RTP/RTSP/TCP, RTP/RTSP/HTTP/TCP, RTP/UDP RTSP/TCP, HTTP, HTTPS, FTP, SNTp, SMTP, FEN, mDNS, uPNP
IP Camera Protocol	DirectIP	Multi-User Authority, IEEE 802.1x IP Filtering, HTTPS, SSL Encryption
Supported Resolution	1920x1080, 1280x720, 704x480, 640x360, 352x240	IDIS Web, IDIS Mobile, IDIS Solution Suite
Multi-Video Streaming	Quadruple streaming	
Network Protocols	Direct IP Protocol	
Security	SSL Encryption	
Remote Access Client	DirectIP™ NVR connection	
Ethernet	RJ45(10/100BASE-T)	
Memory Slot	Micro SD (SDHC)	
ALARM & EVENT		
Trigger Event	Motion Detection, Alarm in, Audio detection, Tampering, TripZone	
Event Buffering (Pre & Post)	yes (up to 60MB)	
Event Notification	Remote S/W, Email (with Image)	
Audio In/ Out	1 (Line in) + 1 (Internal Mic) / 1 (Line out)	
Alarm In/ Out	1 / 1	
ENVIRONMENTAL		
Vandal-proof Casing	-	
Out-door Ready	-	
Operating Temperature	-10 ~ 50°C (Starting up: Above 0°C)	
Operating Humidity	0% ~ 90%	
ELECTRICAL		
Power Source	12VDC, PoE(IEEE802.3af class 2)	
Power Consumption	4.8W	
Approval	FCC, CE(50130-4), KC	
MECHANICAL		
Unit Dimensions(mm)	75.62mm x 70.90mm x 129.32mm	
Unit Weight (kg)	0.4 kg	

Full HD Box Camera

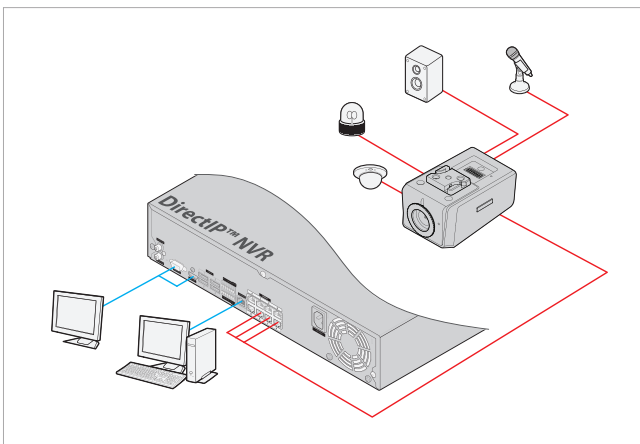
DC-B1203X NEW



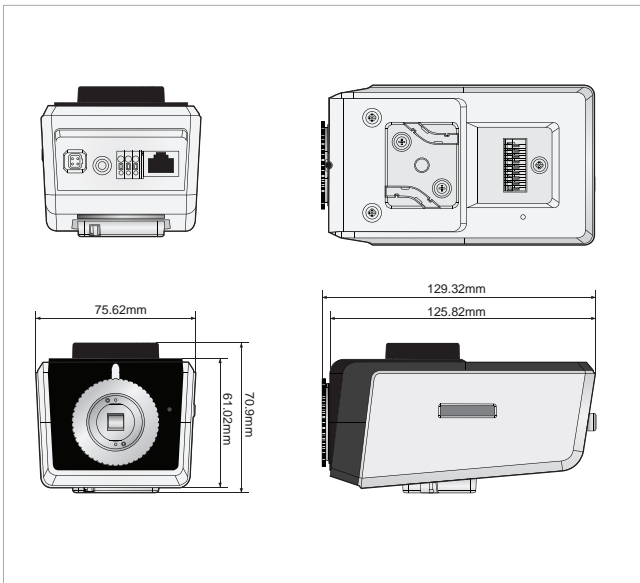
KEY FEATURES

- Easy installation with DirectIP NVR
- Full HD(1080p) resolution
- True WDR (Wide Dynamic Range)
- DIS (Digital Image Stabilizer)
- Micro SD (SDHC) memory slot
- Two-way audio
- Alarm in / out
- True Day & Night (ICR)
- PoE (IEEE 802.3af Class 2), 12V DC
- Supports ONVIF

CONNECTION DIAGRAM



DIMENSIONS



SPECIFICATIONS

VIDEO		
Image Sensor	1/2.8" CMOS	
Max. Resolution	1920 x 1080	
Scanning Mode	Progressive Scan	
Lens	Optional (C/CS mount)	
IRIS Control	DC Auto Iris / Manual IRIS	
Min. Illumination	COLOR : 0.01 lux @ F1.2 B/W : 0.002 lux @ F1.2	
S/N Ratio	more than 45dB	
Dynamic Range	108 dB (True WDR)	
Electronic Shutter Speed	Auto / Manual (1/30 ~ 1/10000), Anti-Flicker, Slow Shutter(1/7.5, 1/15)	
True Day & Night	Yes (ICR)	
Video Quality Compensation	Auto Expose, Auto White Balance, Digital Noise Reduction, WDR	
Image Stabilizer	Yes	
Privacy Masking	16 Zones	
Intelligent Video	Video Motion Detection, Active Tampering Alarm	
Video Out	1 RCA	
NETWORK		
	DirectIP Mode	Compatibility Mode
Video Compression	H.264(MP), M-JPEG	
Bitrate Control	H.264 - CBR / VBR	
Max. Frame Rate	30fps : 1920 x 1080	
Audio Compression	G.726, G.711	
Two-way Audio	Yes	
IP Camera Protocol	DirectIP	IDIS ONVIF Profile S
Supported Resolution	1920x1080, 1280x720, 704x480, 640x360, 352x240	1920x1080, 1280x720, 704x480, 352x240
Multi-Video Streaming	Quadruple streaming	Triple streaming
Network Protocols	Direct IP Protocol	RTP/RTSP/TCP, RTP/RTSP/HTTP/TCP, RTP/UDP RTSP/TCP, HTTP, HTTPS, FTP, SNTp, SMTP, FEN, mDNS, uPNP
Security	SSL Encryption	Multi-User Authority, IEEE 802.1x IP Filtering, HTTPS, SSL Encryption
Remote Access Client	DirectIP™ NVR connection	IDIS Web, IDIS Mobile, IDIS Solution Suite
Ethernet	RJ45 (10/100BASE-T)	
Memory Slot	Micro SD (SDHC)	
ALARM & EVENT		
Trigger Event	Motion Detection, Alarm in, Audio detection, Tampering	
Event Buffering (Pre & Post)	yes (up to 60MB)	
Event Notification	Remote S/W, Email (with Image)	
Audio In/ Out	1 (Line in) + 1 (Internal Mic) / 1 (Line out)	
Alarm In/ Out	1 / 1	
ENVIRONMENTAL		
Vandal-proof Casing	-	
Out-door Ready	-	
Operating Temperature	-10 ~ 50°C (Starting up: Above 0°C)	
Operating Humidity	0% ~ 90%	
ELECTRICAL		
Power Source	12VDC, PoE (IEEE802.3af class 2)	
Power Consumption	5.5W	
Approval	FCC, CE(50130-4), KC	
MECHANICAL		
Unit Dimensions(mm)	75.62mm x 70.90mm x 129.32mm	
Unit Weight (kg)	0.4kg	

3Megapixel Full HD Box Camera

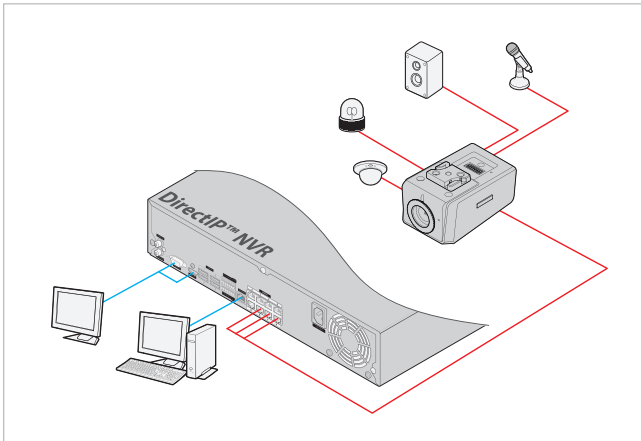
DC-B1303 NEW



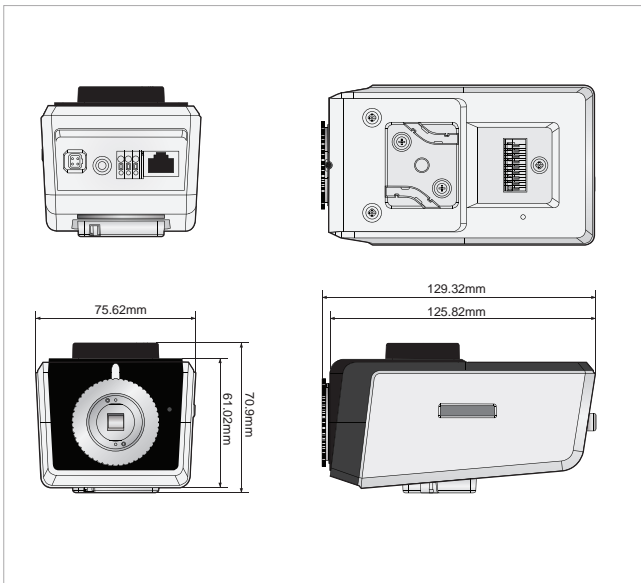
KEY FEATURES

- Easy installation with DirectIP NVR
- Max 3M (2304 x 1296), 16:9 Full HD(1080p) resolution
- Micro SD (SDHC) memory slot
- Two-way audio
- Alarm in / out
- True Day & Night (ICR)
- PoE (IEEE 802.3af Class 2), 12V DC
- Supports ONVIF

CONNECTION DIAGRAM



DIMENSIONS



SPECIFICATIONS

VIDEO		
Image Sensor	1/3" CMOS	
Max. Resolution	2304x1296	
Scanning Mode	Progressive Scan	
Lens	Optional (C/CS mount)	
IRIS Control	DC Auto Iris / Manual IRIS	
Min. Illumination	COLOR : 0.4 lux @ F1.4 B/W : 0.01 lux @ F1.4	
S/N Ratio	more than 45dB	
Dynamic Range	more than 70dB (90dB@digital WDR)	
Electronic Shutter Speed	Auto / Manual (1/30 ~ 1/8000), Anti-Flicker, Slow Shutter(1/7.5,1/15)	
True Day & Night	Yes (ICR)	
Video Quality Compensation	Auto Expose, Auto White Balance, Digital Noise Reduction, Backlight Compensation, HSBC	
Privacy Masking	16 Zones	
Intelligent Video	Video Motion Detection, Active Tampering Alarm, Trip Zone	
Video Out	1 RCA	
NETWORK		
	DirectIP Mode	Compatibility Mode
Video Compression	H.264(MP), M-JPEG	
Bitrate Control	H.264 - CBR / VBR	
Max. Frame Rate	15fps : 2304 x 1296 30fps : 1920 x 1080	
Audio Compression	G.726, G.711	
Two-way Audio	Yes	
IP Camera Protocol	DirectIP	IDIS ONVIF Profile S
Supported Resolution	2304x1296, 1920x1080, 1280x720, 704x480, 640x360, 352x240	2304x1296, 1920x1080, 1280x720, 704x480, 352x240
Multi-Video Streaming	Quadruple streaming	Triple streaming
Network Protocols	Direct IP Protocol	RTP/RTSP/TCP, RTP/RTSP/HTTP/TCP, RTP/UDP RTSP/TCP, HTTP, HTTPS, FTP, SNT, SMTP, FEN, mDNS, uPNP
Security	SSL Encryption	Multi-User Authority, IEEE 802.1x IP Filtering, HTTPS, SSL Encryption
Remote Access Client	DirectIP™ NVR connection	IDIS Web, IDIS Mobile, IDIS Solution Suite
Ethernet	RJ45(10/100BASE-T)	
Memory Slot	Micro SD (SDHC)	
ALARM & EVENT		
Trigger Event	Motion Detection, Alarm in, Audio detection, Tampering, TripZone	
Event Buffering (Pre & Post)	yes (up to 60MB)	
Event Notification	Remote S/W, Email (with Image)	
Audio In/ Out	1 (Line in) + 1 (Internal Mic) / 1 (Line out)	
Alarm In/ Out	1 / 1	
ENVIRONMENTAL		
Vandal-proof Casing	-	
Out-door Ready	-	
Operating Temperature	-10 ~ 50°C (Starting up: Above 0°C)	
Operating Humidity	0% ~ 90%	
ELECTRICAL		
Power Source	12VDC, PoE(IEEE802.3af class 2)	
Power Consumption	4.8W	
Approval	FCC, CE(50130-4), KC	
MECHANICAL		
Unit Dimensions(mm)	75.62mm x 70.90mm x 129.32mm	
Unit Weight (kg)	0.4 kg	

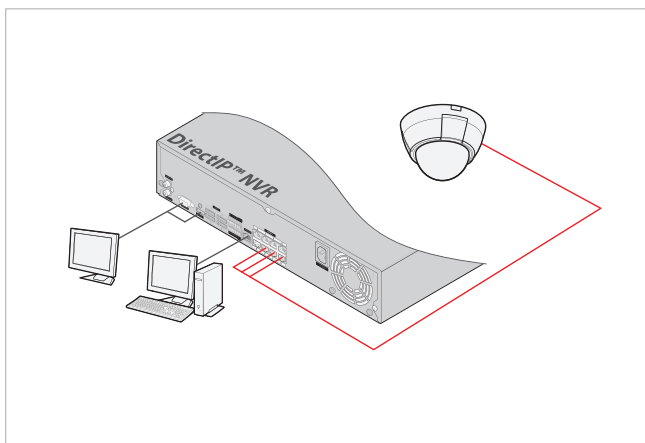
DC-D1111



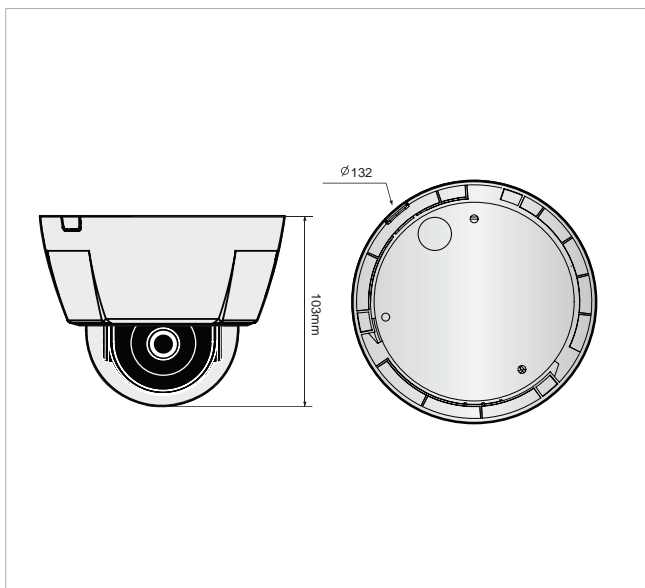
KEY FEATURES

- Easy installation with DirectIP NVR
- HD (720p) resolution
- Fixed Lens (f=4.0mm)
- 3-axis mechanical design for installation
- PoE (IEEE 802.3af Class 2), 12V DC
- Supports ONVIF

CONNECTION DIAGRAM



DIMENSIONS



SPECIFICATIONS

VIDEO		
Image Sensor	1/2.7" CMOS	
Max. Resolution	1280 x 720	
Scanning Mode	Progressive Scan	
Lens	Fixed-focal (f = 4.0mm, F2.0)	
IRIS Control	Fixed IRIS	
Angular Field of View	88°(H), 48°(V), 100°(D)	
Min. Illumination	COLOR : 0.019 lux @ F2.0 (50 IRE) B/W : 0.015 lux @ F2.0 (50 IRE)	
S/N Ratio	more than 45dB	
Dynamic Range	more than 70dB (90dB@digital WDR)	
Electronic Shutter Speed	Auto / Manual (1/30 ~ 1/8000), Anti-Flicker, Slow Shutter(1/7.5,1/15)	
True Day & Night	-	
IR Distance (LEDs)	-	
Video Quality Compensation	Auto Expose, Auto White Balance, Digital Noise Reduction Backlight Compensation, HSBC	
Privacy Masking	16 Zones	
Intelligent Video	Video Motion Detection, Active Tampering Alarm, Trip Zone	
Video Out	1 Terminal Block (NTSC/PAL Selectable)	
NETWORK		
	DirectIP Mode	Compatibility Mode
Video Compression	H.264(MP), M-JPEG	
Bitrate Control	H.264 - CBR / VBR	
Max. Frame Rate	30fps : 1280 x 720	
Audio Compression	-	
Two-way Audio	-	
IP Camera Protocol	DirectIP	IDIS ONVIF Profile S
Supported Resolution	1280x720, 704x480, 640x360, 352x240	1280x720, 704x480, 352x240
Multi-Video Streaming	Quadruple streaming	Triple streaming
Network Protocols	Direct IP Protocol	RTP/RTSP/TCP, RTP/RTSP/HTTP/TCP, RTP/UDP RTSP/TCP, HTTP, HTTPS, FTP, SNTP, SMTP, FEN, mDNS, uPNP
Security	SSL Encryption	Multi-User Authority, IEEE 802.1x IP Filtering, HTTPS, SSL Encryption
Remote Access Client	DirectIP™ NVR connection	IDIS Web, IDIS Mobile, IDIS Solution Suite
Ethernet	RJ45(10/100BASE-T)	
Memory Slot	-	
ALARM & EVENT		
Trigger Event	Motion Detection, Tampering, TripZone	
Event Buffering (Pre & Post)	yes (up to 60MB)	
Event Notification	Remote S/W, Email (with Image)	
Audio In/ Out	-	
Alarm In/ Out	-	
ENVIRONMENTAL		
Vandal-proof Casing	-	
Out-door Ready	-	
Operating Temperature	-10 ~ 50°C (Starting up: Above 0°C)	
Operating Humidity	0% ~ 90%	
ELECTRICAL		
Power Source	12VDC, PoE (IEEE802.3af class 2)	
Power Consumption	4.8W	
Approval	FCC, CE(50130-4), KC	
MECHANICAL		
Unit Dimensions Ø x H (mm)	Ø132mm x 103mm	
Unit Weight (kg)	0.35 kg	

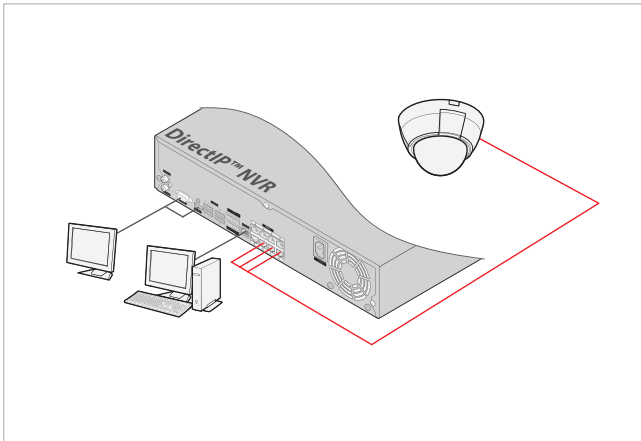
DC-D1122



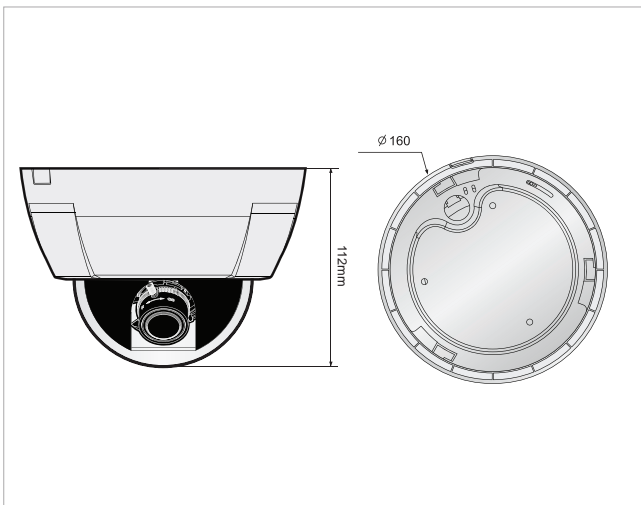
KEY FEATURES

- Easy installation with DirectIP NVR
- HD (720p) resolution
- Vari-focal Lens (f= 3.3 - 10mm)
- Day&Night (ICR)
- 3-axis mechanical design for installation
- PoE (IEEE 802.3af Class 2), 12V DC
- Supports ONVIF

CONNECTION DIAGRAM



DIMENSIONS



SPECIFICATIONS

VIDEO		
Image Sensor	1/2.7" CMOS	
Max. Resolution	1280 x 720	
Scanning Mode	Progressive Scan	
Lens	Vari-focal (f= 3.3 - 10mm, F1.5 - 2.5)	
IRIS Control	DC Auto Iris	
Angular Field of View	Wide : 105.5°(H), 55.4°(V), 125.3°(D) Tele : 35.3°(H), 19.7°(V), 40.4°(D)	
Min. Illumination	COLOR : 0.6 lux @ F1.5 (50 IRE) B/W : 0.006 lux @ F1.5 (50 IRE)	
S/N Ratio	more than 45dB	
Dynamic Range	more than 70dB (90dB@digital WDR)	
Electronic Shutter Speed	Auto / Manual (1/30 ~ 1/8000), Anti-Flicker, Slow Shutter(1/7.5,1/15)	
True Day & Night	Yes (ICR)	
IR Distance (LEDs)	-	
Video Quality Compensation	Auto Expose, Auto White Balance, Digital Noise Reduction, Backlight Compensation, HSBC	
Privacy Masking	16 Zones	
Intelligent Video	Video Motion Detection, Active Tampering Alarm, Trip Zone	
Video Out	1 Terminal Block(NTSC/PAL Selectable)	
NETWORK		
	DirectIP Mode	Compatibility Mode
Video Compression	H.264(MP), M-JPEG	
Bitrate Control	H.264 - CBR / VBR	
Max. Frame Rate	30fps : 1280 x 720	
Audio Compression	-	
Two-way Audio	-	
IP Camera Protocol	DirectIP	IDIS ONVIF Profile S
Supported Resolution	1280x720, 704x480, 640x360, 352x240	1280x720, 704x480, 352x240
Multi-Video Streaming	Quadruple streaming	Triple streaming
Network Protocols	Direct IP Protocol	RTP/RTSP/TCP, RTP/RTSP/HTTP/TCP, RTP/UDP RTSP/TCP, HTTP, HTTPS, FTP, SMTP, FEN, mDNS, uPNP
Security	SSL Encryption	Multi-User Authority, IEEE 802.1x IP Filtering, HTTPS, SSL Encryption
Remote Access Client	DirectIP™ NVR connection	IDIS Web, IDIS Mobile, IDIS Solution Suite
Ethernet	RJ45 (10/100BASE-T)	
Memory Slot	-	
ALARM & EVENT		
Trigger Event	Motion Detection, Tampering, TripZone	
Event Buffering (Pre & Post)	yes (up to 60MB)	
Event Notification	Remote S/W, Email (with Image)	
Audio In/ Out	-	
Alarm In/ Out	-	
ENVIRONMENTAL		
Vandal-proof Casing	-	
Out-door Ready	-	
Operating Temperature	-10 ~ 50°C (Starting up: Above 0°C)	
Operating Humidity	0% ~ 90%	
ELECTRICAL		
Power Source	12VDC, PoE(IEEE802.3af class 2)	
Power Consumption	4.8W	
Approval	FCC, CE (50130-4), KC	
MECHANICAL		
Unit Dimensions Ø x H (mm)	Ø160mm x 112mm	
Unit Weight (kg)	0.51 kg	

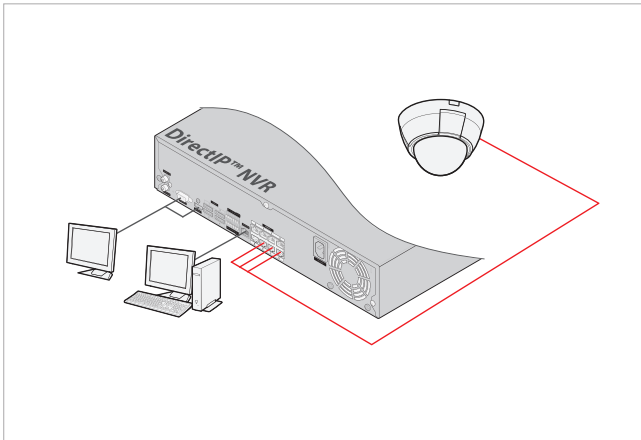
DC-D1122R



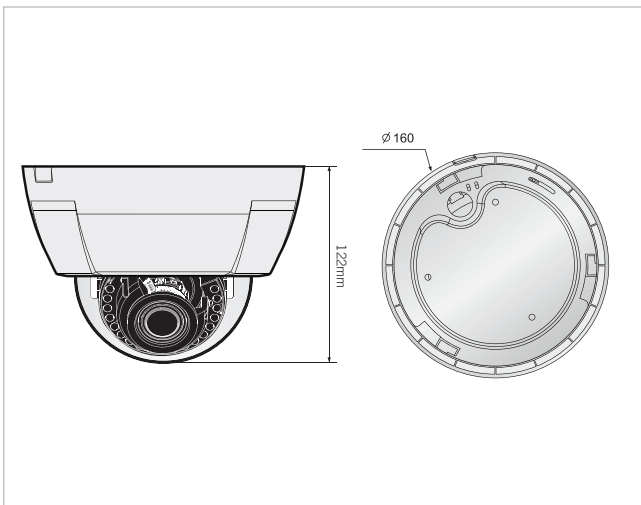
KEY FEATURES

- Easy installation with DirectIP NVR
- HD (720p) resolution
- Vari-focal Lens (f= 3.3 - 10mm)
- IR LED (Distance : 20m)
- Day&Night (ICR)
- 3-axis mechanical design for installation
- PoE (IEEE 802.3af Class 2), 12V DC
- Supports ONVIF

CONNECTION DIAGRAM



DIMENSIONS



SPECIFICATIONS

VIDEO		
Image Sensor	1/2.7" CMOS	
Max. Resolution	1280 x 720	
Scanning Mode	Progressive Scan	
Lens	Vari-focal (f= 3.3 - 10mm, F1.5 - 2.5)	
IRIS Control	DC Auto Iris	
Angular Field of View	Wide : 105.5°(H), 55.4°(V), 125.3°(D) Tele : 35.3°(H), 19.7°(V), 40.4°(D)	
Min. Illumination	COLOR : 0.6 lux @ F1.5 (50 IRE) B/W : 0 lux @ F1.5 (IR LED ON)	
S/N Ratio	more than 45dB	
Dynamic Range	more than 70dB (90dB@digital)WDR	
Electronic Shutter Speed	Auto / Manual (1/30 ~ 1/8000), Anti-Flicker, Slow Shutter(1/7.5,1/15)	
True Day & Night	Yes (ICR)	
IR Distance (LEDs)	20 m (18 ea)	
Video Quality Compensation	Auto Expose, Auto White Balance, Digital Noise Reduction, Backlight Compensation, HSBC	
Privacy Masking	16 Zones	
Intelligent Video	Video Motion Detection, Active Tampering Alarm, Trip Zone	
Video Out	1 Terminal Block(NTSC/PAL Selectable)	
NETWORK		
	DirectIP Mode	Compatibility Mode
Video Compression	H.264(MP), M-JPEG	
Bitrate Control	H.264 - CBR / VBR	
Max. Frame Rate	30fps : 1280 x 720	
Audio Compression	-	
Two-way Audio	-	
IP Camera Protocol	DirectIP	IDIS ONVIF Profile S
Supported Resolution	1280x720, 704x480, 640x360, 352x240	1280x720, 704x480, 352x240
Multi-Video Streaming	Quadruple streaming	Triple streaming
Network Protocols	Direct IP Protocol	RTP/RTSP/TCP, RTP/RTSP/HTTP/TCP, RTP/UDP RTSP/TCP, HTTP, HTTPS, FTP, SMTP, FEN, mDNS, uPNP
Security	SSL Encryption	Multi-User Authority, IEEE 802.1x IP Filtering, HTTPS, SSL Encryption
Remote Access Client	DirectIP™ NVR connection	IDIS Web, IDIS Mobile, IDIS Solution Suite
Ethernet	RJ45(10/100BASE-T)	
Memory Slot	-	
ALARM & EVENT		
Trigger Event	Motion Detection, Tampering, TripZone	
Event Buffering (Pre & Post)	yes (up to 60MB)	
Event Notification	Remote S/W, Email (with Image)	
Audio In/ Out	-	
Alarm In/ Out	-	
ENVIRONMENTAL		
Vandal-proof Casing	-	
Out-door Ready	-	
Operating Temperature	-10 ~ 50°C (Starting up: Above 0°C)	
Operating Humidity	0% ~ 90%	
ELECTRICAL		
Power Source	12VDC, PoE (IEEE802.3af class 2)	
Power Consumption	4.8W	
Approval	FCC, CE(50130-4), KC	
MECHANICAL		
Unit Dimensions \varnothing x H (mm)	\varnothing 160 x 122mm	
Unit Weight (kg)	0.51 kg	

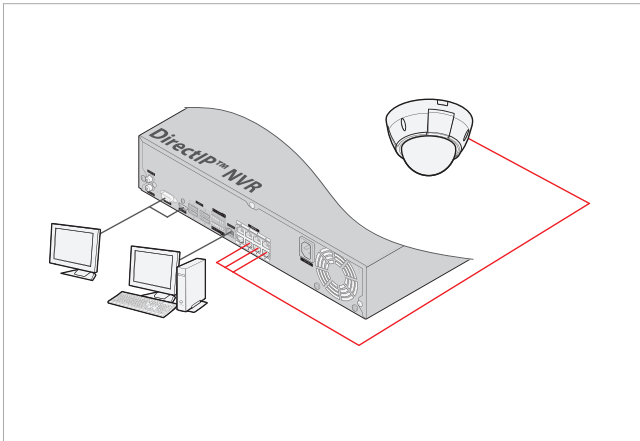
DC-D1122W



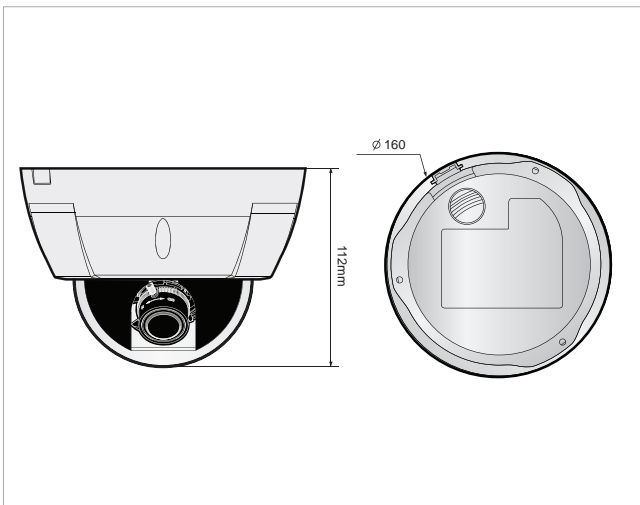
KEY FEATURES

- Easy installation with DirectIP NVR
- HD (720p) resolution
- Vari-focal Lens (f= 3.3 - 10mm)
- Vandal Proof / IP66 supports
- Day&Night (ICR)
- 3-axis mechanical design for installation
- PoE (IEEE 802.3af Class 2), 12V DC
- Supports ONVIF

CONNECTION DIAGRAM



DIMENSIONS



SPECIFICATIONS

VIDEO		
Image Sensor	1/2.7" CMOS	
Max. Resolution	1280 x 720	
Scanning Mode	Progressive Scan	
Lens	Vari-focal (f= 3.3 - 10mm, F1.5 - 2.5)	
IRIS Control	DC Auto Iris	
Angular Field of View	Wide : 105.5°(H), 55.4°(V), 125.3°(D) Tele : 35.3°(H), 19.7°(V), 40.4°(D)	
Min. Illumination	COLOR : 0.6 lux @ F1.5 (50 IRE) B/W : 0.006 lux @ F1.5 (50 IRE)	
S/N Ratio	more than 45dB	
Dynamic Range	more than 70dB (90dB@digital WDR)	
Electronic Shutter Speed	Auto / Manual (1/30 ~ 1/8000), Anti-Flicker, Slow Shutter(1/7.5,1/15)	
True Day & Night	Yes (ICR)	
IR Distance (LEDs)	-	
Video Quality Compensation	Auto Expose, Auto White Balance, Digital Noise Reduction, Backlight Compensation, HSBC	
Privacy Masking	16 Zones	
Intelligent Video	Video Motion Detection, Active Tampering Alarm, Trip Zone	
Video Out	1 Terminal Block(NTSC/PAL Selectable)	
NETWORK		
	DirectIP Mode	Compatibility Mode
Video Compression	H.264(MP), M-JPEG	
Bitrate Control	H.264 - CBR / VBR	
Max. Frame Rate	30fps : 1280 x 720	
Audio Compression	-	
Two-way Audio	-	
IP Camera Protocol	DirectIP	IDIS ONVIF Profile S
Supported Resolution	1280x720, 704x480, 640x360 352x240	1280x720, 704x480, 352x240
Multi-Video Streaming	Quadruple streaming	Triple streaming
Network Protocols	Direct IP Protocol	RTP/RTSP/TCP, RTP/RTSP/HTTP/TCP, RTP/UDP RTSP/TCP, HTTP, HTTPS, FTP, SNTP, SMTP, FEN, mDNS, uPNP
Security	SSL Encryption	Multi-User Authority, IEEE 802.1x IP Filtering, HTTPS, SSL Encryption
Remote Access Client	DirectIP™ NVR connection	IDIS Web, IDIS Mobile, IDIS Solution Suite
Ethernet	RJ45 (10/100BASE-T)	
Memory Slot	-	
ALARM & EVENT		
Trigger Event	Motion Detection, Tampering, TripZone	
Event Buffering (Pre & Post)	yes (up to 60MB)	
Event Notification	Remote S/W, Email (with Image)	
Audio In/ Out	-	
Alarm In/ Out	-	
ENVIRONMENTAL		
Vandal-proof Casing	IK10	
Out-door Ready	IP66	
Operating Temperature	-10 ~ 50°C (Starting up: Above 0°C)	
Operating Humidity	0% ~ 90%	
ELECTRICAL		
Power Source	12VDC, PoE(IEEE802.3af class 2)	
Power Consumption	4.8W	
Approval	FCC, CE(50130-4), KC	
MECHANICAL		
Unit Dimensions Ø x H (mm)	Ø160 x 112mm	
Unit Weight(kg)	0.87 kg	

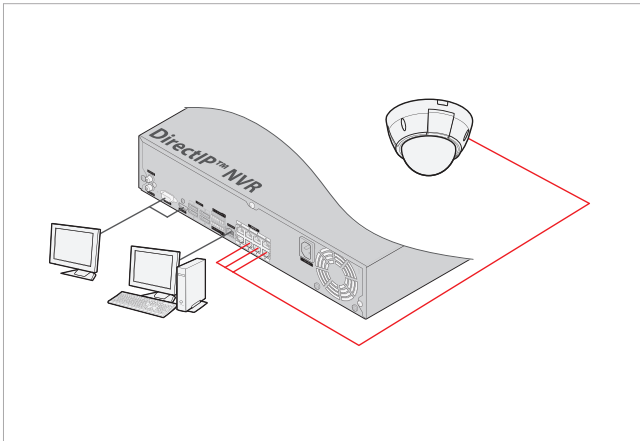
DC-D1122WR



KEY FEATURES

- Easy installation with DirectIP NVR
- HD (720p) resolution
- Vari-focal Lens (f= 3.3 - 10mm)
- IR LED (Distance : 20m)
- Vandal Proof / IP66 supports
- Day&Night (ICR)
- 3-axis mechanical design for installation
- PoE (IEEE 802.3af Class 2), 12V DC
- Supports ONVIF

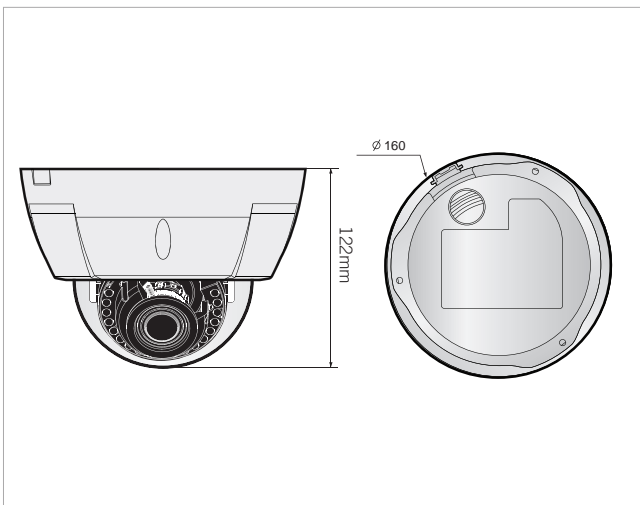
CONNECTION DIAGRAM



SPECIFICATIONS

VIDEO		
Image Sensor	1/2.7" CMOS	
Max. Resolution	1280 x 720	
Scanning Mode	Progressive Scan	
Lens	Vari-focal (f= 3.3 - 10mm, F1.5 - 2.5)	
IRIS Control	DC Auto Iris	
Angular Field of View	Wide : 105.5°(H), 55.4°(V), 125.3°(D) Tele : 35.3°(H), 19.7°(V), 40.4°(D)	
Min. Illumination	COLOR : 0.6 lux @ F1.5 (50 IRE) B/W : 0 lux @ F1.5 (IR LED ON)	
S/N Ratio	more than 45dB	
Dynamic Range	more than 70dB (90dB@digital WDR)	
Electronic Shutter Speed	Auto / Manual (1/30 ~ 1/8000), Anti-Flicker, Slow Shutter(1/7.5,1/15)	
True Day & Night	Yes (ICR)	
IR Distance (LEDs)	20 m (18 ea)	
Video Quality Compensation	Auto Expose, Auto White Balance, Digital Noise Reduction Backlight Compensation, HSBC	
Privacy Masking	16 Zones	
Intelligent Video	Video Motion Detection, Active Tampering Alarm, Trip Zone	
Video Out	1 Terminal Block (NTSC/PAL Selectable)	
NETWORK		
	DirectIP Mode	Compatibility Mode
Video Compression	H.264(MP), M-JPEG	
Bitrate Control	H.264 - CBR / VBR	
Max. Frame Rate	30fps : 1280 x 720	
Audio Compression	-	
Two-way Audio	-	
IP Camera Protocol	DirectIP	IDIS ONVIF Profile S
Supported Resolution	1280x720, 704x480, 640x360 352x240	1280x720, 704x480, 352x240
Multi-Video Streaming	Quadruple streaming	Triple streaming
Network Protocols	Direct IP Protocol	RTP/RTSP/TCP, RTP/RTSP/HTTP/TCP, RTP/UDP RTSP/TCP, HTTP, HTTPS, FTP, SNTP, SMTP, FEN, mDNS, uPNP
Security	SSL Encryption	Multi-User Authority, IEEE 802.1x IP Filtering, HTTPS, SSL Encryption
Remote Access Client	DirectIP™ NVR connection	IDIS Web, IDIS Mobile, IDIS Solution Suite
Ethernet	RJ45(10/100BASE-T)	
Memory Slot	-	
ALARM & EVENT		
Trigger Event	Motion Detection, Tampering, TripZone	
Event Buffering (Pre & Post)	yes (up to 60MB)	
Event Notification	Remote S/W, Email (with Image)	
Audio In/ Out	-	
Alarm In/ Out	-	
ENVIRONMENTAL		
Vandal-proof Casing	-	
Out-door Ready	IP66	
Operating Temperature	-10 ~ 50°C (Starting up: Above 0°C)	
Operating Humidity	0% ~ 90%	
ELECTRICAL		
Power Source	12VDC, PoE(IEEE802.3af class 2)	
Power Consumption	4.8W	
Approval	FCC, CE(50130-4), KC	
MECHANICAL		
Unit Dimensions \varnothing x H (mm)	\varnothing 160 x 122mm	
Unit Weight (kg)	0.87 kg	

DIMENSIONS





HD Dome Camera

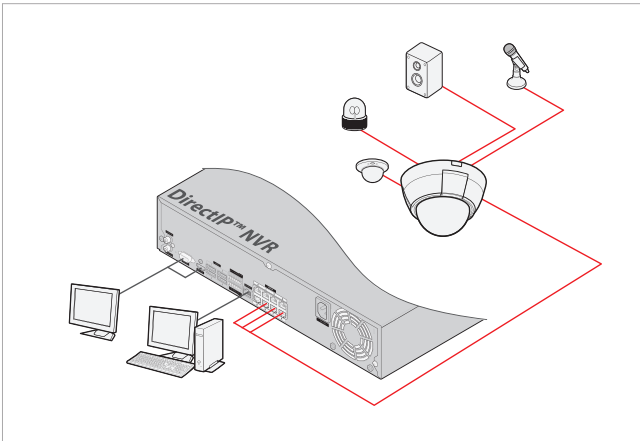
DC-D1123



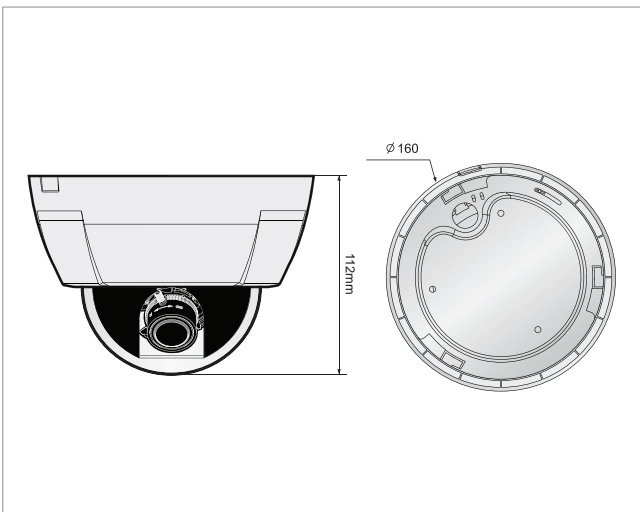
KEY FEATURES

- Easy installation with DirectIP NVR
- HD (720p) resolution
- Vari-focal Lens (f= 3.3 - 10mm)
- Day&Night (ICR)
- Micro SD (SDHC) memory slot
- Two-way audio
- Alarm in / out
- PoE (IEEE 802.3af Class 2), 12V DC

CONNECTION DIAGRAM



DIMENSIONS



SPECIFICATIONS

VIDEO		
Image Sensor	1/2.7" CMOS	
Max. Resolution	1280 x 720	
Scanning Mode	Progressive Scan	
Lens	Vari-focal (f= 3.3 - 10mm, F1.5 - 2.5)	
IRIS Control	DC Auto Iris	
Angular Field of View	Wide : 105.5°(H), 55.4°(V), 125.3°(D) Tele : 35.3°(H), 19.7°(V), 40.4°(D)	
Min. Illumination	COLOR : 0.6 lux @ F1.5 (50 IRE) B/W : 0.006 lux @ F1.5 (50 IRE)	
S/N Ratio	more than 45dB	
Dynamic Range	more than 70dB (90dB@digital WDR)	
Electronic Shutter Speed	Auto / Manual (1/30 ~ 1/8000), Anti-Flicker, Slow Shutter(1/7.5,1/15)	
True Day & Night	Yes (ICR)	
IR Distance (LEDs)	-	
Video Quality Compensation	Auto Expose, Auto White Balance, Digital Noise Reduction Backlight Compensation, HSBC	
Privacy Masking	16 Zones	
Intelligent Video	Video Motion Detection, Active Tampering Alarm, Trip Zone	
Video Out	1 Terminal Block (NTSC/PAL Selectable)	
NETWORK		
	DirectIP Mode	Compatibility Mode
Video Compression	H.264(MP), M-JPEG	
Bitrate Control	H.264 - CBR / VBR	
Max. Frame Rate	30fps : 1280 x 720	
Audio Compression	G.726, G.711	
Two-way Audio	Yes	
IP Camera Protocol	DirectIP	IDIS ONVIF Profile S
Supported Resolution	1280x720, 704x480, 640x360 352x240	1280x720, 704x480, 352x240
Multi-Video Streaming	Quadruple streaming	Triple streaming
Network Protocols	Direct IP Protocol	RTP/RTSP/TCP, RTP/RTSP/HTTP/TCP, RTP/UDP RTSP/TCP, HTTP, HTTPS, FTP, SNTP, SMTP, FEN, mDNS, uPNP
Security	SSL Encryption	Multi-User Authority, IEEE 802.1x IP Filtering, HTTPS, SSL Encryption
Remote Access Client	DirectIP™ NVR connection	IDIS Web, IDIS Mobile, IDIS Solution Suite
Ethernet	RJ45(10/100BASE-T)	
Memory Slot	Micro SD (SDHC)	
ALARM & EVENT		
Trigger Event	Motion Detection, Alarm in, Audio detection, Tampering, TripZone	
Event Buffering (Pre & Post)	yes (up to 60MB)	
Event Notification	Remote S/W, Email (with Image)	
Audio In/ Out	1 (Line-in) / 1 (Line-out)	
Alarm In/ Out	1 / 1	
ENVIRONMENTAL		
Vandal-proof Casing	-	
Out-door Ready	-	
Operating Temperature	-10 ~ 50°C (Starting up: Above 0°C)	
Operating Humidity	0% ~ 90%	
ELECTRICAL		
Power Source	12VDC, PoE(IEEE802.3af class 2)	
Power Consumption	4.8W	
Approval	FCC, CE (50130-4), KC	
MECHANICAL		
Unit Dimensions Ø x H (mm)	Ø160 x 112mm	
Unit Weight (kg)	0.51 kg	

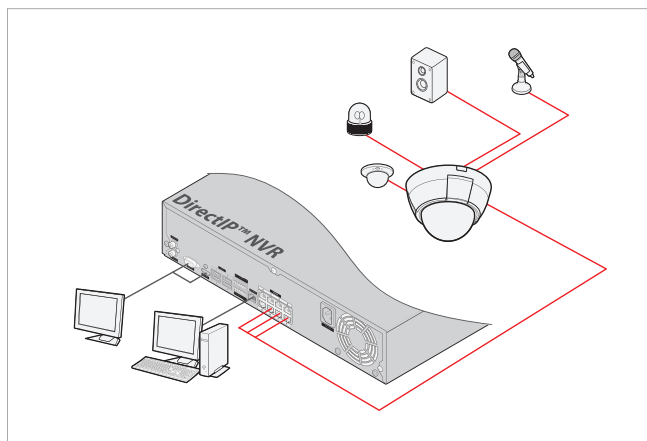
DC-D1123R



KEY FEATURES

- Easy installation with DirectIP NVR
- HD (720p) resolution
- Vari-focal Lens (f= 3.3 - 10mm)
- IR LED (Distance : 20m)
- Day&Night (ICR)
- Micro SD (SDHC) memory slot
- Two-way audio
- Alarm in / out
- PoE (IEEE 802.3af Class 2), 12V DC

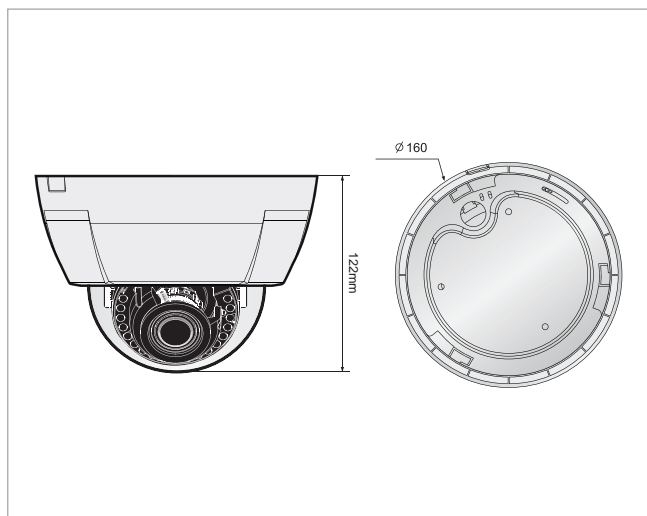
CONNECTION DIAGRAM



SPECIFICATIONS

VIDEO		
Image Sensor	1/2.7" CMOS	
Max. Resolution	1280 x 720	
Scanning Mode	Progressive Scan	
Lens	Vari-focal (f= 3.3 - 10mm, F1.5 - 2.5)	
IRIS Control	DC Auto Iris	
Angular Field of View	Wide : 105.5°(H), 55.4°(V), 125.3°(D) Tele : 35.3°(H), 19.7°(V), 40.4°(D)	
Min. Illumination	COLOR : 0.6 lux @ F1.5 (50 IRE) B/W : 0 lux @ F1.5 (IR LED ON)	
S/N Ratio	more than 45dB	
Dynamic Range	more than 70dB (90dB@digital WDR)	
Electronic Shutter Speed	Auto / Manual (1/30 ~ 1/8000), Anti-Flicker, Slow Shutter(1/7.5,1/15)	
True Day & Night	Yes (ICR)	
IR Distance (LEDs)	20 m (18 ea)	
Video Quality Compensation	Auto Expose, Auto White Balance, Digital Noise Reduction Backlight Compensation, HSBC	
Privacy Masking	16 Zones	
Intelligent Video	Video Motion Detection, Active Tampering Alarm, Trip Zone	
Video Out	1 Terminal Block(NTSC/PAL Selectable)	
NETWORK		
	DirectIP Mode	Compatibility Mode
Video Compression	H.264(MP), M-JPEG	
Bitrate Control	H.264 - CBR / VBR	
Max. Frame Rate	30fps : 1280 x 720	
Audio Compression	G.726, G.711	
Two-way Audio	Yes	
IP Camera Protocol	DirectIP	IDIS ONVIF Profile S
Supported Resolution	1280x720, 704x480, 640x360, 352x240	1280x720, 704x480, 352x240
Multi-Video Streaming	Quadruple streaming	Triple streaming
Network Protocols	Direct IP Protocol	RTP/RTSP/TCP, RTP/RTSP/HTTP/TCP, RTP/UDP RTSP/TCP, HTTP, HTTPS, FTP, SNTP, SMTP, FEN, mDNS, uPNP
Security	SSL Encryption	Multi-User Authority, IEEE 802.1x IP Filtering, HTTPS, SSL Encryption
Remote Access Client	DirectIP™ NVR connection	IDIS Web, IDIS Mobile, IDIS Solution Suite
Ethernet	RJ45(10/100BASE-T)	
Memory Slot	Micro SD (SDHC)	
ALARM & EVENT		
Trigger Event	Motion Detection, Alarm in, Audio detection, Tampering, TripZone	
Event Buffering (Pre & Post)	yes (up to 60MB)	
Event Notification	Remote S/W, Email (with Image)	
Audio In/ Out	1 (Line-in) / 1 (Line-out)	
Alarm In/ Out	1 / 1	
ENVIRONMENTAL		
Vandal-proof Casing	-	
Out-door Ready	-	
Operating Temperature	-10 ~ 50°C (Starting up: Above 0°C)	
Operating Humidity	0% ~ 90%	
ELECTRICAL		
Power Source	12VDC, PoE(IEEE802.3af class 2)	
Power Consumption	4.8W	
Approval	FCC, CE(50130-4), KC	
MECHANICAL		
Unit Dimensions ϕ x H (mm)	ϕ 160 x 122mm	
Unit Weight (kg)	0.51 kg	

DIMENSIONS





HD Vandal-Resistant Dome Camera

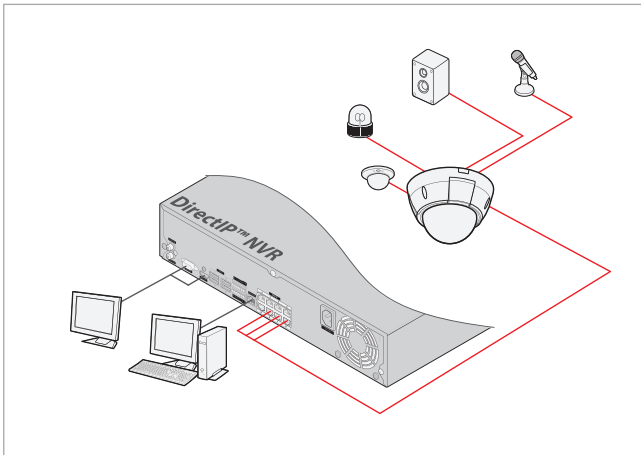
DC-D1123W



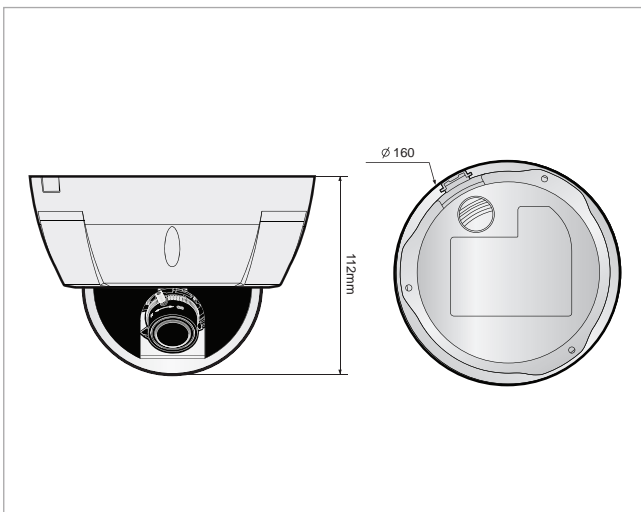
KEY FEATURES

- Easy installation with DirectIP NVR
- HD (720p) resolution
- Vari-focal Lens (f= 3.3 - 10mm)
- Vandal Proof / IP66 supports
- Day&Night (ICR)
- Micro SD (SDHC) memory slot
- Two-way audio
- Alarm in / out
- PoE (IEEE 802.3af Class 2), 12V DC

CONNECTION DIAGRAM



DIMENSIONS



SPECIFICATIONS

VIDEO		
Image Sensor	1/2.7" CMOS	
Max. Resolution	1280 x 720	
Scanning Mode	Progressive Scan	
Lens	Vari-focal (f= 3.3 - 10mm, F1.5 - 2.5)	
IRIS Control	DC Auto Iris	
Angular Field of View	Wide : 105.5°(H), 55.4°(V), 125.3°(D) Tele : 35.3°(H), 19.7°(V), 40.4°(D)	
Min. Illumination	COLOR : 0.6 lux @ F1.5 (50 IRE) B/W : 0.006 lux @ F1.5 (50 IRE)	
S/N Ratio	more than 45dB	
Dynamic Range	more than 70dB (90dB@digital WDR)	
Electronic Shutter Speed	Auto / Manual (1/30 ~ 1/8000), Anti-Flicker, Slow Shutter(1/7.5,1/15)	
True Day & Night	Yes (ICR)	
IR Distance (LEDs)	-	
Video Quality Compensation	Auto Expose, Auto White Balance, Digital Noise Reduction Backlight Compensation, HSBC	
Privacy Masking	16 Zones	
Intelligent Video	Video Motion Detection, Active Tampering Alarm, Trip Zone	
Video Out	1 Terminal Block (NTSC/PAL Selectable)	
NETWORK		
	DirectIP Mode	Compatibility Mode
Video Compression	H.264(MP), M-JPEG	IDIS ONVIF Profile S
Bitrate Control	H.264 - CBR / VBR	
Max. Frame Rate	30fps : 1280 x 720	1280x720, 704x480, 352x240
Audio Compression	G.726, G.711	
Two-way Audio	Yes	
IP Camera Protocol	DirectIP	
Supported Resolution	1280x720, 704x480, 640x360 352x240	
Multi-Video Streaming	Quadruple streaming	Triple streaming
Network Protocols	Direct IP Protocol	RTP/RTSP/TCP, RTP/RTSP/HTTP/TCP, RTP/UDP RTSP/TCP, HTTP, HTTPS, FTP, SNTP, SMTP, FEN, mDNS, uPNP
Security	SSL Encryption	Multi-User Authority, IEEE 802.1x IP Filtering, HTTPS, SSL Encryption
Remote Access Client	DirectIP™ NVR connection	IDIS Web, IDIS Mobile, IDIS Solution Suite
Ethernet	RJ45(10/100BASE-T)	
Memory Slot	Micro SD (SDHC)	
ALARM & EVENT		
Trigger Event	Motion Detection, Alarm in, Audio detection, Tampering, TripZone	
Event Buffering (Pre & Post)	yes (up to 60MB)	
Event Notification	Remote S/W, Email (with Image)	
Audio In/ Out	1 (Line-in) / 1 (Line-out)	
Alarm In/ Out	1 / 1	
ENVIRONMENTAL		
Vandal-proof Casing	Yes	
Out-door Ready	IP66	
Operating Temperature	-10 ~ 50°C (Starting up: Above 0°C)	
Operating Humidity	0% ~ 90%	
ELECTRICAL		
Power Source	12VDC, PoE(IEEE802.3af class 2)	
Power Consumption	4.8W	
Approval	FCC, CE(50130-4), KC	
MECHANICAL		
Unit Dimensions Ø x H (mm)	Ø160 x 112mm	
Unit Weight (kg)	0.87 kg	

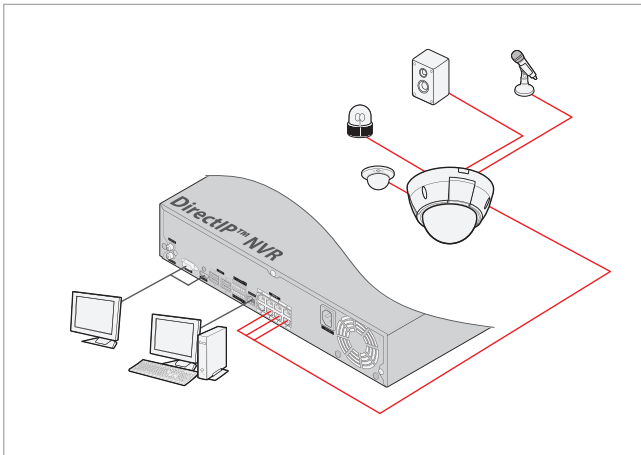
DC-D1123WR



KEY FEATURES

- Easy installation with DirectIP NVR
- HD (720p) resolution
- Vari-focal Lens (f= 3.3 - 10mm)
- IR LED (Distance : 20m)
- Day&Night (ICR)
- Vandal Proof / IP66 supports
- Micro SD (SDHC) memory slot
- Two-way audio
- Alarm in / out
- PoE (IEEE 802.3af Class 2), 12V DC

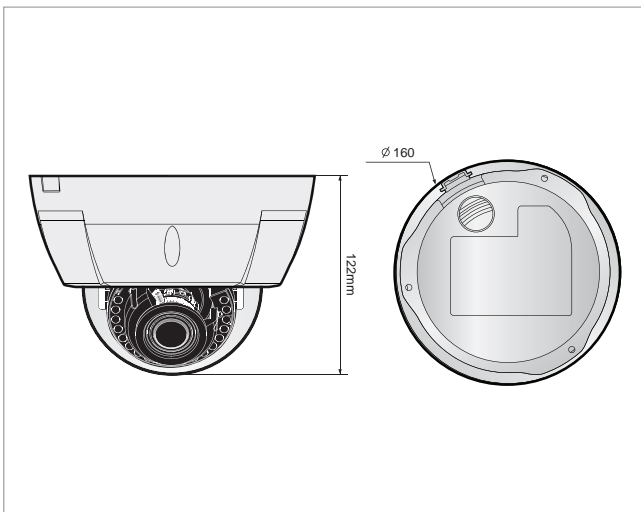
CONNECTION DIAGRAM



SPECIFICATIONS

VIDEO		
Image Sensor	1/2.7" CMOS	
Max. Resolution	1280 x 720	
Scanning Mode	Progressive Scan	
Lens	Vari-focal (f= 3.3 - 10mm, F1.5 - 2.5)	
IRIS Control	DC Auto Iris	
Angular Field of View	Wide : 105.5°(H), 55.4°(V), 125.3°(D) Tele : 35.3°(H), 19.7°(V), 40.4°(D)	
Min. Illumination	COLOR : 0.6 lux @ F1.5 (50 IRE) B/W : 0 lux @ F1.5 (IR LED ON)	
S/N Ratio	more than 45dB	
Dynamic Range	more than 70dB (90dB@digital WDR)	
Electronic Shutter Speed	Auto / Manual (1/30 ~ 1/8000), Anti-Flicker, Slow Shutter(1/7.5,1/15)	
True Day & Night	Yes (ICR)	
IR Distance (LEDs)	20 m (18 ea)	
Video Quality Compensation	Auto Expose, Auto White Balance, Digital Noise Reduction Backlight Compensation, HSBC	
Privacy Masking	16 Zones	
Intelligent Video	Video Motion Detection, Active Tampering Alarm, Trip Zone	
Video Out	1 Terminal Block (NTSC/PAL Selectable)	
NETWORK		
	DirectIP Mode	Compatibility Mode
Video Compression	H.264(MP), M-JPEG	
Bitrate Control	H.264 - CBR / VBR	
Max. Frame Rate	30fps : 1280 x 720	
Audio Compression	G.726, G.711	
Two-way Audio	Yes	
IP Camera Protocol	DirectIP	IDIS ONVIF Profile S
Supported Resolution	1280x720, 704x480, 640x360, 352x240	1280x720, 704x480, 352x240
Multi-Video Streaming	Quadruple streaming	Triple streaming
Network Protocols	Direct IP Protocol	RTP/RTSP/TCP, RTP/RTSP/HTTP/TCP, RTP/UDP RTSP/TCP, HTTP, HTTPS, FTP, SNTP, SMTP, FEN, mDNS, uPNP
Security	SSL Encryption	Multi-User Authority, IEEE 802.1x IP Filtering, HTTPS, SSL Encryption
Remote Access Client	DirectIP™ NVR connection	IDIS Web, IDIS Mobile, IDIS Solution Suite
Ethernet	RJ45(10/100BASE-T)	
Memory Slot	Micro SD (SDHC)	
ALARM & EVENT		
Trigger Event	Motion Detection, Alarm in, Audio detection, Tampering, TripZone	
Event Buffering (Pre & Post)	yes (up to 60MB)	
Event Notification	Remote S/W, Email (with Image)	
Audio In/ Out	1 (Line-in) / 1 (Line-out)	
Alarm In/ Out	1 / 1	
ENVIRONMENTAL		
Vandal-proof Casing	Yes	
Out-door Ready	IP66	
Operating Temperature	-10 ~ 50°C (Starting up: Above 0°C)	
Operating Humidity	0% ~ 90%	
ELECTRICAL		
Power Source	12VDC, PoE (IEEE802.3af class 2)	
Power Consumption	4.8W	
Approval	FCC, CE (50130-4), KC	
MECHANICAL		
Unit Dimensions ϕ x H (mm)	ϕ 160 x 122mm	
Unit Weight (kg)	0.87 kg	

DIMENSIONS



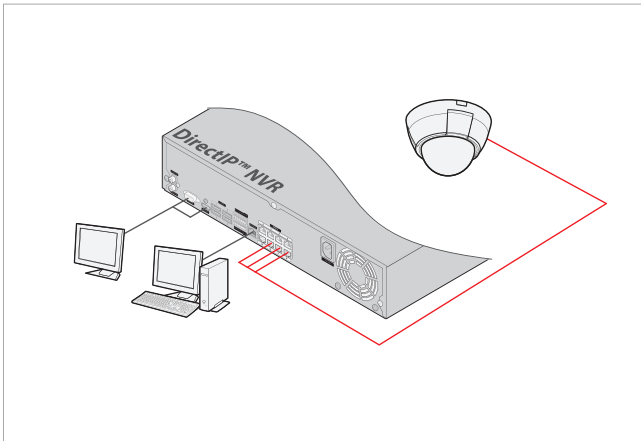
DC-D1212R



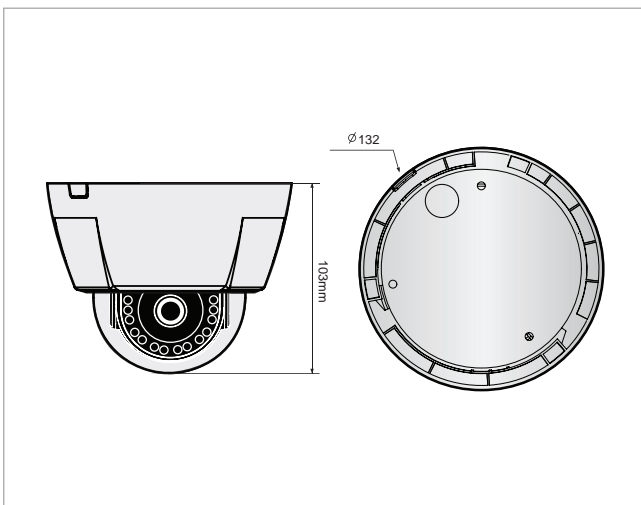
KEY FEATURES

- Easy installation with DirectIP NVR
- Full HD (1080p) resolution
- Fixed Lens (f=4.3mm)
- IR LED (Distance : 10m)
- Day&Night (ICR)
- 3-axis mechanical design for installation
- Supports ONVIF

CONNECTION DIAGRAM



DIMENSIONS



SPECIFICATIONS

VIDEO		
Image Sensor	1/2.7" CMOS	
Max. Resolution	1920 x 1080	
Scanning Mode	Progressive Scan	
Lens	Fixed-focal (f = 4.3mm, F2.0)	
IRIS Control	Fixed IRIS	
Angular Field of View	88°(H), 48°(V), 100°(D)	
Min. Illumination	COLOR : 1.35 lux @F2.0 (50 IRE) B/W : 0 lux (50 IRE, IR LED ON)	
S/N Ratio	more than 45dB	
Dynamic Range	more than 70dB (90dB@digital WDR)	
Electronic Shutter Speed	Auto / Manual (1/30 ~ 1/8000), Anti-Flicker, Slow Shutter(1/7.5,1/15)	
True Day & Night	Yes (ICR)	
IR Distance (LEDs)	10 m (16 ea)	
Video Quality Compensation	Auto Expose, Auto White Balance, Digital Noise Reduction Backlight Compensation, HSBC	
Privacy Masking	16 Zones	
Intelligent Video	Video Motion Detection, Active Tampering Alarm, Trip Zone	
Video Out	1 Terminal Block (NTSC/PAL Selectable)	
NETWORK		
	DirectIP Mode	Compatibility Mode
Video Compression	H.264(MP), M-JPEG	
Bitrate Control	H.264 - CBR / VBR	
Max. Frame Rate	30fps : 1920 x 1080	
Audio Compression	-	
Two-way Audio	-	
IP Camera Protocol	DirectIP	IDIS ONVIF Profile S
Supported Resolution	1920x1080, 1280x720, 704x480, 640x360, 352x240	1920x1080, 1280x720, 704x480, 352x240
Multi-Video Streaming	Quadruple streaming	Triple streaming
Network Protocols	Direct IP Protocol	RTP/RTSP/TCP, RTP/RTSP/HTTP/TCP, RTP/UDP RTSP/TCP, HTTP, HTTPS, FTP, SNTP, SMTP, FEN, mDNS, uPNP
Security	SSL Encryption	Multi-User Authority, IEEE 802.1x IP Filtering, HTTPS, SSL Encryption
Remote Access Client	DirectIP™ NVR connection	IDIS Web, IDIS Mobile, IDIS Solution Suite
Ethernet	RJ45(10/100BASE-T)	
Memory Slot	-	
ALARM & EVENT		
Trigger Event	Motion Detection, Tampering, TripZone	
Event Buffering (Pre & Post)	yes (up to 60MB)	
Event Notification	Remote S/W, Email (with Image)	
Audio In/ Out	-	
Alarm In/ Out	-	
ENVIRONMENTAL		
Vandal-proof Casing	-	
Out-door Ready	-	
Operating Temperature	-10 ~ 50°C (Starting up: Above 0°C)	
Operating Humidity	0% ~ 90%	
ELECTRICAL		
Power Source	PoE (IEEE802.3af class 2)	
Power Consumption	4.8W	
Approval	FCC, CE (50130-4), KC	
MECHANICAL		
Unit Dimensions ϕ x H (mm)	ϕ 132 x 103mm	
Unit Weight (kg)	0.35 kg	

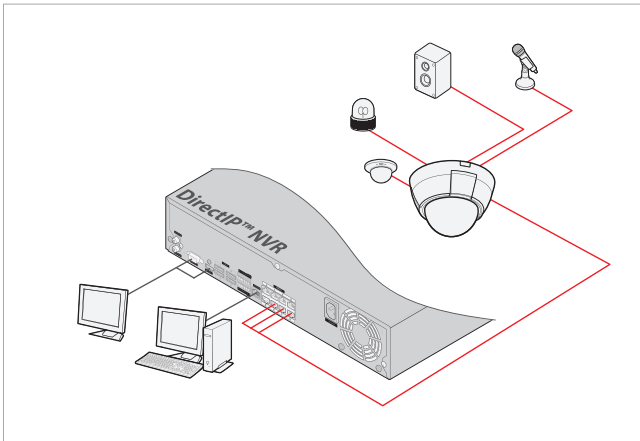
DC-D1223



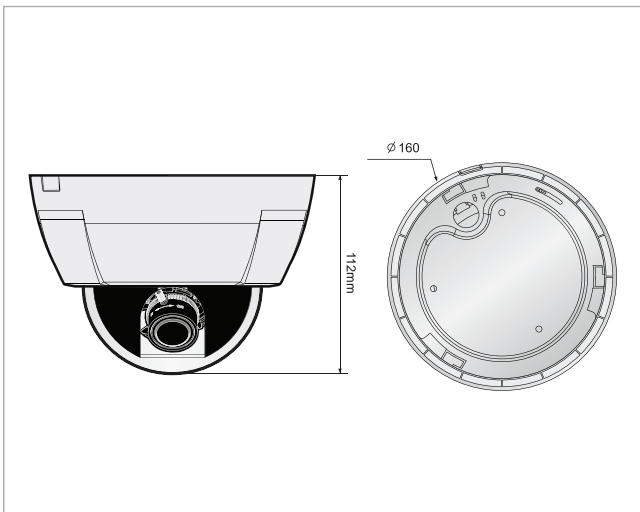
KEY FEATURES

- Easy installation with DirectIP NVR
- Full HD (1080p) resolution
- Vari-focal Lens(f= 3 - 9mm)
- Day&Night (ICR)
- Micro SD (SDHC) memory slot
- Two-way audio
- Alarm in / out
- PoE (IEEE 802.3af Class 2), 12V DC

CONNECTION DIAGRAM



DIMENSIONS



SPECIFICATIONS

VIDEO		
Image Sensor	1/2.7" CMOS	
Max. Resolution	1920 x 1080	
Scanning Mode	Progressive Scan	
Lens	Vari-focal (f= 3 - 9mm, F1.2 - 2.3)	
IRIS Control	DC Auto Iris	
Angular Field of View	Wide : 123°(H), 64°(V), 131°(D) Tele : 37°(H), 20°(V), 43°(D)	
Min. Illumination	COLOR : 0.3 lux @ F1.2 (50 IRE) B/W : 0.002 lux @ F1.2 (50 IRE)	
S/N Ratio	more than 45dB	
Dynamic Range	more than 70dB (90dB@digital WDR)	
Electronic Shutter Speed	Auto / Manual (1/30 ~ 1/8000), Anti-Flicker, Slow Shutter(1/7.5,1/15)	
True Day & Night	Yes (ICR)	
IR Distance (LEDs)	-	
Video Quality Compensation	Auto Expose, Auto White Balance, Digital Noise Reduction Backlight Compensation, HSBC	
Privacy Masking	16 Zones	
Intelligent Video	Video Motion Detection, Active Tampering Alarm, Trip Zone	
Video Out	1 Terminal Block (NTSC/PAL Selectable)	
NETWORK		
	DirectIP Mode	Compatibility Mode
Video Compression	H.264(MP), M-JPEG	IDIS ONVIF Profile S
Bitrate Control	H.264 - CBR / VBR	
Max. Frame Rate	30fps : 1920 x 1080	1920x1080, 1280x720, 704x480, 352x240
Audio Compression	G.726, G.711	
Two-way Audio	Yes	
IP Camera Protocol	DirectIP	
Supported Resolution	1920x1080, 1280x720, 704x480, 640x360, 352x240	
Multi-Video Streaming	Quadruple streaming	Triple streaming
Network Protocols	Direct IP Protocol	RTP/RTSP/TCP, RTP/RTSP/HTTP/TCP, RTP/UDP RTSP/TCP, HTTP, HTTPS, FTP, SNTP, SMTP, FEN, mDNS, uPNP
Security	SSL Encryption	Multi-User Authority, IEEE 802.1x IP Filtering, HTTPS, SSL Encryption
Remote Access Client	DirectIP™ NVR connection	IDIS Web, IDIS Mobile, IDIS Solution Suite
Ethernet	RJ45(10/100BASE-T)	
Memory Slot	Micro SD (SDHC)	
ALARM & EVENT		
Trigger Event	Motion Detection, Alarm in, Audio detection, Tampering, TripZone	
Event Buffering (Pre & Post)	yes (up to 60MB)	
Event Notification	Remote S/W, Email (with Image)	
Audio In/ Out	1 (Line-in) / 1 (Line-out)	
Alarm In/ Out	1 / 1	
ENVIRONMENTAL		
Vandal-proof Casing	-	
Out-door Ready	-	
Operating Temperature	-10 ~ 50°C (Starting up: Above 0°C)	
Operating Humidity	0% ~ 90%	
ELECTRICAL		
Power Source	12VDC, PoE (IEEE802.3af class 2)	
Power Consumption	4.8W	
Approval	FCC, CE (50130-4), KC	
MECHANICAL		
Unit Dimensions ϕ x H (mm)	ϕ 160 x 112mm	
Unit Weight (kg)	0.51 kg	



Full HD IR Dome Camera

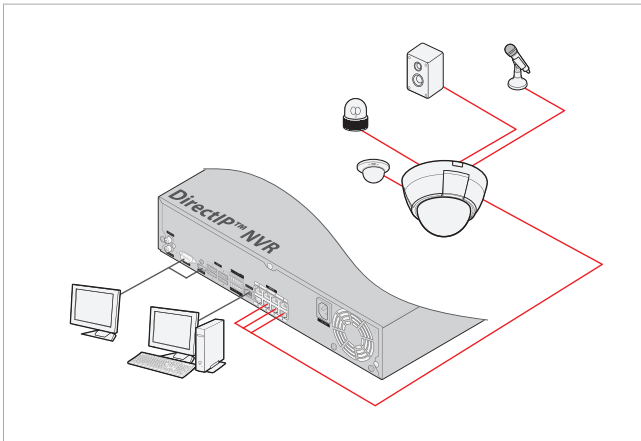
DC-D1223R



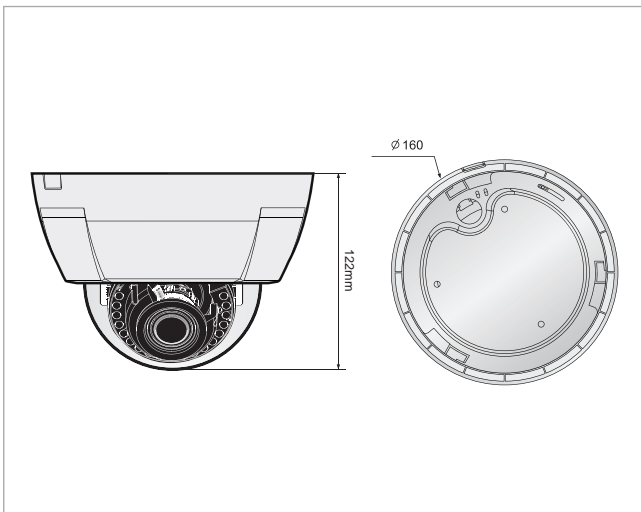
KEY FEATURES

- Easy installation with DirectIP NVR
- Full HD (1080p) resolution
- Vari-focal (f= 3 - 9mm, F1.2 - 2.3)
- IR LED (Distance : 20m)
- Day&Night (ICR)
- Micro SD (SDHC)
- Two-way audio
- Alarm in / out
- PoE (IEEE 802.3af Class 2), 12V DC

CONNECTION DIAGRAM



DIMENSIONS



SPECIFICATIONS

VIDEO		
Image Sensor	1/2.7" CMOS	
Max. Resolution	1920 x 1080	
Scanning Mode	Progressive Scan	
Lens	Vari-focal (f= 3 - 9mm, F1.2 - 2.3)	
IRIS Control	DC Auto Iris	
Angular Field of View	Wide : 123°(H), 64°(V), 131°(D) Tele : 37°(H), 20°(V), 43°(D)	
Min. Illumination	COLOR : 0.3 lux @ F1.2 (50 IRE) B/W : 0 lux (50 IRE, IR LED ON)	
S/N Ratio	more than 45dB	
Dynamic Range	more than 70dB (90dB@digital WDR)	
Electronic Shutter Speed	Auto / Manual (1/30 ~ 1/8000), Anti-Flicker, Slow Shutter(1/7.5,1/15)	
True Day & Night	Yes (ICR)	
IR Distance (LEDs)	20 m (18 ea)	
Video Quality Compensation	Auto Expose, Auto White Balance, Digital Noise Reduction Backlight Compensation, HSBC	
Privacy Masking	16 Zones	
Intelligent Video	Video Motion Detection, Active Tampering Alarm, Trip Zone	
Video Out	1 Terminal Block (NTSC/PAL Selectable)	
NETWORK		
	DirectIP Mode	Compatibility Mode
Video Compression	H.264(MP), M-JPEG	IDIS ONVIF Profile S
Bitrate Control	H.264 - CBR / VBR	
Max. Frame Rate	30fps : 1920 x 1080	
Audio Compression	G.726, G.711	
Two-way Audio	Yes	
IP Camera Protocol	DirectIP	IDIS ONVIF Profile S
Supported Resolution	1920x1080, 1280x720, 704x480, 640x360, 352x240	1920x1080, 1280x720, 704x480, 352x240
Multi-Video Streaming	Quadruple streaming	Triple streaming
Network Protocols	Direct IP Protocol	RTP/RTSP/TCP, RTP/RTSP/HTTP/TCP, RTP/UDP RTSP/TCP, HTTP, HTTPS, FTP, SNTP, SMTP, FEN, mDNS, uPNP
Security	SSL Encryption	Multi-User Authority, IEEE 802.1x IP Filtering, HTTPS, SSL Encryption
Remote Access Client	DirectIP™ NVR connection	IDIS Web, IDIS Mobile, IDIS Solution Suite
Ethernet	RJ45(10/100BASE-T)	
Memory Slot	Micro SD (SDHC)	
ALARM & EVENT		
Trigger Event	Motion Detection, Tampering, TripZone	
Event Buffering (Pre & Post)	yes (up to 60MB)	
Event Notification	Remote S/W, Email (with Image)	
Audio In/ Out	1 (Line-in) / 1 (Line-out)	
Alarm In/ Out	1 / 1	
ENVIRONMENTAL		
Vandal-proof Casing	-	
Out-door Ready	-	
Operating Temperature	-10 ~ 50°C (Starting up: Above 0°C)	
Operating Humidity	0% ~ 90%	
ELECTRICAL		
Power Source	12VDC, PoE (IEEE802.3af class 2)	
Power Consumption	4.8W	
Approval	FCC, CE (50130-4), KC	
MECHANICAL		
Unit Dimensions ϕ x H (mm)	ϕ 160 x 122mm	
Unit Weight(kg)	0.51 kg	

Full HD Vandal-Resistant Camera

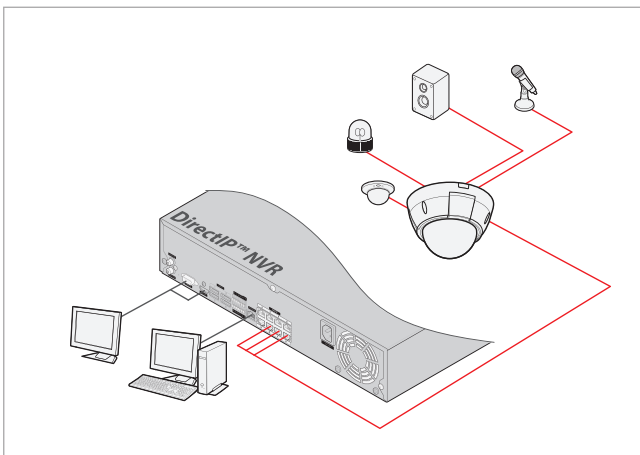
DC-D1223W



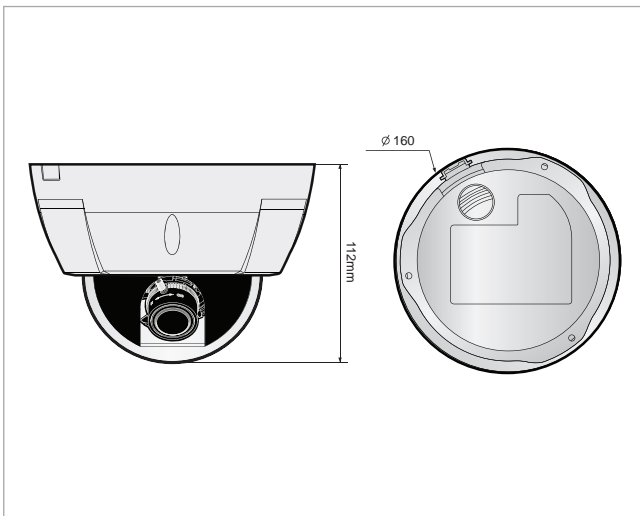
KEY FEATURES

- Easy installation with DirectIP NVR
- Full HD (1080p) resolution
- Vari-focal Lens (f= 3.3 - 10mm)
- Day&Night (ICR)
- Vandal Proof / IP66 supports
- Micro SD (SDHC) memory slot
- Two-way audio
- Alarm in / out
- PoE (IEEE 802.3af Class 2), 12V DC

CONNECTION DIAGRAM



DIMENSIONS



SPECIFICATIONS

VIDEO		
Image Sensor	1/2.7" CMOS	
Max. Resolution	1920 x 1080	
Scanning Mode	Progressive Scan	
Lens	Vari-focal (f= 3 - 9mm, F1.2 - 2.3)	
IRIS Control	DC Auto Iris	
Angular Field of View	Wide : 123°(H), 64°(V), 131°(D), Tele : 37°(H), 20°(V), 43°(D)	
Min. Illumination	COLOR : 0.3 lux @ F1.2 (50 IRE) B/W : 0.002 lux @ F1.2 (50 IRE)	
S/N Ratio	more than 45dB	
Dynamic Range	more than 70dB (90dB@digital WDR)	
Electronic Shutter Speed	Auto / Manual (1/30 ~ 1/8000), Anti-Flicker, Slow Shutter(1/7.5,1/15)	
True Day & Night	Yes (ICR)	
IR Distance (LEDs)	-	
Video Quality Compensation	Auto Expose, Auto White Balance, Digital Noise Reduction Backlight Compensation, HSBC	
Privacy Masking	16 Zones	
Intelligent Video	Video Motion Detection, Active Tampering Alarm, Trip Zone	
Video Out	1 Terminal Block (NTSC/PAL Selectable)	
NETWORK		
	DirectIP Mode	Compatibility Mode
Video Compression	H.264(MP), M-JPEG	IDIS ONVIF Profile S
Bitrate Control	H.264 - CBR / VBR	
Max. Frame Rate	30fps : 1920 x 1080	
Audio Compression	G.726, G.711	
Two-way Audio	Yes	
IP Camera Protocol	DirectIP	IDIS ONVIF Profile S
Supported Resolution	1920x1080, 1280x720, 704x480, 640x360, 352x240	1920x1080, 1280x720, 704x480, 352x240
Multi-Video Streaming	Quadruple streaming	Triple streaming
Network Protocols	Direct IP Protocol	RTP/RTSP/TCP, RTP/RTSP/HTTP/TCP, RTP/UDP RTSP/TCP, HTTP, HTTPS, FTP, SNTP, SMTP, FEN, mDNS, uPNP
Security	SSL Encryption	Multi-User Authority, IEEE 802.1x IP Filtering, HTTPS, SSL Encryption
Remote Access Client	DirectIP™ NVR connection	IDIS Web, IDIS Mobile, IDIS Solution Suite
Ethernet	RJ45 (10/100BASE-T)	
Memory Slot	Micro SD (SDHC)	
ALARM & EVENT		
Trigger Event	Motion Detection, Alarm in, Audio detection, Tampering, TripZone	
Event Buffering (Pre & Post)	yes (up to 60MB)	
Event Notification	Remote S/W, Email (with Image)	
Audio In/ Out	1 (Line-in) / 1 (Line-out)	
Alarm In/ Out	1 / 1	
ENVIRONMENTAL		
Vandal-proof Casing	Yes	
Out-door Ready	IP66	
Operating Temperature	-10 ~ 50°C (Starting up: Above 0°C)	
Operating Humidity	0% ~ 90%	
ELECTRICAL		
Power Source	12VDC, PoE (IEEE802.3af class 2)	
Power Consumption	4.8W	
Approval	FCC, CE (50130-4), KC	
MECHANICAL		
Unit Dimensions \varnothing x H (mm)	\varnothing 160 x 112mm	
Unit Weight (kg)	0.87 kg	

Full HD Vandal-Resistant IR Camera

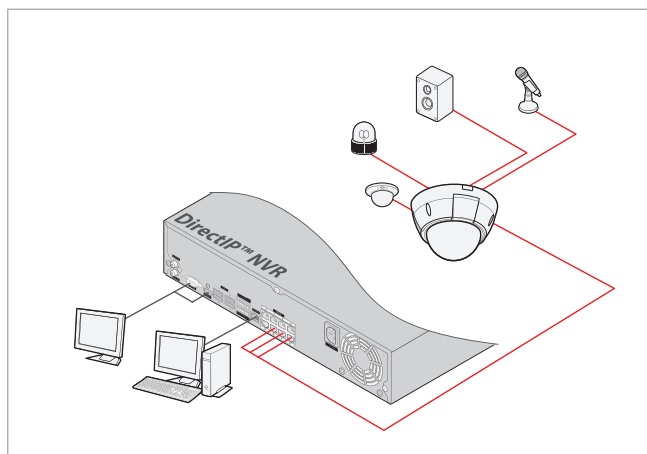
DC-D1223WR



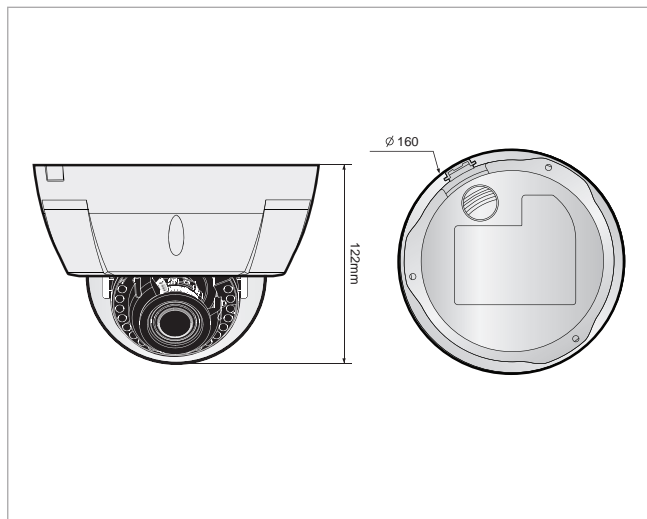
KEY FEATURES

- Easy installation with DirectIP NVR
- Full HD (1080p) resolution
- Vari-focal Lens (f= 3.3 - 10mm)
- IR LED (Distance : 20m)
- Day&Night (ICR)
- Vandal Proof / IP66 supports
- Micro SD (SDHC) memory slot
- Two-way audio
- Alarm in / out
- PoE (IEEE 802.3af Class 2), 12V DC

CONNECTION DIAGRAM



DIMENSIONS



SPECIFICATIONS

VIDEO		
Image Sensor	1/2.7" CMOS	
Max. Resolution	1920 x 1080	
Scanning Mode	Progressive Scan	
Lens	Vari-focal (f= 3 - 9mm, F1.2 - 2.3)	
IRIS Control	DC Auto Iris	
Angular Field of View	Wide : 123°(H), 64°(V), 131°(D) Tele : 37°(H), 20°(V), 43°(D)	
Min. Illumination	COLOR : 0.3 lux @ F1.2 (50 IRE) B/W : 0 lux (50 IRE, IR LED ON)	
S/N Ratio	more than 45dB	
Dynamic Range	more than 70dB (90dB@digital WDR)	
Electronic Shutter Speed	Auto / Manual (1/30 ~ 1/8000), Anti-Flicker, Slow Shutter(1/7.5,1/15)	
True Day & Night	Yes (ICR)	
IR Distance (LEDs)	20 m (18 ea)	
Video Quality Compensation	Auto Expose, Auto White Balance, Digital Noise Reduction Backlight Compensation, HSBC	
Privacy Masking	16 Zones	
Intelligent Video	Video Motion Detection, Active Tampering Alarm, Trip Zone	
Video Out	1 Terminal Block (NTSC/PAL Selectable)	
NETWORK		
	DirectIP Mode	Compatibility Mode
Video Compression	H.264(MP), M-JPEG	IDIS
Bitrate Control	H.264 - CBR / VBR	ONVIF Profile S
Max. Frame Rate	30fps : 1920 x 1080	1920x1080, 1280x720, 704x480, 352x240
Audio Compression	G.726, G.711	
Two-way Audio	Yes	
IP Camera Protocol	DirectIP	IDIS
Supported Resolution	1920x1080, 1280x720, 704x480, 640x360, 352x240	1920x1080, 1280x720, 704x480, 352x240
Multi-Video Streaming	Quadruple streaming	Triple streaming
Network Protocols	Direct IP Protocol	RTP/RTSP/TCP, RTP/RTSP/HTTP/TCP, RTP/UDP RTSP/TCP, HTTP, HTTPS, FTP, SMTP, FEN, mDNS, uPNP
Security	SSL Encryption	Multi-User Authority, IEEE 802.1x IP Filtering, HTTPS, SSL Encryption
Remote Access Client	DirectIP™ NVR connection	IDIS Web, IDIS Mobile, IDIS Solution Suite
Ethernet	RJ45 (10/100BASE-T)	
Memory Slot	Micro SD (SDHC)	
ALARM & EVENT		
Trigger Event	Motion Detection, Alarm in, Audio detection, Tampering, TripZone	
Event Buffering (Pre & Post)	yes (up to 60MB)	
Event Notification	Remote S/W, Email (with Image)	
Audio In/ Out	1 (Line-in) / 1 (Line-out)	
Alarm In/ Out	1 / 1	
ENVIRONMENTAL		
Vandal-proof Casing	Yes	
Out-door Ready	IP66	
Operating Temperature	-10 ~ 50°C (Starting up: Above 0°C)	
Operating Humidity	0% ~ 90%	
ELECTRICAL		
Power Source	12VDC, PoE (IEEE802.3af class 2)	
Power Consumption	4.8W	
Approval	FCC, CE (50130-4), KC	
MECHANICAL		
Unit Dimensions \varnothing x H (mm)	\varnothing 160mm x 122mm	
Unit Weight (kg)	0.87 kg	

Full HD Vandal-Resistant IR Camera

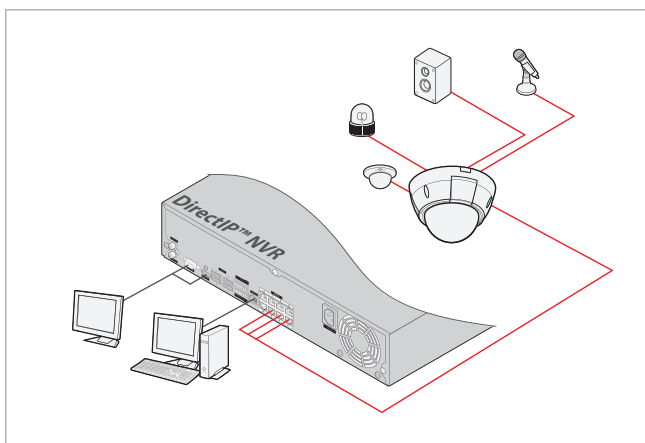
DC-D1223WHR



KEY FEATURES

- Easy installation with DirectIP NVR
- Full HD (1080p) resolution
- Vari-focal Lens (f= 3 - 9mm)
- IR LED (Distance : 20m)
- Day&Night (ICR)
- Vandal Proof / IP66 supports
- Micro SD (SDHC) memory slot
- Two-way audio
- Alarm in / out
- Heater installed
- PoE (IEEE 802.3af Class 2), 12V DC

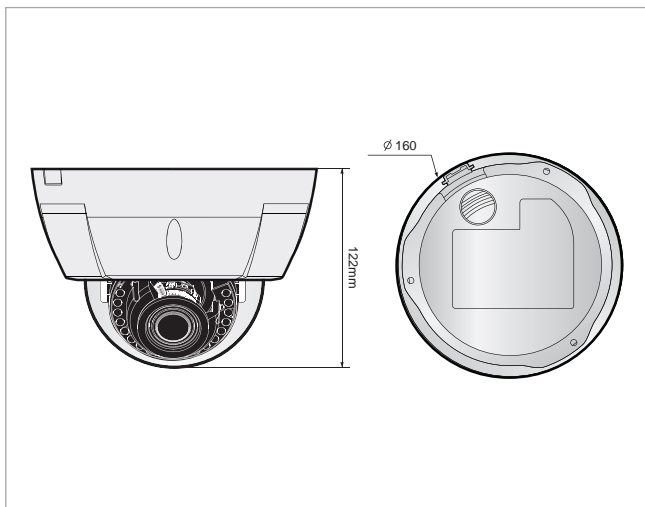
CONNECTION DIAGRAM



SPECIFICATIONS

VIDEO		
Image Sensor	1/2.7" CMOS	
Max. Resolution	1920 x 1080	
Scanning Mode	Progressive Scan	
Lens	Vari-focal (f= 3 - 9mm, F1.2 - 2.3)	
IRIS Control	DC Auto Iris	
Angular Field of View	Wide : 123°(H), 64°(V), 131°(D) Tele : 37°(H), 20°(V), 43°(D)	
Min. Illumination	COLOR : 0.3 lux @ F1.2 (50 IRE) B/W : 0 lux (50 IRE, IR LED ON)	
S/N Ratio	more than 45dB	
Dynamic Range	more than 70dB (90dB@digital WDR)	
Electronic Shutter Speed	Auto / Manual (1/30 ~ 1/8000), Anti-Flicker, Slow Shutter(1/7.5,1/15)	
True Day & Night	Yes (ICR)	
IR Distance (LEDs)	20 m (18 ea)	
Video Quality Compensation	Auto Expose, Auto White Balance, Digital Noise Reduction Backlight Compensation, HSBC	
Privacy Masking	16 Zones	
Intelligent Video	Video Motion Detection, Active Tampering Alarm, Trip Zone	
Video Out	1 Terminal Block (NTSC/PAL Selectable)	
NETWORK		
	DirectIP Mode	Compatibility Mode
Video Compression	H.264(MP), M-JPEG	
Bitrate Control	H.264 - CBR / VBR	
Max. Frame Rate	30fps : 1920 x 1080	
Audio Compression	G.726, G.711	
Two-way Audio	Yes	
IP Camera Protocol	DirectIP	IDIS ONVIF Profile S
Supported Resolution	1920x1080, 1280x720, 704x480, 640x360, 352x240	1920x1080, 1280x720, 704x480, 352x240
Multi-Video Streaming	Quadruple streaming	Triple streaming
Network Protocols	Direct IP Protocol	RTP/RTSP/TCP, RTP/RTSP/HTTP/TCP, RTP/UDP RTSP/TCP, HTTP, HTTPS, FTP, SNTP, SMTP, FEN, mDNS, uPNP
Security	SSL Encryption	Multi-User Authority, IEEE 802.1x IP Filtering, HTTPS, SSL Encryption
Remote Access Client	DirectIP™ NVR connection	IDIS Web, IDIS Mobile, IDIS Solution Suite
Ethernet	RJ45 (10/100BASE-T)	
Memory Slot	Micro SD (SDHC)	
ALARM & EVENT		
Trigger Event	Motion Detection, Alarm in, Audio detection, Tampering, TripZone	
Event Buffering (Pre & Post)	yes (up to 60MB)	
Event Notification	Remote S/W, Email (with Image)	
Audio In/ Out	1 (Line-in) / 1 (Line-out)	
Alarm In/ Out	1 / 1	
ENVIRONMENTAL		
Vandal-proof Casing	Yes	
Out-door Ready	IP66, Heater	
Operating Temperature	-20°C - 50°C (Heater on DC 12V input only)	
Operating Humidity	0% ~ 90%	
ELECTRICAL		
Power Source	12VDC, PoE(IEEE802.3af class 2)	
Power Consumption	19.2W (Heater on DC 12V input)	
Approval	FCC, CE (50130-4), KC	
MECHANICAL		
Unit Dimensions Ø x H (mm)	Ø160 x 122mm	
Unit Weight (kg)	0.87 kg	

DIMENSIONS





Full HD Vandal-Resistant WDR Dome Camera

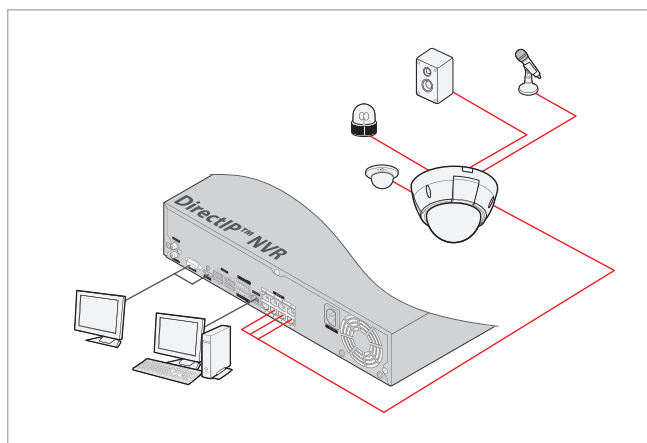
DC-D1223WX NEW



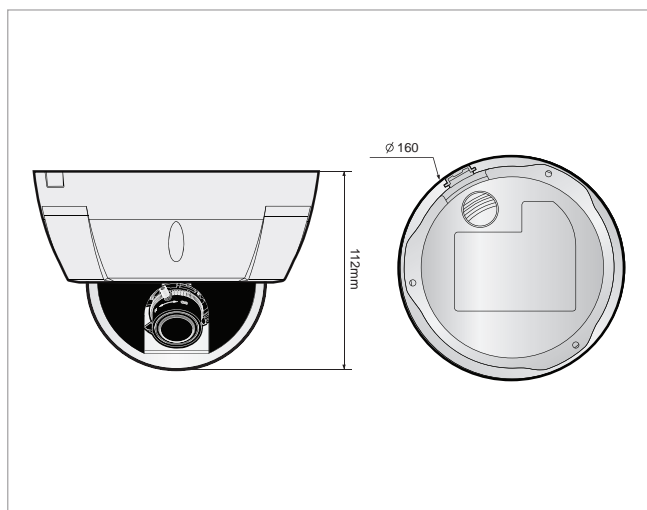
KEY FEATURES

- Easy installation with DirectIP NVR
- Full HD (1080p) resolution
- Vari-focal Lens (f= 3 - 9mm)
- True WDR (Wide Dynamic Range)
- DIS (Digital Image Stabilizer)
- Day&Night (ICR)
- Vandal Proof / IP66 supports
- Micro SD (SDHC) memory slot
- Two-way audio
- Alarm in / out
- PoE (IEEE 802.3af Class 2), 12V DC

CONNECTION DIAGRAM



DIMENSIONS



SPECIFICATIONS

VIDEO		
Image Sensor	1/2.8" CMOS	
Max. Resolution	1920 x 1080	
Scanning Mode	Progressive Scan	
Lens	Vari-focal (f= 3 - 9mm, F1.2 - 2.3)	
IRIS Control	DC Auto Iris	
Angular Field of View	Wide : 111.88°(H), 59.74°(V), 133.18°(D)	
	Tele : 37.76°(H), 21.33°(V), 57.13°(D)	
Min. Illumination	COLOR : 0.01 lux @ F1.2 (50 IRE)	
	B/W : 0.004 lux @ F1.2 (50 IRE)	
S/N Ratio	more than 45dB	
Dynamic Range	108dB (True WDR)	
Electronic Shutter Speed	Auto / Manual (1/30 ~ 1/10000), Anti-Flicker, Slow	
True Day & Night	Yes (ICR)	
IR Distance (LEDs)	-	
Video Quality Compensation	Auto Expose, Auto White Balance, Digital Noise Reduction, WDR	
Privacy Masking	16 Zones	
Intelligent Video	Video Motion Detection, Active Tampering Alarm	
Video Out	1 Terminal Block(NTSC/PAL Selectable)	
NETWORK		
	DirectIP Mode	Compatibility Mode
Video Compression	H.264(MP), M-JPEG	IDIS
Bitrate Control	H.264 - CBR / VBR	ONVIF Profile S
Max. Frame Rate	30fps : 1920 x 1080	1920x1080, 1280x720, 704x480, 352x240
Audio Compression	G.726, G.711	
Two-way Audio	Yes	
IP Camera Protocol	DirectIP	IDIS
Supported Resolution	1920x1080, 1280x720, 704x480, 640x360, 352x240	1920x1080, 1280x720, 704x480, 352x240
Multi-Video Streaming	Quadruple streaming	Triple streaming
Network Protocols	Direct IP Protocol	RTP/RTSP/TCP, RTP/RTSP/HTTP/TCP, RTP/UDP RTSP/TCP, HTTP, HTTPS, FTP, SNTP, SMTP, FEN, mDNS, uPNP
		Multi-User Authority, IEEE 802.1x
Security	SSL Encryption	IP Filtering, HTTPS, SSL Encryption
Remote Access Client	DirectIP™ NVR connection	IDIS Web, IDIS Mobile, IDIS Solution Suite
Ethernet	RJ45(10/100BASE-T)	
Memory Slot	Micro SD (SDHC)	
ALARM & EVENT		
Trigger Event	Motion Detection, Alarm in, Audio detection, Tampering, TripZone	
Event Buffering (Pre & Post)	yes (up to 60MB)	
Event Notification	Remote S/W, Email (with Image)	
Audio In/ Out	1 (Line-in) / 1 (Line-out)	
Alarm In/ Out	1 / 1	
ENVIRONMENTAL		
Vandal-proof Casing	IK10	
Out-door Ready	IP66	
Operating Temperature	-10 ~ 50°C (Starting up: Above 0°C)	
Operating Humidity	0% ~ 90%	
ELECTRICAL		
Power Source	12VDC, PoE(IEEE802.3af class 2)	
Power Consumption	4.8W	
Approval	FCC, CE(50130-4), KC	
MECHANICAL		
Unit Dimensions \varnothing x H (mm)	\varnothing 160 x 112mm	
Unit Weight (kg)	0.87kg	



3Megapixel Full HD IR Dome Camera

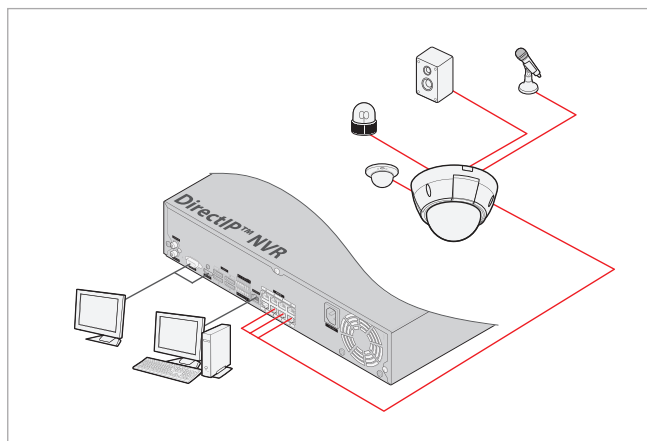
DC-D1323R NEW



KEY FEATURES

- Easy installation with DirectIP NVR
- Max 3M (2304x 1296), Full HD(1080p) resolution
- Vari-focal Lens (f=3 ~ 9mm)
- IR LED (Distance : 20m)
- Day&Night (ICR)
- Micro SD (SDHC) memory slot
- Two-way audio
- Alarm in / out
- PoE (IEEE 802.3af Class 2), 12V DC

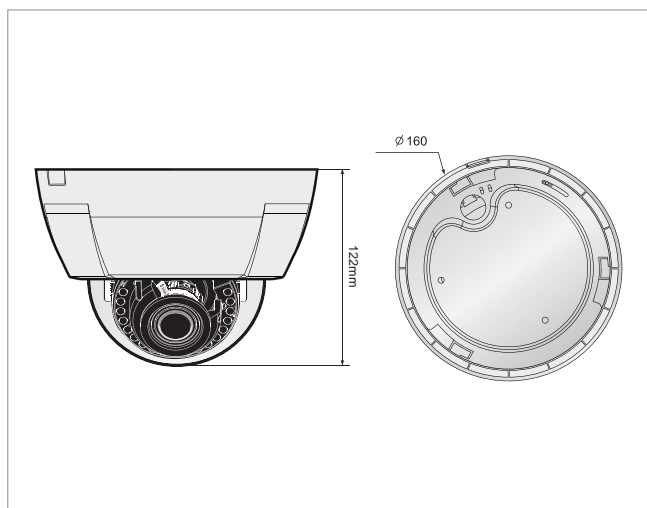
CONNECTION DIAGRAM



SPECIFICATIONS

VIDEO		
Image Sensor	1/3" CMOS	
Max. Resolution	2304x1296	
Scanning Mode	Progressive Scan	
Lens	Vari-focal (f= 3 - 9mm, F1.2 - 2.3)	
IRIS Control	DC Auto Iris	
Angular Field of View	Wide : 107°(H), 57°(V), 127°(D) Tele : 34°(H), 19°(V), 40°(D) COLOR : 0.6 lux @ F1.2 (50 IRE) B/W : 0.01 lux @ F1.2 (50 IRE, IR LED ON)	
Min. Illumination	more than 45dB	
S/N Ratio	more than 70dB(90dB@digital WDR)	
Dynamic Range	Auto / Manual (1/30 ~ 1/8000), Anti-Flicker, Slow Shutter(1/7.5,1/15)	
Electronic Shutter Speed	Yes (ICR)	
True Day & Night	20 m (18 ea)	
IR Distance (LEDs)	Auto Expose, Auto White Balance, Digital Noise Reduction Backlight Compensation, HSBLC	
Video Quality Compensation	16 Zones	
Privacy Masking	Video Motion Detection, Active Tampering Alarm, Trip Zone	
Intelligent Video	1 Terminal Block (NTSC/PAL Selectable)	
Video Out		
NETWORK		
	DirectIP Mode	Compatibility Mode
Video Compression	H.264(MP), M-JPEG	
Bitrate Control	H.264 - CBR / VBR	
Max. Frame Rate	15fps : 2304x1296 30fps : 1920 x 1080	
Audio Compression	G.726, G.711	
Two-way Audio	Yes	
IP Camera Protocol	DirectIP	IDIS ONVIF Profile S
Supported Resolution	2304x1296, 1920x1080, 1280x720, 704x480, 640x360, 352x240	2304x1296, 1920x1080, 1280x720, 704x480, 352x240
Multi-Video Streaming	Quadruple streaming	Triple streaminging RTP/RTSP/TCP, RTP/RTSP/HTTP/TCP, RTP/UDP RTSP/TCP, HTTP, HTTPS, FTP, SNTP, SMTP, FEN, mDNS, uPNP
Network Protocols	Direct IP Protocol	Multi-User Authority, IEEE 802.1x IP Filtering, HTTPS, SSL Encryption
Security	SSL Encryption	IDIS Web, IDIS Mobile, IDIS Solution Suite
Remote Access Client	DirectIP™ NVR connection	
Ethernet	RJ45 (10/100BASE-T)	
Memory Slot	Micro SD (SDHC)	
ALARM & EVENT		
Trigger Event	Motion Detection, Alarm in, Audio detection, Tampering, TripZone	
Event Buffering (Pre & Post)	yes (up to 60MB)	
Event Notification	Remote S/W, Email (with Image)	
Audio In/ Out	1 (Line-in) / 1 (Line-out)	
Alarm In/ Out	1 / 1	
ENVIRONMENTAL		
Vandal-proof Casing	-	
Out-door Ready	-	
Operating Temperature	-10 ~ 50°C (Starting up: Above 0°C)	
Operating Humidity	0% ~ 90%	
ELECTRICAL		
Power Source	12VDC, PoE (IEEE802.3af class 2)	
Power Consumption	4.8W	
Approval	FCC, CE (50130-4), KC	
MECHANICAL		
Unit Dimensions ϕ x H (mm)	ϕ 160mm x 122mm	
Unit Weight (kg)	0.51kg	

DIMENSIONS





3Megapixel Full HD Vandal-Resistant IR Dome Camera

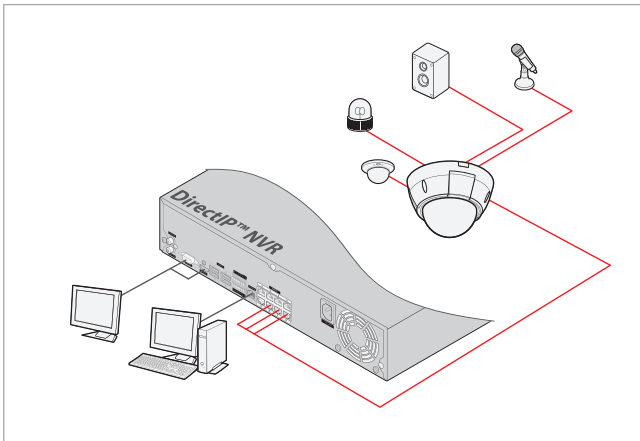
DC-D1323WHR NEW



KEY FEATURES

- Easy installation with DirectIP NVR
- Max 3M (2304 x 1296), Full HD(1080p) resolution
- Vari-focal Lens (f=3 ~ 9mm)
- IR LED (Distance : 20m)
- Day&Night (ICR)
- Vandal Proof / IP66 supports
- Micro SD (SDHC) memory slot
- Two-way audio
- Alarm in / out
- PoE (IEEE 802.3af Class 2), 12V DC

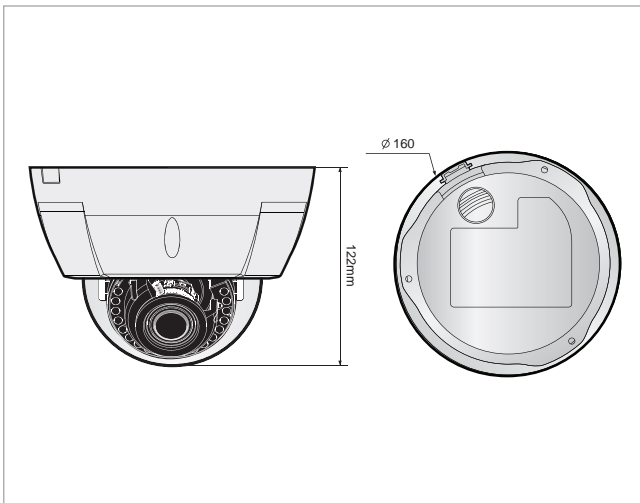
CONNECTION DIAGRAM



SPECIFICATIONS

VIDEO		
Image Sensor	1/3" CMOS	
Max. Resolution	2304x1296	
Scanning Mode	Progressive Scan	
Lens	Vari-focal (f= 3 - 9mm, F1.2 - 2.3)	
IRIS Control	DC Auto Iris	
Angular Field of View	Wide : 107°(H), 57°(V), 127°(D) Tele : 34°(H), 19°(V), 40°(D)	
Min. Illumination	COLOR : 0.6 lux @ F1.2 (50 IRE) B/W : 0 lux (50 IRE, IR LED ON)	
S/N Ratio	more than 45dB	
Dynamic Range	more than 70dB (90dB@digital WDR)	
Electronic Shutter Speed	Auto / Manual (1/30 ~ 1/8000), Anti-Flicker, Slow Shutter(1/7.5,1/15)	
True Day & Night	Yes (ICR)	
IR Distance (LEDs)	20 m (18 ea)	
Video Quality Compensation	Auto Expose, Auto White Balance, Digital Noise Reduction Backlight Compensation, HSBC	
Privacy Masking	16 Zones	
Intelligent Video	Video Motion Detection, Active Tampering Alarm, Trip Zone	
Video Out	1 Terminal Block (NTSC/PAL Selectable)	
NETWORK		
	DirectIP Mode	Compatibility Mode
Video Compression	H.264(MP), M-JPEG	IDIS ONVIF Profile S
Bitrate Control	H.264 - CBR / VBR	
Max. Frame Rate	15fps : 2304x1296 30fps : 1920 x 1080	
Audio Compression	G.726, G.711	
Two-way Audio	Yes	
IP Camera Protocol	DirectIP	IDIS ONVIF Profile S
Supported Resolution	2304x1296, 1920x1080, 1280x720, 704x480, 640x360, 352x240	2304x1296, 1920x1080, 1280x720, 704x480, 352x240
Multi-Video Streaming	Quadruple streaming	Triple streaming
Network Protocols	Direct IP Protocol	RTP/RTSP/TCP, RTP/RTSP/HTTP/TCP, RTP/UDP RTSP/TCP, HTTP, HTTPS, FTP, SNTP, SMTP, FEN, mDNS, uPNP
Security	SSL Encryption	Multi-User Authority, IEEE 802.1x IP Filtering, HTTPS, SSL Encryption
Remote Access Client	DirectIP™ NVR connection	IDIS Web, IDIS Mobile, IDIS Solution Suite
Ethernet	RJ45 (10/100BASE-T)	
Memory Slot	Micro SD (SDHC)	
ALARM & EVENT		
Trigger Event	Motion Detection, Alarm in, Audio detection, Tampering, TripZone	
Event Buffering (Pre & Post)	yes (up to 60MB)	
Event Notification	Remote S/W, Email (with Image)	
Audio In/ Out	1 (Line-in) / 1 (Line-out)	
Alarm In/ Out	1 / 1	
ENVIRONMENTAL		
Vandal-proof Casing	Yes	
Out-door Ready	IP66	
Operating Temperature	-20°C - 50°C (Heater on DC 12V input only)	
Operating Humidity	0% ~ 90%	
ELECTRICAL		
Power Source	12VDC, PoE (IEEE802.3af class 2)	
Power Consumption	19.2W (Heater on DC 12V input)	
Approval	FCC, CE(50130-4), KC	
MECHANICAL		
Unit Dimensions \varnothing x H (mm)	\varnothing 160 x 122mm	
Unit Weight (kg)	0.87kg	

DIMENSIONS





Full HD Dome Camera

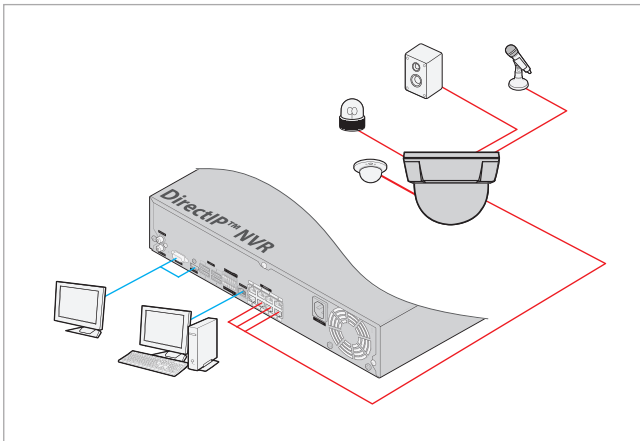
DC-D2233 NEW



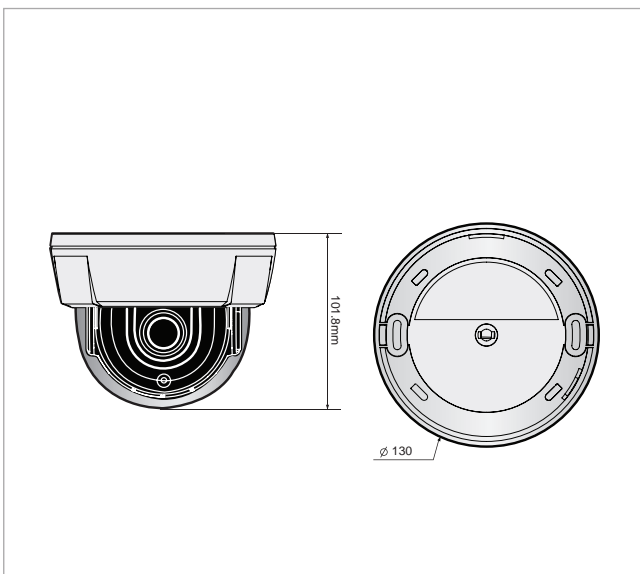
KEY FEATURES

- Easy installation with DirectIP NVR
- Full HD (1080p) resolution
- Motorized Vari-focal Lens (f= 3.3 - 10mm)
- Day&Night (ICR)
- Micro SD (SDHC) memory slot
- Two-way audio
- Alarm in / out
- PoE (IEEE 802.3af Class 3), 12V DC

CONNECTION DIAGRAM



DIMENSIONS



SPECIFICATIONS

VIDEO		
Image Sensor	1/2.8" CMOS	
Max. Resolution	1920 x 1080	
Scanning Mode	Progressive Scan	
Lens	Motorized Vari-focal (f= 3.3 - 10mm, F1.3 - 2.5)	
IRIS Control	DC Auto Iris	
Angular Field of View	Wide : 108.2°(H), 56.2°(V), 129.3°(D) Tele : 35.4°(H), 19.8°(V), 40.5°(D)	
Min. Illumination	COLOR : 0.3 lux @ F1.3 (50 IRE) B/W : 0.002 lux @ F1.3 (50 IRE)	
S/N Ratio	31.2 dB	
Dynamic Range	74.7 dB	
Electronic Shutter Speed	Auto / Manual (1/30 ~ 1/8000), Anti-Flicker, Slow Shutter(1/7.5,1/15)	
True Day & Night	Yes (ICR)	
IR Distance (LEDs)	-	
Video Quality Compensation	Auto Expose, Auto White Balance, Digital Noise Reduction Backlight Compensation, HSBC	
Privacy Masking	16 Zones	
Intelligent Video	Video Motion Detection, Active Tampering Alarm, Trip Zone	
Video Out	1 BNC	
NETWORK		
	DirectIP Mode	Compatibility Mode
Video Compression	H.264(MP), M-JPEG	IDIS
Bitrate Control	H.264 - CBR / VBR	ONVIF Profile S
Max. Frame Rate	30fps : 1920 x 1080	1920x1080, 1280x720, 704x480, 352x240
Audio Compression	G.726, G.711	Triple streaming
Two-way Audio	Yes	RTP/RTSP/TCP, RTP/RTSP/HTTP/TCP, RTP/UDP RTSP/TCP, HTTP, HTTPS, FTP, SNTP, SMTP, FEN, mDNS, uPNP
IP Camera Protocol	DirectIP	Multi-User Authority, IEEE 802.1x IP Filtering, HTTPS, SSL Encryption
Supported Resolution	1920x1080, 1280x720, 704x480, 640x360, 352x240	IDIS Web, IDIS Mobile, IDIS Solution Suite
Multi-Video Streaming	Quadruple streaming	
Network Protocols	Direct IP Protocol	
Security	SSL Encryption	
Remote Access Client	DirectIP™ NVR connection	
Ethernet	RJ45 (10/100BASE-T)	
Memory Slot	Micro SD (SDHC)	
ALARM & EVENT		
Trigger Event	Motion Detection, Alarm in, Audio detection, Tampering, TripZone	
Event Buffering (Pre & Post)	yes (up to 60MB)	
Event Notification	Remote S/W, Email (with Image)	
Audio In/ Out	1 (Line-in) / 1 (Line-out)	
Alarm In/ Out	FCC, CE (50130-4), KC	
ENVIRONMENTAL		
Vandal-proof Casing	-	
Out-door Ready	-	
Operating Temperature	-10 ~ 50°C (Starting up: Above 0°C)	
Operating Humidity	0% ~ 90%	
ELECTRICAL		
Power Source	12VDC, PoE (IEEE802.3af class 3)	
Power Consumption	4.8W	
Approval	FCC, CE(50130-4), KC	
MECHANICAL		
Unit Dimensions Ø x H (mm)	Ø130 x 101.8mm	
Unit Weight (kg)	0.43 Kg	



Full HD IR Dome Camera

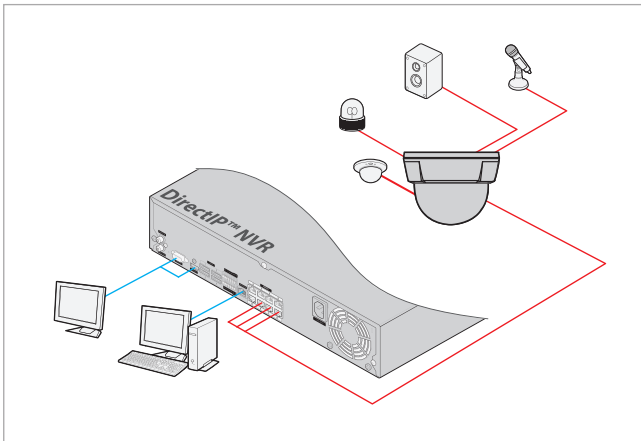
DC-D2233R NEW



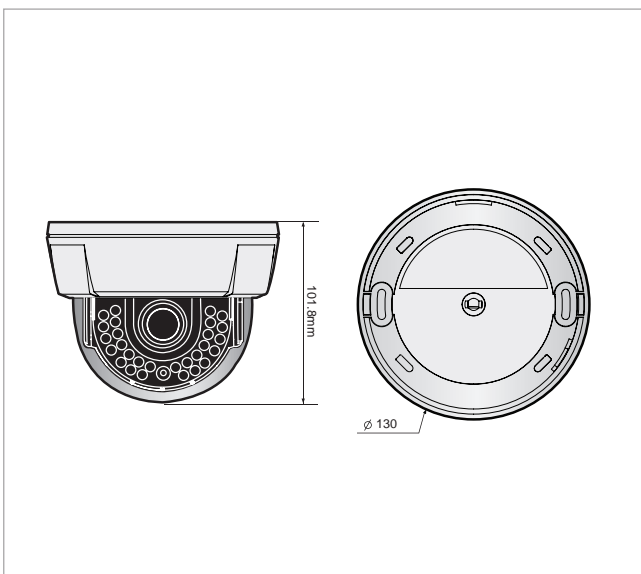
KEY FEATURES

- Easy installation with DirectIP NVR
- Full HD (1080p) resolution
- Motorized Vari-focal Lens (f=3.3~10mm)
- IR LED (Distance : 20m)
- Day&Night (ICR)
- Micro SD (SDHC) memory slot
- Two-way audio
- Alarm in / out
- PoE (IEEE 802.3af Class 3), 12V DC

CONNECTION DIAGRAM



DIMENSIONS



SPECIFICATIONS

VIDEO		
Image Sensor	1/2.8" CMOS	
Max. Resolution	1920 x 1080	
Scanning Mode	Progressive Scan	
Lens	Motorized Vari-focal (f= 3.3 - 10mm, F1.3 - 2.5)	
IRIS Control	DC Auto Iris	
Angular Field of View	Wide : 108.2°(H), 56.2°(V), 129.3°(D) Tele : 35.4°(H), 19.8°(V), 40.5°(D)	
Min. Illumination	COLOR : 0.3 lux @ F1.3 (50 IRE) B/W : 0 lux (50 IRE, IR LED ON)	
S/N Ratio	31.2 dB	
Dynamic Range	74.7 dB	
Electronic Shutter Speed	Auto / Manual (1/30 ~ 1/8000), Anti-Flicker, Slow Shutter(1/7.5,1/15)	
True Day & Night	Yes (ICR)	
IR Distance (LEDs)	20 m (28ea)	
Video Quality Compensation	Auto Expose, Auto White Balance, Digital Noise Reduction Backlight Compensation, HSBC	
Privacy Masking	16 Zones	
Intelligent Video	Video Motion Detection, Active Tampering Alarm, Trip Zone	
Video Out	1 BNC	
NETWORK		
	DirectIP Mode	Compatibility Mode
Video Compression	H.264(MP), M-JPEG	IDIS
Bitrate Control	H.264 - CBR / VBR	ONVIF Profile S
Max. Frame Rate	30fps : 1920 x 1080	1920x1080, 1280x720, 704x480, 352x240
Audio Compression	G.726, G.711	Triple streaming
Two-way Audio	Yes	RTP/RTSP/TCP, RTP/RTSP/HTTP/TCP, RTP/UDP RTSP/TCP, HTTP, HTTPS, FTP, SNTP, SMTP, FEN, mDNS, uPNP
IP Camera Protocol	DirectIP	Multi-User Authority, IEEE 802.1x IP Filtering, HTTPS, SSL Encryption
Supported Resolution	1920x1080, 1280x720, 704x480, 640x360, 352x240	IDIS Web, IDIS Mobile, IDIS Solution Suite
Multi-Video Streaming	Quadruple streaming	
Network Protocols	Direct IP Protocol	
Security	SSL Encryption	
Remote Access Client	DirectIP™ NVR connection	
Ethernet	RJ45(10/100BASE-T)	
Memory Slot	Micro SD (SDHC)	
ALARM & EVENT		
Trigger Event	Motion Detection, Alarm in, Audio detection, Tampering, TripZone	
Event Buffering (Pre & Post)	yes (up to 60MB)	
Event Notification	Remote S/W, Email (with Image)	
Audio In/ Out	1 (Line-in) / 1 (Line-out)	
Alarm In/ Out	1 / 1	
ENVIRONMENTAL		
Vandal-proof Casing	-	
Out-door Ready	-	
Operating Temperature	-10 ~ 50°C (Starting up: Above 0°C)	
Operating Humidity	0% ~ 90%	
ELECTRICAL		
Power Source	12VDC, PoE (IEEE802.3af class 3)	
Power Consumption	4.8W	
Approval	FCC, CE (50130-4), KC	
MECHANICAL		
Unit Dimensions Ø x H (mm)	Ø130 x 101.8mm	
Unit Weight (kg)	0.43 Kg	



Full HD Vandal-Resistant Camera

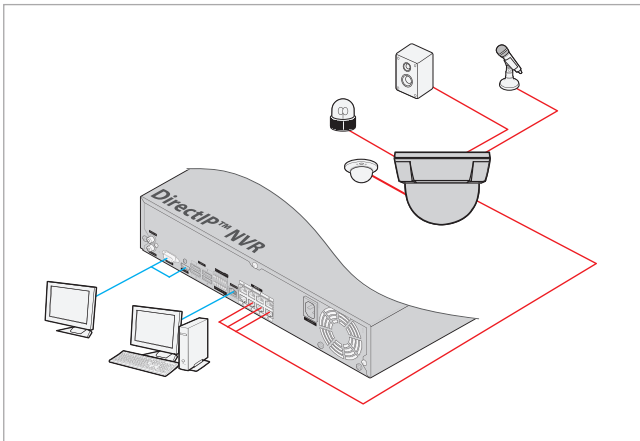
DC-D2233W NEW



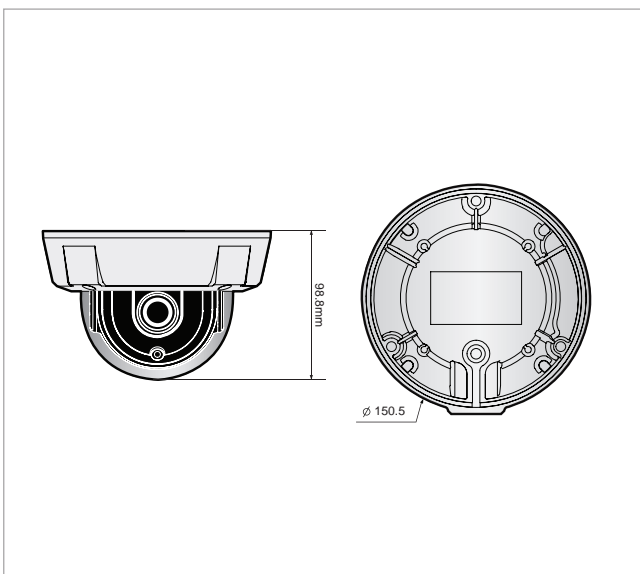
KEY FEATURES

- Easy installation with DirectIP NVR
- Full HD (1080p) resolution
- Motorized Vari-focal Lens (f= 3.3 - 10mm)
- Day&Night (ICR)
- Vandal Proof / IP66 supports
- Micro SD (SDHC) memory slot
- Two-way audio
- Alarm in / out
- PoE (IEEE 802.3af Class 3), 12V DC

CONNECTION DIAGRAM



DIMENSIONS



SPECIFICATIONS

VIDEO		
Image Sensor	1/2.8" CMOS	
Max. Resolution	1920 x 1080	
Scanning Mode	Progressive Scan	
Lens	Motorized Vari-focal (f= 3.3 - 10mm, F1.3 - 2.5)	
IRIS Control	DC Auto Iris	
Angular Field of View	Wide : 108.2°(H), 56.2°(V), 129.3°(D)	
	Tele : 35.4°(H), 19.8°(V), 40.5°(D)	
Min. Illumination	COLOR : 0.3 lux @ F1.3 (50 IRE) B/W : 0.002 lux @ F1.3 (50 IRE)	
S/N Ratio	31.2 dB	
Dynamic Range	74.7 dB	
Electronic Shutter Speed	Auto / Manual (1/30 ~ 1/8000), Anti-Flicker, Slow Shutter(1/7.5,1/15)	
True Day & Night	Yes (ICR)	
IR Distance (LEDs)	-	
Video Quality Compensation	Auto Expose, Auto White Balance, Digital Noise Reduction, Backlight Compensation, HSBC	
Privacy Masking	16 Zones	
Intelligent Video	Video Motion Detection, Active Tampering Alarm, Trip Zone	
Video Out	1 BNC	
NETWORK		
	DirectIP Mode	Compatibility Mode
Video Compression	H.264(MP), M-JPEG	
Bitrate Control	H.264 - CBR / VBR	
Max. Frame Rate	30fps : 1920 x 1080	
Audio Compression	G.726, G.711	
Two-way Audio	Yes	
IP Camera Protocol	DirectIP	IDIS ONVIF Profile S
Supported Resolution	1920x1080, 1280x720, 704x480, 640x360, 352x240	1920x1080, 1280x720, 704x480, 352x240
Multi-Video Streaming	Quadruple streaming	Triple streaming
Network Protocols	Direct IP Protocol	RTP/RTSP/TCP, RTP/RTSP/HTTP/TCP, RTP/UDP RTSP/TCP, HTTP, HTTPS, FTP, SNTP, SMTP, FEN, mDNS, uPNP
		Multi-User Authority, IEEE 802.1x IP Filtering, HTTPS, SSL Encryption
Security	SSL Encryption	
Remote Access Client	DirectIP™ NVR connection	IDIS Web, IDIS Mobile, IDIS Solution Suite
Ethernet	RJ45 (10/100BASE-T)	
Memory Slot	Micro SD (SDHC)	
ALARM & EVENT		
Trigger Event	Motion Detection, Alarm in, Audio detection, Tampering, TripZone	
Event Buffering (Pre & Post)	yes (up to 60MB)	
Event Notification	Remote S/W, Email (with Image)	
Audio In/ Out	1 (Line-in) / 1 (Line-out)	
Alarm In/ Out	1 / 1	
ENVIRONMENTAL		
Vandal-proof Casing	Yes	
Out-door Ready	IP66	
Operating Temperature	-10 ~ 50°C (Starting up: Above 0°C)	
Operating Humidity	0% ~ 90%	
ELECTRICAL		
Power Source	12VDC, PoE (IEEE802.3af class 3)	
Power Consumption	4.8W	
Approval	FCC, CE(50130-4), KC	
MECHANICAL		
Unit Dimensions Ø x H (mm)	Ø150.5 x 98.8mm	
Unit Weight (kg)	0.98 Kg	



Full HD Vandal-Resistant IR Camera

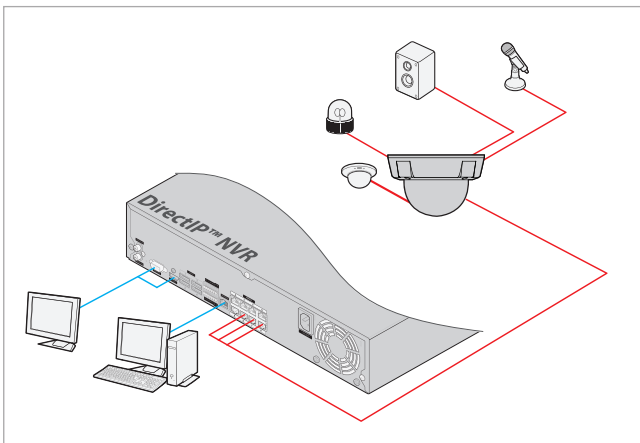
DC-D2233WR NEW



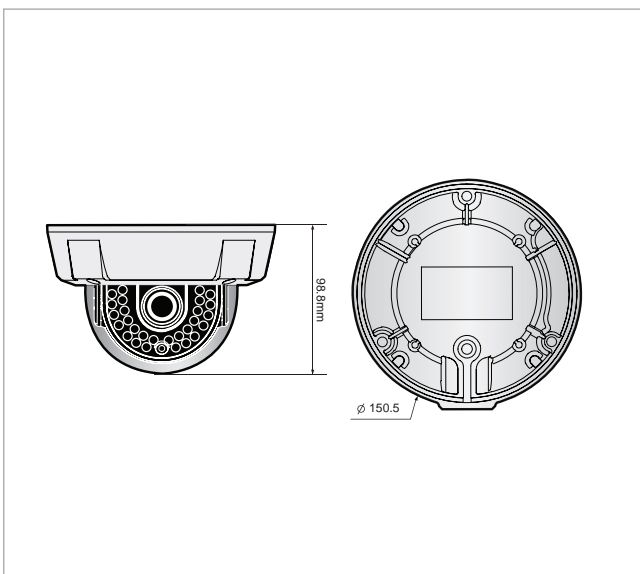
KEY FEATURES

- Easy installation with DirectIP NVR
- Full HD (1080p) resolution
- Motorized Vari-focal Lens (f= 3.3 - 10mm)
- IR LED (Distance : 20m)
- Day&Night (ICR)
- Vandal Proof / IP66 supports
- Micro SD (SDHC) memory slot
- Two-way audio
- Alarm in / out
- PoE (IEEE 802.3af Class 3), 12V DC

CONNECTION DIAGRAM



DIMENSIONS



SPECIFICATIONS

VIDEO		
Image Sensor	1/2.8" CMOS	
Max. Resolution	1920 x 1080	
Scanning Mode	Progressive Scan	
Lens	Motorized Vari-focal (f= 3.3 - 10mm, F1.3 - 2.5)	
IRIS Control	DC Auto Iris	
Angular Field of View	Wide : 108.2°(H), 56.2°(V), 129.3°(D) Tele : 35.4°(H), 19.8°(V), 40.5°(D)	
Min. Illumination	COLOR : 0.3 lux @ F1.3 (50 IRE) B/W : 0 lux (30 IRE, IR LED ON)	
S/N Ratio	31.2 dB	
Dynamic Range	74.7 dB	
Electronic Shutter Speed	Auto / Manual (1/30 ~ 1/8000), Anti-Flicker, Slow Shutter(1/7.5,1/15)	
True Day & Night	Yes (ICR)	
IR Distance (LEDs)	20 m (28ea)	
Video Quality Compensation	Auto Expose, Auto White Balance, Digital Noise Reduction, Backlight Compensation, HSBC	
Privacy Masking	16 Zones	
Intelligent Video	Video Motion Detection, Active Tampering Alarm, Trip Zone	
Video Out	1 BNC	
NETWORK		
	DirectIP Mode	Compatibility Mode
Video Compression	H.264(MP), M-JPEG	
Bitrate Control	H.264 - CBR / VBR	
Max. Frame Rate	30fps : 1920 x 1080	
Audio Compression	G.726, G.711	
Two-way Audio	Yes	
IP Camera Protocol	DirectIP	IDIS ONVIF Profile S
Supported Resolution	1920x1080, 1280x720, 704x480, 640x360, 352x240	1920x1080, 1280x720, 704x480, 352x240
Multi-Video Streaming	Quadruple streaming	Triple streaming
Network Protocols	Direct IP Protocol	RTP/RTSP/TCP, RTP/RTSP/HTTP/TCP, RTP/UDP RTSP/TCP, HTTP, HTTPS, FTP, SNTP, SMTP, FEN, mDNS, uPNP
Security	SSL Encryption	Multi-User Authority, IEEE 802.1x IP Filtering, HTTPS, SSL Encryption
Remote Access Client	DirectIP™ NVR connection	IDIS Web, IDIS Mobile, IDIS Solution Suite
Ethernet	RJ45 (10/100BASE-T)	
Memory Slot	Micro SD (SDHC)	
ALARM & EVENT		
Trigger Event	Motion Detection, Alarm in, Audio detection, Tampering, TripZone	
Event Buffering (Pre & Post)	yes (up to 60MB)	
Event Notification	Remote S/W, Email (with Image)	
Audio In/ Out	1 (Line-in) / 1 (Line-out)	
Alarm In/ Out	1 / 1	
ENVIRONMENTAL		
Vandal-proof Casing	Yes	
Out-door Ready	IP66	
Operating Temperature	-10 ~ 50°C (Starting up: Above 0°C)	
Operating Humidity	0% ~ 90%	
ELECTRICAL		
Power Source	12VDC, PoE(IEEE802.3af class 3)	
Power Consumption	4.8W	
Approval	FCC, CE(50130-4), KC	
MECHANICAL		
Unit Dimensions Ø x H (mm)	Ø150.5 x 98.8mm	
Unit Weight(kg)	0.98 Kg	

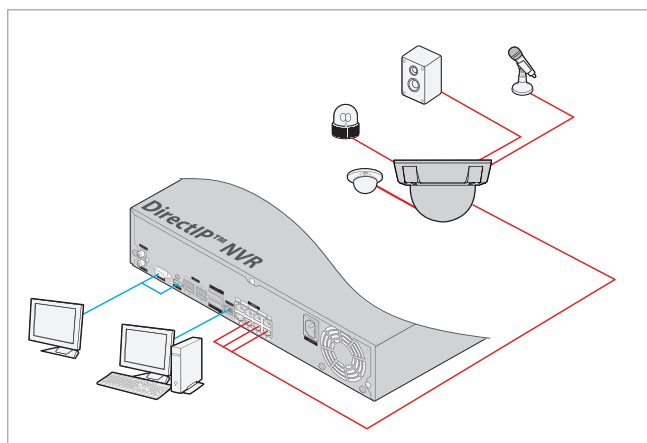
DC-D2233WHR NEW



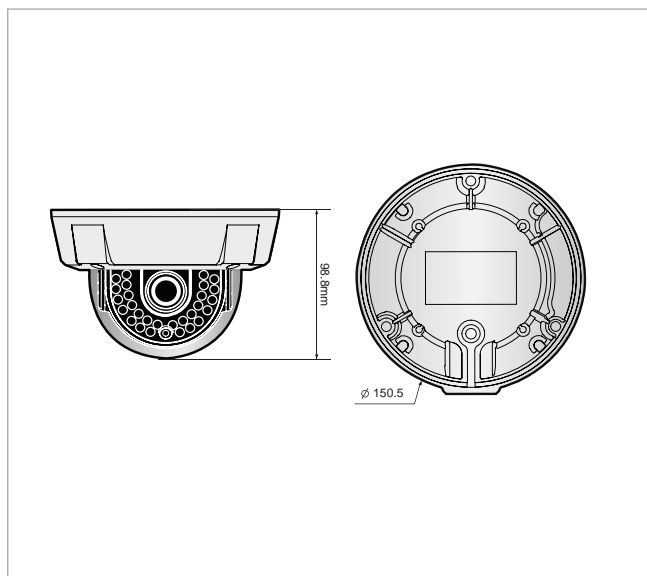
KEY FEATURES

- Easy installation with DirectIP NVR
- Full HD (1080p) resolution
- Motorized Vari-focal Lens (f= 3.3 - 10mm)
- IR LED (Distance : 20m)
- Day&Night (ICR)
- Vandal Proof / IP66 supports
- Micro SD (SDHC) memory slot
- Two-way audio
- Alarm in / out
- Heater installed
- PoE (IEEE 802.3af Class 3), 12V DC

CONNECTION DIAGRAM



DIMENSIONS



SPECIFICATIONS

VIDEO		
Image Sensor	1/2.8" CMOS	
Max. Resolution	1920 x 1080	
Scanning Mode	Progressive Scan	
Lens	Motorized Vari-focal (f= 3.3 - 10mm, F1.3 - 2.5)	
IRIS Control	DC Auto Iris	
Angular Field of View	Wide : 108.2°(H), 56.2°(V), 129.3°(D) Tele : 35.4°(H), 19.8°(V), 40.5°(D)	
Min. Illumination	COLOR : 0.3 lux @ F1.3 (50 IRE) B/W : 0 lux (50 IRE, IR LED ON)	
S/N Ratio	31.2 dB	
Dynamic Range	74.7 dB	
Electronic Shutter Speed	Auto / Manual (1/30 ~ 1/8000), Anti-Flicker, Slow Shutter(1/7.5,1/15)	
True Day & Night	Yes (ICR)	
IR Distance (LEDs)	20 m (28ea)	
Video Quality Compensation	Auto Expose, Auto White Balance, Digital Noise Reduction Backlight Compensation, HSBC	
Privacy Masking	16 Zones	
Intelligent Video	Video Motion Detection, Active Tampering Alarm, Trip Zone	
Video Out	1 BNC	
NETWORK		
	DirectIP Mode	Compatibility Mode
Video Compression	H.264(MP), M-JPEG	IDIS
Bitrate Control	H.264 - CBR / VBR	ONVIF Profile S
Max. Frame Rate	30fps : 1920 x 1080	1920x1080, 1280x720, 704x480, 352x240
Audio Compression	G.726, G.711	Triple streaming
Two-way Audio	Yes	RTP/RTSP/TCP, RTP/RTSP/HTTP/TCP, RTP/UDP RTSP/TCP, HTTP, HTTPS, FTP, SNTP, SMTP, FEN, mDNS, uPNP
IP Camera Protocol	DirectIP	Multi-User Authority, IEEE 802.1x IP Filtering, HTTPS, SSL Encryption
Supported Resolution	1920x1080, 1280x720, 704x480, 640x360, 352x240	IDIS Web, IDIS Mobile, IDIS Solution Suite
Multi-Video Streaming	Quadruple streaming	
Network Protocols	Direct IP Protocol	
Security	SSL Encryption	
Remote Access Client	DirectIP™ NVR connection	
Ethernet	RJ45(10/100BASE-T)	
Memory Slot	Micro SD (SDHC)	
ALARM & EVENT		
Trigger Event	Motion Detection, Alarm in, Audio detection, Tampering, TripZone	
Event Buffering (Pre & Post)	yes (up to 60MB)	
Event Notification	Remote S/W, Email (with Image)	
Audio In/ Out	1 (Line-in) / 1 (Line-out)	
Alarm In/ Out	1 / 1	
ENVIRONMENTAL		
Vandal-proof Casing	Yes	
Out-door Ready	IP66, Heater	
Operating Temperature	-20°C - 50°C (Heater on DC 12V input only)	
Operating Humidity	0% ~ 90%	
ELECTRICAL		
Power Source	12VDC, PoE (IEEE802.3af class 3)	
Power Consumption	14.4W (Heater on DC 12V input)	
Approval	FCC, CE(50130-4), KC	
MECHANICAL		
Unit Dimensions Ø x H (mm)	Ø150.5 x 98.8mm	
Unit Weight (kg)	0.98 Kg	



Full HD Flush Dome Camera

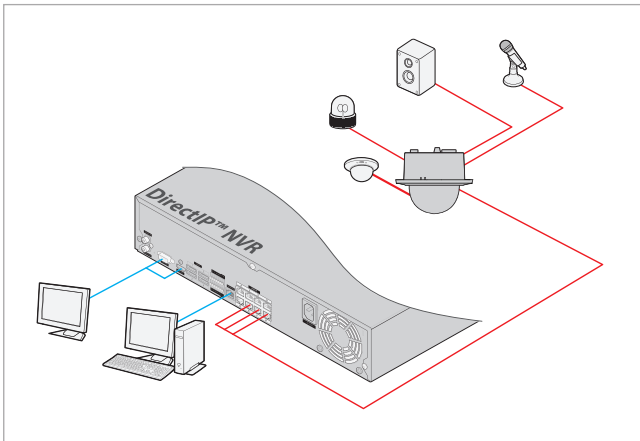
DC-D1223F



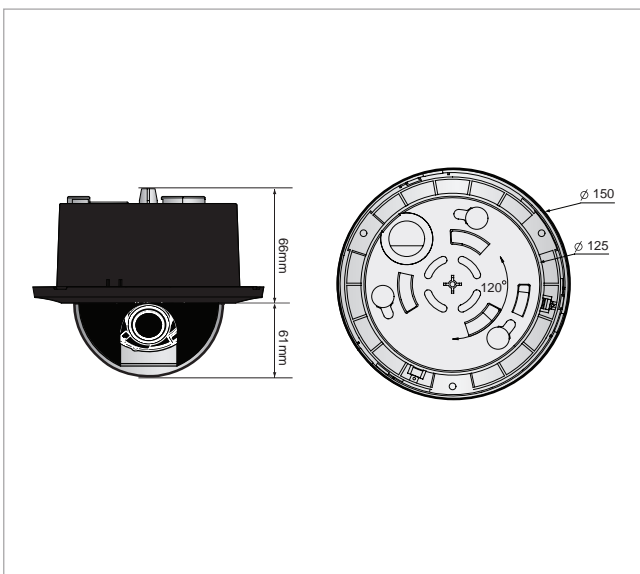
KEY FEATURES

- Easy installation with DirectIP NVR
- Full HD (1080p) resolution
- Vari-focal Lens (f=3 ~ 9mm)
- Day&Night (ICR)
- Vandal Proof / IP66 supports
- Micro SD (SDHC) memory slot
- Two-way audio
- Alarm in / out
- PoE (IEEE 802.3af Class 2), 12V DC

CONNECTION DIAGRAM



DIMENSIONS



SPECIFICATIONS

VIDEO		
Image Sensor	1/2.7" CMOS	
Max. Resolution	1920 x 1080	
Scanning Mode	Progressive Scan	
Lens	Vari-focal (f= 3 - 9mm, F1.2 - 2.3)	
IRIS Control	DC Auto Iris	
Angular Field of View	Wide : 123°(H), 64°(V), 131°(D) Tele : 37°(H), 20°(V), 43°(D)	
Min. Illumination	COLOR : 0.3 lux @ F1.2 (50 IRE) B/W : 0.002 lux @ F1.2 (50 IRE)	
S/N Ratio	more than 45dB	
Dynamic Range	more than 70dB (90dB@digital WDR)	
Electronic Shutter Speed	Auto / Manual (1/30 ~ 1/8000), Anti-Flicker, Slow Shutter(1/7.5,1/15)	
True Day & Night	Yes (ICR)	
IR Distance (LEDs)	-	
Video Quality Compensation	Auto Expose, Auto White Balance, Digital Noise Reduction Backlight Compensation, HSBC	
Privacy Masking	16 Zones	
Intelligent Video	Video Motion Detection, Active Tampering Alarm, Trip Zone	
Video Out	1 Terminal Block(NTSC/PAL Selectable)	
NETWORK		
	DirectIP Mode	Compatibility Mode
Video Compression	H.264(MP), M-JPEG	IDIS
Bitrate Control	H.264 - CBR / VBR	ONVIF Profile S
Max. Frame Rate	30fps : 1920 x 1080	1920x1080, 1280x720, 704x480, 352x240
Audio Compression	G.726, G.711	Triple streaming
Two-way Audio	Yes	RTP/RTSP/TCP, RTP/RTSP/HTTP/TCP, RTP/UDP RTSP/TCP, HTTP, HTTPS, FTP, SNTP, SMTP, FEN, mDNS, uPNP
IP Camera Protocol	DirectIP	Multi-User Authority, IEEE 802.1x IP Filtering, HTTPS, SSL Encryption
Supported Resolution	1920x1080, 1280x720, 704x480, 640x360, 352x240	IDIS Web, IDIS Mobile, IDIS Solution Suite
Multi-Video Streaming	Quadruple streaming	
Network Protocols	Direct IP Protocol	
Security	SSL Encryption	
Remote Access Client	DirectIP™ NVR connection	
Ethernet	RJ45(10/100BASE-T)	
Memory Slot	Micro SD (SDHC)	
ALARM & EVENT		
Trigger Event	Motion Detection, Alarm in, Audio detection, Tampering, TripZone	
Event Buffering (Pre & Post)	yes (up to 60MB)	
Event Notification	Remote S/W, Email (with Image)	
Audio In/ Out	1 (Line-in) / 1 (Line-out)	
Alarm In/ Out	1 / 1	
ENVIRONMENTAL		
Vandal-proof Casing	-	
Out-door Ready	-	
Operating Temperature	-10 ~ 50°C (Starting up: Above 0°C)	
Operating Humidity	0% ~ 90%	
ELECTRICAL		
Power Source	12VDC, PoE (IEEE802.3af class 2)	
Power Consumption	4.8W	
Approval	FCC, CE (50130-4), KC	
MECHANICAL		
Unit Dimensions Ø x H (mm)	Ø150 x 127mm	
Unit Weight (kg)	0.51kg	

Full HD Flush IR Dome Camera

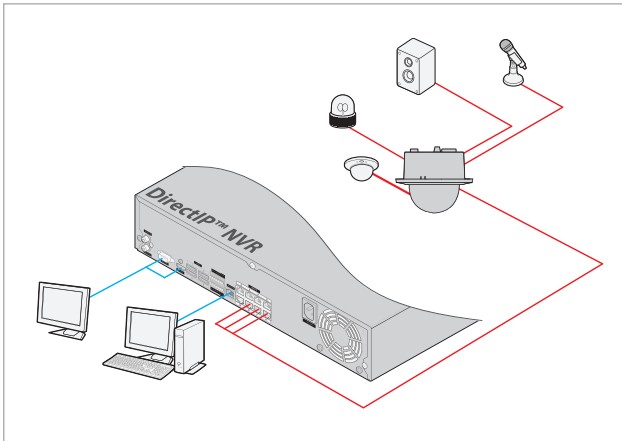
DC-D1223FR



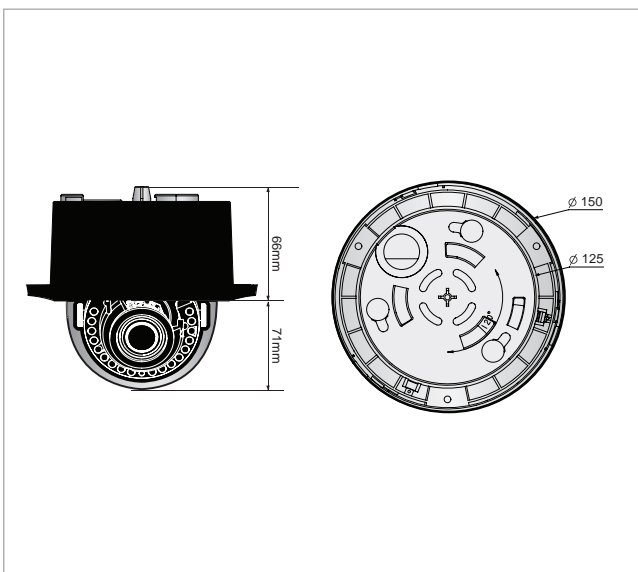
KEY FEATURES

- Easy installation with DirectIP NVR
- Full HD (1080p) resolution
- Vari-focal Lens (f=3 ~ 9mm)
- IR LED (Distance : 20m)
- Day&Night (ICR)
- Micro SD (SDHC) memory slot
- Two-way audio
- Alarm in / out
- PoE (IEEE 802.3af Class 2), 12V DC

CONNECTION DIAGRAM



DIMENSIONS



SPECIFICATIONS

VIDEO		
Image Sensor	1/2.7" CMOS	
Max. Resolution	1920 x 1080	
Scanning Mode	Progressive Scan	
Lens	Vari-focal (f= 3 - 9mm, F1.2 - 2.3)	
IRIS Control	DC Auto Iris	
Angular Field of View	Wide : 123°(H), 64°(V), 131°(D) Tele : 37°(H), 20°(V), 43°(D)	
Min. Illumination	COLOR : 0.3 lux @ F1.2 (50 IRE) B/W : 0 lux (50 IRE, IR LED ON)	
S/N Ratio	more than 45dB	
Dynamic Range	more than 70dB (90dB@digital WDR)	
Electronic Shutter Speed	Auto / Manual (1/30 ~ 1/8000), Anti-Flicker, Slow Shutter(1/7.5,1/15)	
True Day & Night	Yes (ICR)	
IR Distance (LEDs)	20 m (18 ea)	
Video Quality Compensation	Auto Expose, Auto White Balance, Digital Noise Reduction Backlight Compensation, HSBC	
Privacy Masking	16 Zones	
Intelligent Video	Video Motion Detection, Active Tampering Alarm, Trip Zone	
Video Out	1 Terminal Block (NTSC/PAL Selectable)	
NETWORK		
	DirectIP Mode	Compatibility Mode
Video Compression	H.264(MP), M-JPEG	IDIS
Bitrate Control	H.264 - CBR / VBR	ONVIF Profile S
Max. Frame Rate	30fps : 1920 x 1080	1920x1080, 1280x720, 704x480, 352x240
Audio Compression	G.726, G.711	
Two-way Audio	Yes	
IP Camera Protocol	DirectIP	
Supported Resolution	1920x1080, 1280x720, 704x480, 640x360, 352x240	1920x1080, 1280x720, 704x480, 352x240
Multi-Video Streaming	Quadruple streaming	Triple streaming
Network Protocols	Direct IP Protocol	RTP/RTSP/TCP, RTP/RTSP/HTTP/TCP, RTP/UDP RTSP/TCP, HTTP, HTTPS, FTP, SNMP, SMTP, FEN, mDNS, uPNP
Security	SSL Encryption	Multi-User Authority, IEEE 802.1x IP Filtering, HTTPS, SSL Encryption
Remote Access Client	DirectIP™ NVR connection	IDIS Web, IDIS Mobile, IDIS Solution Suite
Ethernet	RJ45 (10/100BASE-T)	
Memory Slot	Micro SD (SDHC)	
ALARM & EVENT		
Trigger Event	Motion Detection, Alarm in, Audio detection, Tampering, TripZone	
Event Buffering (Pre & Post)	yes (up to 60MB)	
Event Notification	Remote S/W, Email (with Image)	
Audio In/ Out	1 (Line-in) / 1 (Line-out)	
Alarm In/ Out	1 / 1	
ENVIRONMENTAL		
Vandal-proof Casing	-	
Out-door Ready	-	
Operating Temperature	-10 ~ 50°C (Starting up: Above 0°C)	
Operating Humidity	0% ~ 90%	
ELECTRICAL		
Power Source	12VDC, PoE (IEEE802.3af class 2)	
Power Consumption	4.8W	
Approval	FCC, CE (50130-4), KC	
MECHANICAL		
Unit Dimensions ϕ x H (mm)	ϕ 150 x 137mm	
Unit Weight (kg)	0.51kg	

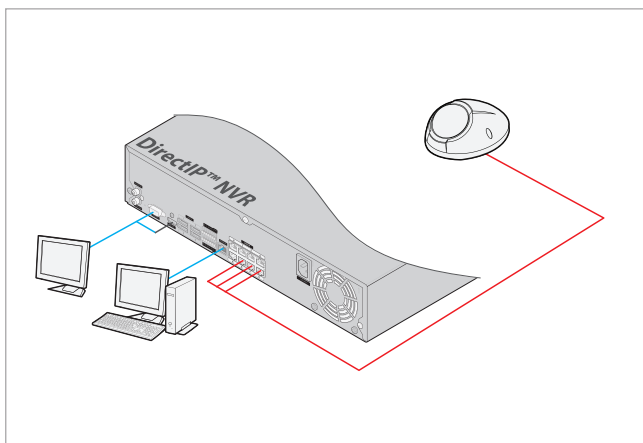
DC-F1111



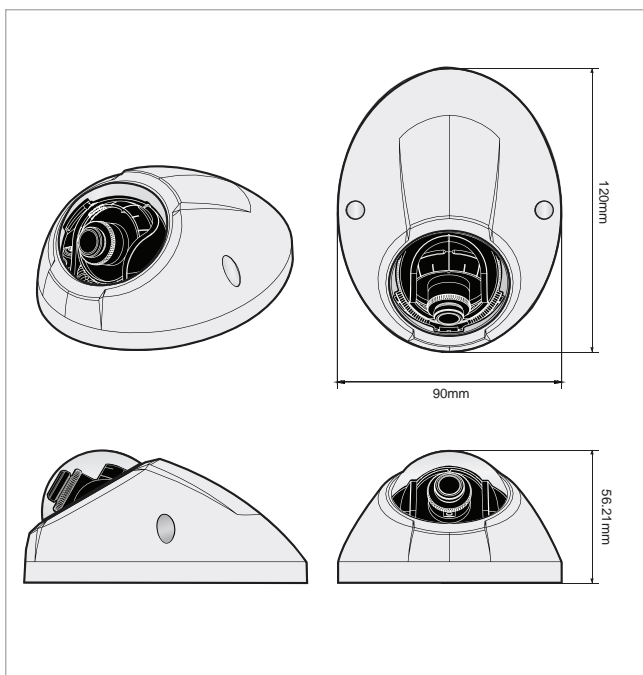
KEY FEATURES

- Easy installation with DirectIP NVR
- Low Profile Type
- HD (720p) resolution
- Fixed Lens (f=2.8mm)
- PoE supports
- Supports ONVIF

CONNECTION DIAGRAM



DIMENSIONS



SPECIFICATIONS

VIDEO		
Image Sensor	1/4" CMOS	
Max. Resolution	1280 x 720	
Scanning Mode	Progressive Scan	
Lens	Fixed-focal (f=2.8mm, F2.0)	
IRIS Control	Fixed IRIS	
Angular Field of View	81.4°(H), 45.2°(V), 94.7°(D)	
Min. Illumination	COLOR : 0.4 lux @ F2.0 (50 IRE) B/W : 0.2 lux @ F2.0 (50 IRE)	
S/N Ratio	more than 45dB	
Dynamic Range	more than 70dB	
Electronic Shutter Speed	Auto / Manual (1/30 ~ 1/8000), Anti-Flicker, Slow Shutter(1/7.5,1/15)	
True Day & Night	-	
IR Distance (LEDs)	-	
Video Quality Compensation	Auto Expose, Auto White Balance, Digital Noise Reduction, Backlight Compensation, HSBC	
Privacy Masking	16 Zones	
Intelligent Video	Video Motion Detection, Active Tampering Alarm, Trip Zone	
Video Out	1 BNC	
NETWORK		
	DirectIP Mode	Compatibility Mode
Video Compression	H.264(MP), M-JPEG	
Bitrate Control	H.264 - CBR / VBR	
Max. Frame Rate	30fps : 1280 x 720	
Audio Compression	-	
Two-way Audio	-	
IP Camera Protocol	DirectIP	IDIS ONVIF Profile S
Supported Resolution	1280x720, 704x480, 640x360, 352x240	1280x720, 704x480, 352x240
Multi-Video Streaming	Quadruple streaming	Triple streaming
Network Protocols	Direct IP Protocol	RTP/RTSP/TCP, RTP/RTSP/HTTP/TCP, RTP/UDP RTSP/TCP, HTTP, HTTPS, FTP, SNTP, SMTP, FEN, mDNS, uPNP
Security	SSL Encryption	Multi-User Authority, IEEE 802.1x IP Filtering, HTTPS, SSL Encryption
Remote Access Client	DirectIP™ NVR connection	IDIS Web, IDIS Mobile, IDIS Solution Suite
Ethernet	RJ45(10/100BASE-T)	
Memory Slot	-	
ALARM & EVENT		
Trigger Event	Motion Detection, Tampering, TripZone	
Event Buffering (Pre & Post)	yes (up to 60MB)	
Event Notification	Remote S/W, Email (with Image)	
Audio In/ Out	-	
Alarm In/ Out	-	
ENVIRONMENTAL		
Vandal-proof Casing	-	
Out-door Ready	-	
Operating Temperature	-10 ~ 50°C (Starting up: Above 0°C)	
Operating Humidity	0% ~ 90%	
ELECTRICAL		
Power Source	PoE (IEEE802.3af class 1)	
Power Consumption	3.0W	
Approval	FCC, CE (50130-4), KC	
MECHANICAL		
Unit Dimensions Ø x H (mm)	95mm x 56.21mm x 120mm	
Unit Weight (kg)	0.25 kg	

Full HD Flat Dome Camera

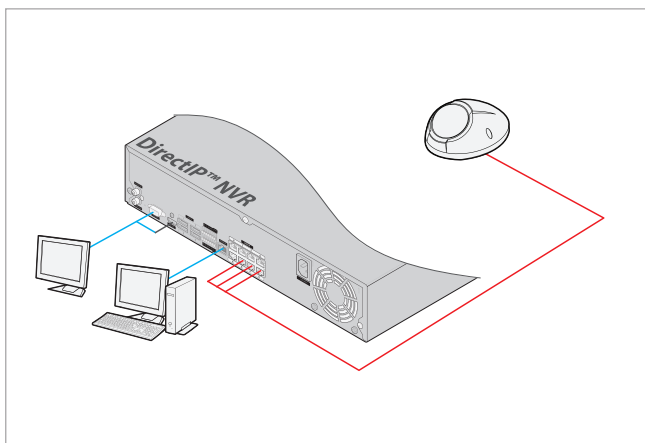
DC-F1211



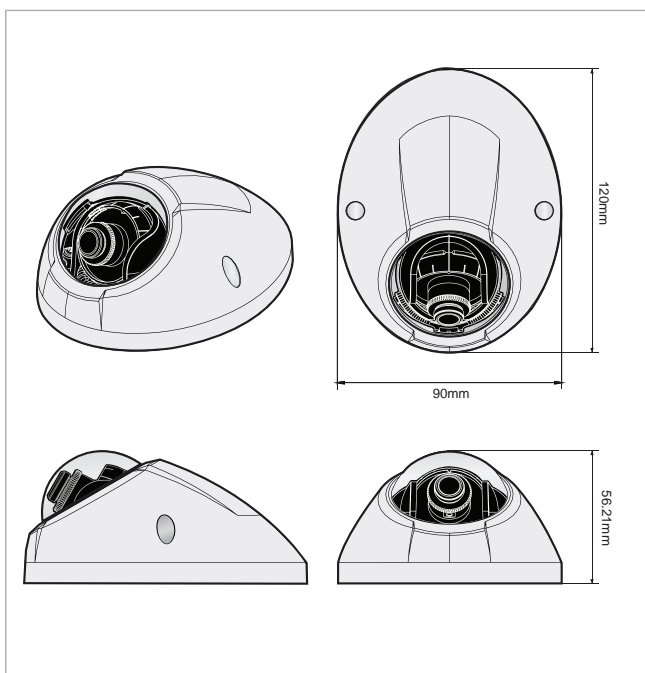
KEY FEATURES

- Easy installation with DirectIP NVR
- Low Profile Type
- Full HD (1080p) resolution
- Fixed Lens (f=4.0mm)
- PoE supports
- Supports ONVIF

CONNECTION DIAGRAM



DIMENSIONS



SPECIFICATIONS

VIDEO		
Image Sensor	1/2.7" CMOS	
Max. Resolution	1920 x 1080	
Scanning Mode	Progressive Scan	
Lens	Fixed-focal (f=4.0mm, F1.6)	
IRIS Control	Fixed IRIS	
Angular Field of View	106.3°(H), 61.9°(V), 125.3°(D)	
Min. Illumination	COLOR : 0.8 lux @ F2.0 (50 IRE) B/W : 0.5 lux @ F2.0 (50 IRE)	
S/N Ratio	more than 45dB	
Dynamic Range	more than 70dB	
Electronic Shutter Speed	Auto / Manual (1/30 ~ 1/8000), Anti-Flicker, Slow Shutter(1/7.5,1/15)	
True Day & Night	-	
IR Distance (LEDs)	-	
Video Quality Compensation	Auto Expose, Auto White Balance, Digital Noise Reduction, Backlight Compensation, HSBC	
Privacy Masking	16 Zones	
Intelligent Video	Video Motion Detection, Active Tampering Alarm, Trip Zone	
Video Out	1 BNC	
NETWORK		
	DirectIP Mode	Compatibility Mode
Video Compression	H.264(MP), M-JPEG	
Bitrate Control	H.264 - CBR / VBR	
Max. Frame Rate	30fps : 1920 x 1080	
Audio Compression	-	
Two-way Audio	-	
IP Camera Protocol	DirectIP	IDIS ONVIF Profile S
Supported Resolution	1920x1080, 1280x720, 704x480, 640x360, 352x240	1920x1080, 1280x720, 704x480, 352x240
Multi-Video Streaming	Quadruple streaming	Triple streaming
Network Protocols	Direct IP Protocol	RTP/RTSP/TCP, RTP/RTSP/HTTP/TCP, RTP/UDP RTSP/TCP, HTTP, HTTPS, FTP, SNTP, SMTP, FEN, mDNS, uPNP
Security	SSL Encryption	Multi-User Authority, IEEE 802.1x IP Filtering, HTTPS, SSL Encryption
Remote Access Client	DirectIP™ NVR connection	IDIS Web, IDIS Mobile, IDIS Solution Suite
Ethernet	RJ45(10/100BASE-T)	
Memory Slot	-	
ALARM & EVENT		
Trigger Event	Motion Detection, Tampering, TripZone	
Event Buffering (Pre & Post)	yes (up to 60MB)	
Event Notification	Remote S/W, Email (with Image)	
Audio In/ Out	-	
Alarm In/ Out	-	
ENVIRONMENTAL		
Vandal-proof Casing	-	
Out-door Ready	-	
Operating Temperature	-10 ~ 50°C (Starting up: Above 0°C)	
Operating Humidity	0% ~ 90%	
ELECTRICAL		
Power Source	PoE(IEEE802.3af class 1)	
Power Consumption	3.0W	
Approval	FCC, CE(50130-4), KC	
MECHANICAL		
Unit Dimensions Ø x H (mm)	95mm x 56.21mm x 120mm	
Unit Weight(kg)	0.25 kg	

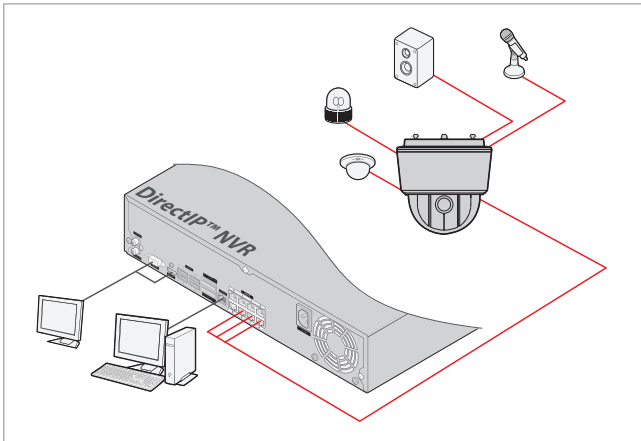
DC-S1163WH



KEY FEATURES

- Easy installation with DirectIP NVR
- HD (720p) resolution
- 18X A/F Optical Zoom
- Day&Night (ICR)
- Two-way audio
- Alarm in / out
- Micro SD (SDHC) memory slot
- Vandal Proof / IP66 supports
- Heater installed
- PoE (IEEE 802.3af Class 2), 12V DC

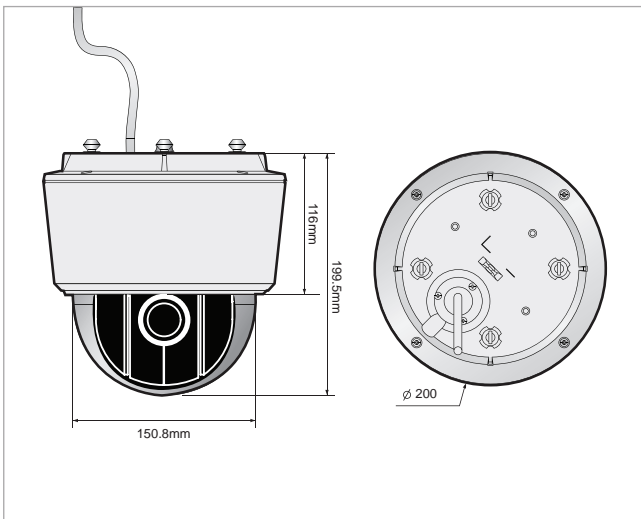
CONNECTION DIAGRAM



SPECIFICATIONS

VIDEO		
Image Sensor	1/2.8" CMOS	
Max. Resolution	1280 x 720	
Scanning Mode	Progressive Scan	
Lens	18x, Auto focus (f= 4.7 ~ 84.6mm, F1.6~2.8)	
IRIS Control	DC Auto Iris	
Angular Field of View	Wide : 58.5°(H), 33.5°(V), 64.9°(D) Tele : 4.1°(H), 2.4°(V), 4.7°(D)	
Min. Illumination	COLOR : 0.05 lux @ F1.6 (50 IRE) B/W : 0.003 lux @ F1.6 (50 IRE)	
Min. object Distance	1.0m	
S/N Ratio	31.2 dB	
Dynamic Range	74.7 dB	
Electronic Shutter Speed	Auto / Manual (1/30 ~ 1/8000), Anti-Flicker, Slow Shutter(1/7.5,1/15)	
True Day & Night	Yes (ICR)	
IR Distance (LEDs)	-	
Video Quality Compensation	Auto Expose, Auto White Balance, Digital Noise Reduction, Backlight Compensation, HSBLC	
Privacy Masking	16 Zones	
Intelligent Video	Video Motion Detection, Active Tampering Alarm, Trip Zone	
Video Out	1 Terminal Block (NTSC/PAL Selectable)	
PAN/TILT/ROTATE		
Pan Range	360° (Endless)	
Pan Speed	0.02~180°/sec (preset 420°/sec)	
Tilt Range	200° (-10~190°)	
Tilt Speed	0.02~180°/sec (preset 420°/sec)	
Preset	16ea	
NETWORK		
	DirectIP Mode	Compatibility Mode
Video Compression	H.264(MP), M-JPEG	
Bitrate Control	H.264 - CBR / VBR	
Max. Frame Rate	30fps : 1280 x 720	
Audio Compression	G.726, G.711	
Two-way Audio	Yes	
IP Camera Protocol	DirectIP	IDIS ONVIF Profile S
Supported Resolution	1280x720, 704x480, 640x360, 352x240	1280x720, 704x480, 352x240
Multi-Video Streaming	Quadruple streaming	Triple streaming
Network Protocols	Direct IP Protocol	RTP/RTSP/TCP, RTP/RTSP/HTTP/TCP, RTP/UDP RTSP/TCP, HTTP, HTTPS, FTP, SNMP, SMTP, FEN, mDNS, uPNP
Security	SSL Encryption	Multi-User Authority, IEEE 802.1x IP Filtering, HTTPS, SSL Encryption
Remote Access Client	DirectIP™ NVR connection	IDIS Web, IDIS Mobile, IDIS Solution Suite
Ethernet	RJ45(10/100BASE-T)	
Memory Slot	micro SD (SDHC)	
ALARM & EVENT		
Trigger Event	Motion Detection, Alarm in, Audio detection, Tampering, TripZone	
Event Buffering (Pre & Post)	yes (up to 60MB)	
Event Notification	Remote S/W, Email (with Image)	
Audio In/ Out	1 (Line-in) / 1 (Line-out)	
Alarm In/ Out	1 / 1	
ENVIRONMENTAL		
Vandal-proof Casing	Yes	
Out-door Ready	IP66	
Operating Temperature	-30 ~ 50°C (Starting up: Above -15°C)	
Operating Humidity	0% ~ 90%	
ELECTRICAL		
Power Source	12V DC, 24V AC, PoE (IEEE 802.3at Class 4)	
Power Consumption	Max. 27.5W (Heater on)	
Approval	FCC, CE(50130-4), KC	
MECHANICAL		
Unit Dimensions ϕ x H (mm)	ϕ 200 x 199.5mm	
Unit Weight(kg)	2.45 kg	

DIMENSIONS



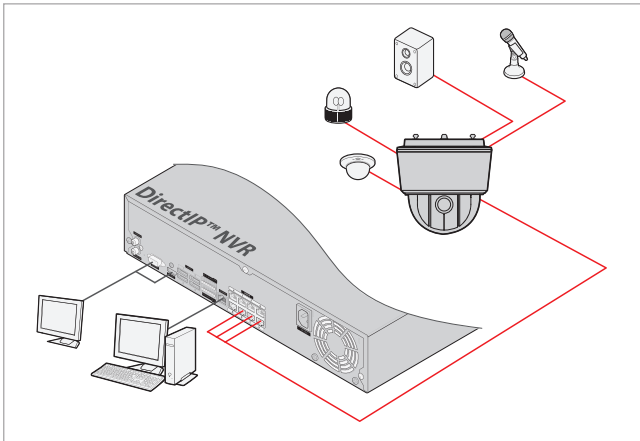
DC-S1263WH



KEY FEATURES

- Easy installation with DirectIP NVR
- Full HD (1080p) resolution
- 18X A/F Optical Zoom
- Day&Night (ICR)
- Two-way audio
- Alarm in / out
- Micro SD (SDHC) memory slot
- Vandal Proof / IP66 supports
- Heater installed
- PoE (IEEE 802.3at Class 4), 12V DC

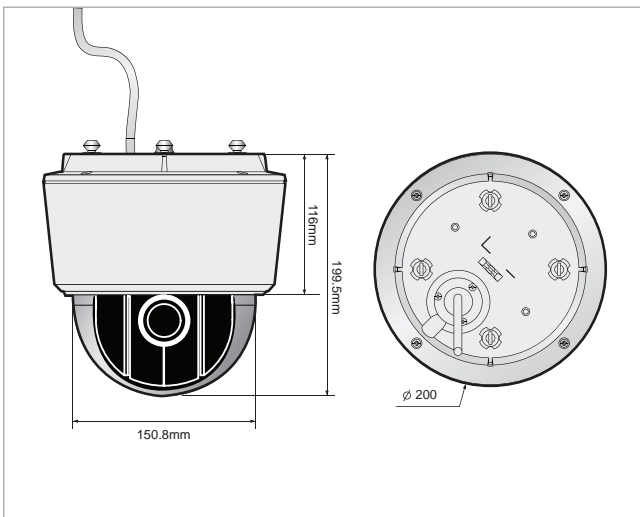
CONNECTION DIAGRAM



SPECIFICATIONS

VIDEO		
Image Sensor	1/2.8" CMOS	
Max. Resolution	1920 x 1080	
Scanning Mode	Progressive Scan	
Lens	18x, Auto focus (f= 4.7 ~ 84.6mm, F1.6~2.8)	
IRIS Control	DC Auto Iris	
Angular Field of View	Wide : 58.5°(H), 33.5°(V), 64.9°(D) Tele : 4.1°(H), 2.4°(V), 4.7°(D)	
Min. Illumination	COLOR : 0.05 lux @ F1.6 (50 IRE) B/W : 0.003 lux @ F1.6 (50 IRE)	
Min. object Distance	1.0m	
S/N Ratio	31.2 dB	
Dynamic Range	74.7 dB	
Electronic Shutter Speed	Auto / Manual (1/30 ~ 1/8000), Anti-Flicker, Slow Shutter(1/7.5,1/15)	
True Day & Night	Yes (ICR)	
IR Distance (LEDs)	-	
Video Quality Compensation	Auto Expose, Auto White Balance, Digital Noise Reduction, Backlight Compensation, HSBLIC	
Privacy Masking	16 Zones	
Intelligent Video	Video Motion Detection, Active Tampering Alarm, Trip Zone	
Video Out	1 Terminal Block (NTSC/PAL Selectable)	
PAN/TILT/ROTATE		
Pan Range	360° (Endless)	
Pan Speed	0.02~180°/sec (preset 420°/sec)	
Tilt Range	200° (-10~190°)	
Tilt Speed	0.02~180°/sec (preset 420°/sec)	
Preset	256ea	
NETWORK		
	DirectIP Mode	Compatibility Mode
Video Compression	H.264(MP), M-JPEG	IDIS
Bitrate Control	H.264 - CBR / VBR	ONVIF Profile S
Max. Frame Rate	30fps : 1920 x 1080	1920x1080, 1280x720, 704x480, 352x240
Audio Compression	G.726, G.711	1920x1080, 1280x720, 704x480, 352x240
Two-way Audio	Yes	Triple streaming
IP Camera Protocol	DirectIP	RTP/RTSP/TCP, RTP/RTSP/HTTP/TCP, RTP/UDP RTSP/TCP, HTTP, HTTPS, FTP, SNMP, SMTP, FEN, mDNS, uPNP
Supported Resolution	1920x1080, 1280x720, 704x480, 640x360, 352x240	Multi-User Authority, IEEE 802.1x
Multi-Video Streaming	Quadruple streaming	IP Filtering, HTTPS, SSL Encryption
Network Protocols	Direct IP Protocol	IDIS Web, IDIS Mobile, IDIS Solution Suite
Security	SSL Encryption	
Remote Access Client	DirectIP™ NVR connection	
Ethernet	RJ45(10/100BASE-T)	
Memory Slot	micro SD (SDHC)	
ALARM & EVENT		
Trigger Event	Motion Detection, Alarm in, Audio detection, Tampering, TripZone	
Event Buffering (Pre & Post)	yes (up to 60MB)	
Event Notification	Remote S/W, Email (with Image)	
Audio In/ Out	1 (Line-in) / 1 (Line-out)	
Alarm In/ Out	1 / 1	
ENVIRONMENTAL		
Vandal-proof Casing	Yes	
Out-door Ready	IP66	
Operating Temperature	-30 ~ 50°C	
Operating Humidity	0% ~ 90%	
ELECTRICAL		
Power Source	12V DC, 24V AC, PoE (IEEE 802.3at Class 4)	
Power Consumption	Max. 27.5W (Heater on)	
Approval	FCC, CE(50130-4), KC	
MECHANICAL		
Unit Dimensions ϕ x H (mm)	ϕ 200 x 199.5mm	
Unit Weight (kg)	2.45 kg	

DIMENSIONS



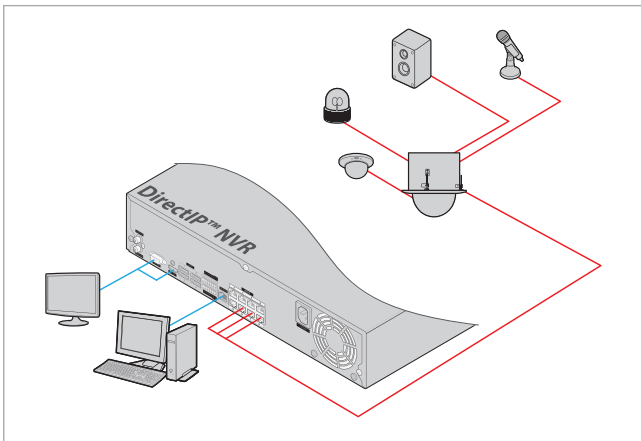
DC-S1263F



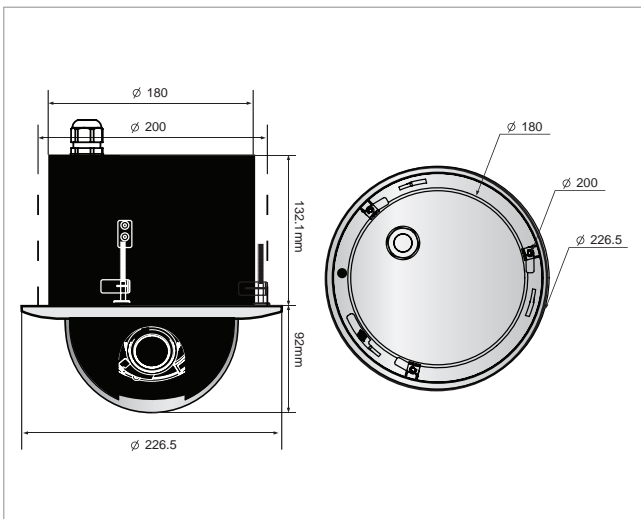
KEY FEATURES

- Easy installation with DirectIP NVR
- Full HD (1080p) resolution
- 18X A/F Optical Zoom
- Day&Night (ICR)
- Indoor enclosure
- Two-way audio
- Alarm in / out
- Micro SD (SDHC) memory slot
- PoE (IEEE 802.3af Class 2), 12V DC

CONNECTION DIAGRAM



DIMENSIONS



SPECIFICATIONS

VIDEO		
Image Sensor	1/2.8" CMOS	
Max. Resolution	1920 x 1080	
Scanning Mode	Progressive Scan	
Lens	18x, Auto focus (f= 4.7 ~ 84.6mm, F1.6~2.8)	
IRIS Control	DC Auto Iris	
Angular Field of View	Wide : 58.5°(H), 33.5°(V), 64.9°(D) Tele : 4.1°(H), 2.4°(V), 4.7°(D)	
Min. Illumination	COLOR : 0.05 lux @ F1.6 (50 IRE) B/W : 0.003 lux @ F1.6 (50 IRE)	
Min. object Distance	1.0m	
S/N Ratio	31.2 dB	
Dynamic Range	74.7 dB	
Electronic Shutter Speed	Auto / Manual (1/30 ~ 1/8000), Anti-Flicker, Slow Shutter(1/7.5,1/15)	
True Day & Night	Yes (ICR)	
IR Distance (LEDs)	-	
Video Quality Compensation	Auto Expose, Auto White Balance, Digital Noise Reduction, Backlight Compensation	
Privacy Masking	16 Zones	
Intelligent Video	Video Motion Detection, Active Tampering Alarm, Trip Zone	
Video Out	1 Terminal Block(NTSC/PAL Selectable)	
PAN/TILT/ROTATE		
Pan Range	360° (Endless)	
Pan Speed	0.02~180°/sec (preset 420°/sec)	
Tilt Range	200° (-10~190°)	
Tilt Speed	0.02~180°/sec (preset 420°/sec)	
Preset	256ea	
NETWORK		
	DirectIP Mode	Compatibility Mode
Video Compression	H.264(MP), M-JPEG	IDIS
Bitrate Control	H.264 - CBR / VBR	ONVIF Profile S
Max. Frame Rate	30fps : 1920 x 1080	1920x1080, 1280x720, 704x480, 352x240
Audio Compression	G.726, G.711	Triple streaming
Two-way Audio	Yes	RTP/RTSP/TCP, RTP/RTSP/HTTP/TCP, RTP/UDP RTSP/TCP, HTTP, HTTPS, FTP, SMTP, SFTP, FEN, mDNS, uPNP
IP Camera Protocol	DirectIP	Multi-User Authority, IEEE 802.1x
Supported Resolution	1920x1080, 1280x720, 704x480, 640x360, 352x240	IP Filtering, HTTPS, SSL Encryption
Multi-Video Streaming	Quadruple streaming	IDIS Web, IDIS Mobile, IDIS Solution Suite
Network Protocols	Direct IP Protocol	
Security	SSL Encryption	
Remote Access Client	DirectIP™ NVR connection	
Ethernet	RJ45 (10/100BASE-T)	
Memory Slot	micro SD (SDHC)	
ALARM & EVENT		
Trigger Event	Motion Detection, Alarm in, Audio detection, Tampering, TripZone	
Event Buffering (Pre & Post)	yes (up to 60MB)	
Event Notification	Remote S/W, Email (with Image)	
Audio In/ Out	1 (Line-in) / 1 (Line-out)	
Alarm In/ Out	1 / 1	
ENVIRONMENTAL		
Vandal-proof Casing	Yes	
Out-door Ready	IP66	
Operating Temperature	-10 ~ 50°C (Starting up: Above 0°C)	
Operating Humidity	0% ~ 90%	
ELECTRICAL		
Power Source	12V DC, 24V AC, PoE (IEEE 802.3af Class 3)	
Power Consumption	Max. 8.5W	
Approval	FCC, CE(50130-4), KC	
MECHANICAL		
Unit Dimensions ϕ x H (mm)	ϕ 226.5mm x 224.1mm	
Unit Weight (kg)	2.2 kg	

Full HD Bullet Camera

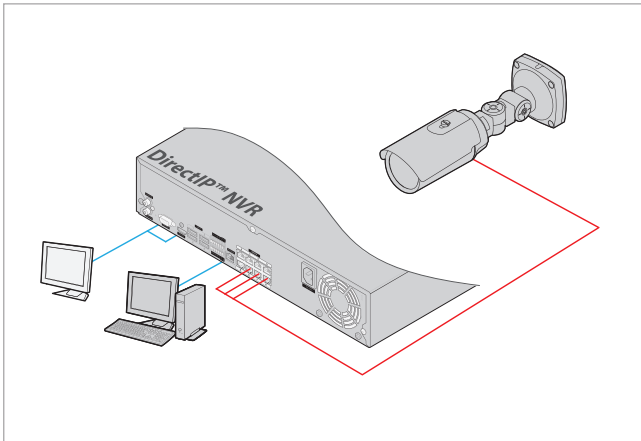
DC-T1232WR



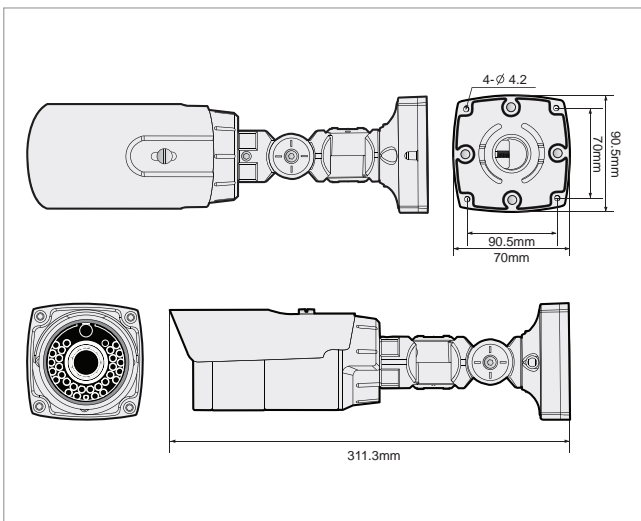
KEY FEATURES

- Easy installation with DirectIP NVR
- Full HD (1080p) resolution
- Motorized Vari-focal Lens (f=3~9mm)
- IR LED (Distance : 30m)
- Day&Night (ICR)
- Vandal Proof / IP66 supports
- PoE (IEEE 802.3af Class 2), 12V DC

CONNECTION DIAGRAM



DIMENSIONS



SPECIFICATIONS

VIDEO		
Image Sensor	1/2.8" CMOS	
Max. Resolution	1920 x 1080	
Scanning Mode	Progressive Scan	
Lens	Motorized Vari-focal (f= 3.3 - 10mm, F1.3 - 2.5)	
IRIS Control	DC Auto Iris	
Angular Field of View	Wide : 108.2°(H), 56.2°(V), 129.3°(D) Tele : 35.4°(H), 19.8°(V), 40.5°(D)	
Min. Illumination	COLOR : 0.1 lux @ F1.2 (50 IRE) B/W : 0 lux (IR LED ON)	
Min. object Distance	0.5M	
S/N Ratio	32dB	
Dynamic Range	75dB (90dB@digital WDR)	
Electronic Shutter Speed	Auto / Manual (1/30 ~ 1/8000), Anti-Flicker, Slow Shutter(1/7.5,1/15)	
True Day & Night	Yes (ICR)	
IR Distance (LEDs)	30 m (42 ea)	
Video Quality Compensation	Auto Expose, Auto White Balance, Digital Noise Reduction Backlight Compensation, HSBLC	
Privacy Masking	16 Zones	
Intelligent Video	Video Motion Detection, Active Tampering Alarm, Trip Zone	
Video Out	1 BNC	
NETWORK		
	DirectIP Mode	Compatibility Mode
Video Compression	H.264(MP), M-JPEG	
Bitrate Control	H.264 - CBR / VBR	
Max. Frame Rate	30fps : 1920 x 1080	
Audio Compression	-	
Two-way Audio	-	
IP Camera Protocol	DirectIP	IDIS ONVIF Profile S
Supported Resolution	1920x1080, 1280x720, 704x480, 640x360, 352x240	1920x1080, 1280x720, 704x480, 352x240
Multi-Video Streaming	Quadruple streaming	Triple streaming
Network Protocols	Direct IP Protocol	RTP/RTSP/TCP, RTP/RTSP/HTTP/TCP, RTP/UDP RTSP/TCP, HTTP, HTTPS, FTP, SNTP, SMTP, FEN, mDNS, uPNP
Security	SSL Encryption	Multi-User Authority, IEEE 802.1x IP Filtering, HTTPS, SSL Encryption
Remote Access Client	DirectIP™ NVR connection	IDIS Web, IDIS Mobile, IDIS Solution Suite
Ethernet	RJ45(10/100BASE-T)	
Memory Slot	-	
ALARM & EVENT		
Trigger Event	Motion Detection, Tampering, TripZone	
Event Buffering (Pre & Post)	yes (up to 60MB)	
Event Notification	Remote S/W, Email (with Image)	
Audio In/ Out	-	
Alarm In/ Out	-	
ENVIRONMENTAL		
Vandal-proof Casing	Yes	
Out-door Ready	IP66	
Operating Temperature	-10 ~ 50°C (Starting up: Above 0°C)	
Operating Humidity	0% ~ 90%	
ELECTRICAL		
Power Source	12VDC, PoE (IEEE802.3af class 3)	
Power Consumption	5.16W	
Approval	FCC, CE (50130-4), KC	
MECHANICAL		
Unit Dimensions(mm)	90.5mm x 90.5mm x 311.3mm	
Unit Weight (kg)	1.17 kg	



Full HD Bullet Camera

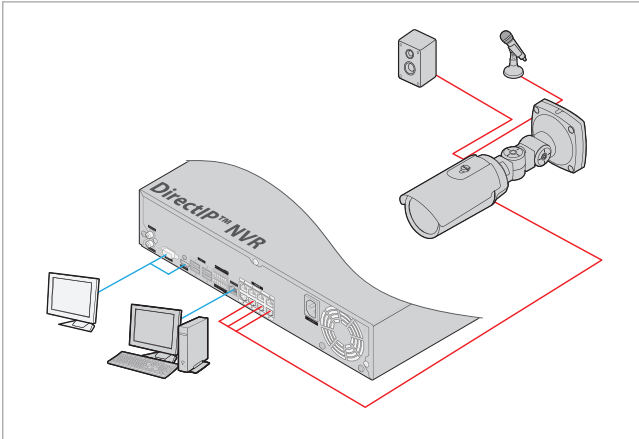
DC-T1233WHR



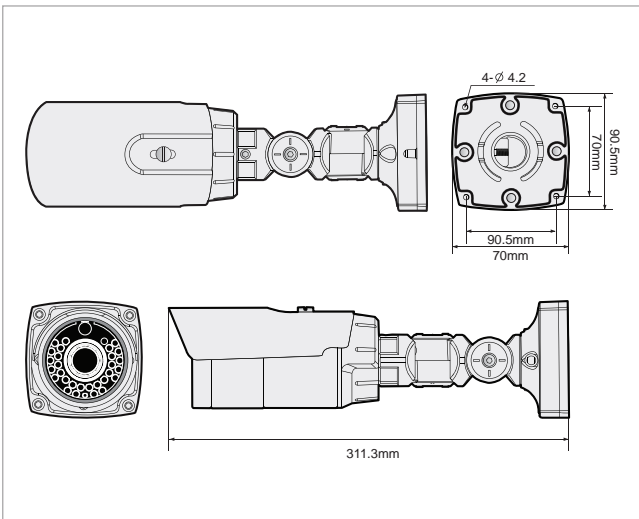
KEY FEATURES

- Easy installation with DirectIP NVR
- Full HD (1080p) resolution
- Motorized Vari-focal Lens (f=3~9mm)
- IR LED (Distance : 30m)
- Day&Night (ICR)
- Two-way audio, Alarm In / Out
- Vandal Proof / IP66 supports
- Heater installed
- PoE (IEEE 802.3af Class 2), 12V DC

CONNECTION DIAGRAM



DIMENSIONS



SPECIFICATIONS

VIDEO		
Image Sensor	1/2.8" CMOS	
Max. Resolution	1920 x 1080	
Scanning Mode	Progressive Scan	
Lens	Motorized Vari-focal (f= 3.3 - 10mm, F1.3 - 2.5)	
IRIS Control	DC Auto Iris	
Angular Field of View	Wide : 108.2°(H), 56.2°(V), 129.3°(D)	
	Tele : 35.4°(H), 19.8°(V), 40.5°(D)	
Min. Illumination	COLOR : 0.1 lux @ F1.2 (50 IRE)	
	B/W : 0 lux (IR LED ON)	
Min. object Distance	0.5M	
S/N Ratio	32dB	
Dynamic Range	75dB (90dB@digital WDR)	
Electronic Shutter Speed	Auto / Manual (1/30 ~ 1/8000), Anti-Flicker, Slow Shutter(1/7.5,1/15)	
True Day & Night	Yes (ICR)	
IR Distance (LEDs)	30 m (42 ea)	
Video Quality Compensation	Auto Expose, Auto White Balance, Digital Noise Reduction	
	Backlight Compensation, HSBC	
Privacy Masking	16 Zones	
Intelligent Video	Video Motion Detection, Active Tampering Alarm, Trip Zone	
Video Out	1 BNC	
NETWORK		
	DirectIP Mode	Compatibility Mode
Video Compression	H.264(MP), M-JPEG	
Bitrate Control	H.264 - CBR / VBR	
Max. Frame Rate	30fps : 1920 x 1080	
Audio Compression	G.726, G.711	
Two-way Audio	Yes	
IP Camera Protocol	DirectIP	IDIS
		ONVIF Profile S
Supported Resolution	1920x1080, 1280x720, 704x480, 640x360, 352x240	1920x1080, 1280x720, 704x480, 352x240
Multi-Video Streaming	Quadruple streaming	Triple streaming
		RTP/RTSP/TCP, RTP/RTSP/HTTP/TCP, RTP/UDP RTSP/TCP, HTTP, HTTPS, FTP, SNTP, SMTP, FEN, mDNS, uPNP
Network Protocols	Direct IP Protocol	Multi-User Authority, IEEE 802.1x
		IP Filtering, HTTPS, SSL Encryption
Security	SSL Encryption	IDIS Web, IDIS Mobile, IDIS Solution Suite
Remote Access Client	DirectIP™ NVR connection	
Ethernet	RJ45(10/100BASE-T)	
Memory Slot	-	
ALARM & EVENT		
Trigger Event	Motion Detection, Audio Detection, Tampering, TripZone	
Event Buffering (Pre & Post)	yes (up to 60MB)	
Event Notification	Remote S/W, Email (with Image)	
Audio In/ Out	1 (Line-in) / 1 (Line-out)	
Alarm In/ Out	1 / 1	
ENVIRONMENTAL		
Vandal-proof Casing	Yes	
Out-door Ready	IP66, Heater	
Operating Temperature	-20°C - 50°C	
Operating Humidity	0% ~ 90%	
ELECTRICAL		
Power Source	12VDC, PoE (IEEE802.3af class 3)	
Power Consumption	10.8W (DC12V - Heater on)	
Approval	FCC, CE (50130-4), KC	
MECHANICAL		
Unit Dimensions(mm)	90.5mm x 90.5mm x 311.3mm	
Unit Weight (kg)	1.17 kg	

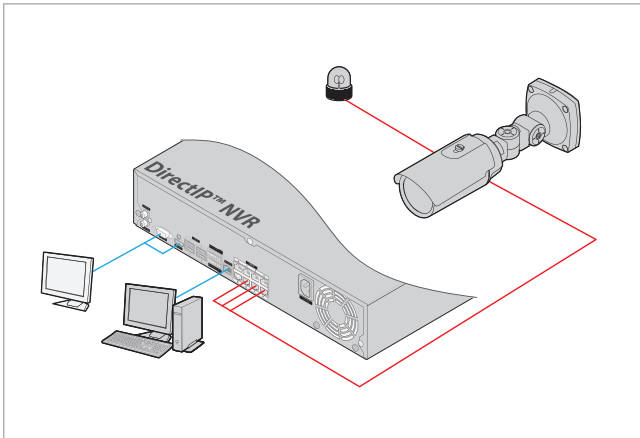
DC-T1234WR



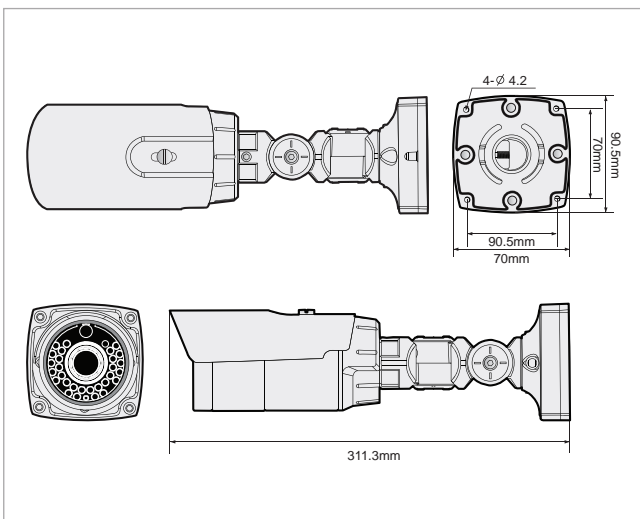
KEY FEATURES

- Easy installation with DirectIP NVR
- Full HD (1080p) resolution
- Motorized Vari-focal Lens (f=3~9mm)
- IR LED (Distance : 30m)
- White LED
- PIR Sensor for Motion detection
- Day&Night (ICR)
- Alarm output
- Vandal Proof / IP66 supports

CONNECTION DIAGRAM



DIMENSIONS



SPECIFICATIONS

VIDEO		
Image Sensor	1/2.8" CMOS	
Max. Resolution	1920 x 1080	
Scanning Mode	Progressive Scan	
Lens	Motorized Vari-focal (f= 3.3 - 10mm, F1.3 - 2.5)	
IRIS Control	DC Auto Iris	
Angular Field of View	Wide : 108.2°(H), 56.2°(V), 129.3°(D) Tele : 35.4°(H), 19.8°(V), 40.5°(D)	
Min. Illumination	COLOR : 0.1 lux @ F1.2 (50 IRE) B/W : 0 lux (IR LED ON)	
Min. object Distance	0.5M	
S/N Ratio	32dB	
Dynamic Range	75dB (90dB@digital WDR)	
Electronic Shutter Speed	Auto / Manual (1/30 ~ 1/8000), Anti-Flicker, Slow Shutter(1/7.5,1/15)	
True Day & Night	Yes (ICR)	
IR Distance (LEDs)	30 m (24 ea) / White LED (6 ea)	
Video Quality Compensation	Auto Expose, Auto White Balance, Digital Noise Reduction Backlight Compensation, HSBC	
Privacy Masking	16 Zones	
Intelligent Video	Video Motion Detection, Active Tampering Alarm, Trip Zone	
Video Out	1 BNC	
NETWORK		
	DirectIP Mode	Compatibility Mode
Video Compression	H.264(MP), M-JPEG	IDIS
Bitrate Control	H.264 - CBR / VBR	ONVIF Profile S
Max. Frame Rate	30fps : 1920 x 1080	1920x1080, 1280x720, 704x480, 352x240
Audio Compression	-	Triple streaming
Two-way Audio	-	RTP/RTSP/TCP, RTP/RTSP/HTTP/TCP, RTP/UDP RTSP/TCP, HTTP, HTTPS, FTP, SNTP, SMTP, FEN, mDNS, uPNP
IP Camera Protocol	DirectIP	Multi-User Authority, IEEE 802.1x IP Filtering, HTTPS, SSL Encryption
Supported Resolution	1920x1080, 1280x720, 704x480, 640x360, 352x240	IDIS Web, IDIS Mobile, IDIS Solution Suite
Multi-Video Streaming	Quadruple streaming	
Network Protocols	Direct IP Protocol	
Security	SSL Encryption	
Remote Access Client	DirectIP™ NVR connection	
Ethernet	RJ45 (10/100BASE-T)	
Memory Slot	-	
ALARM & EVENT		
Trigger Event	Motion Detection, Tampering, TripZone	
Event Buffering (Pre & Post)	yes (up to 60MB)	
Event Notification	Remote S/W, Email (with Image)	
Audio In/ Out	-	
Alarm In/ Out	0 / 1	
ENVIRONMENTAL		
Vandal-proof Casing	Yes	
Out-door Ready	IP66	
Operating Temperature	-10 ~ 50°C (Starting up: Above 0°C)	
Operating Humidity	0% ~ 90%	
ELECTRICAL		
Power Source	12VDC, PoE (IEEE802.3af class 3)	
Power Consumption	7.56W	
Approval	FCC, CE (50130-4), KC	
MECHANICAL		
Unit Dimensions(mm)	90.5mm x 90.5mm x 311.3mm	
Unit Weight (kg)	1.17kg	



HD Bullet Camera

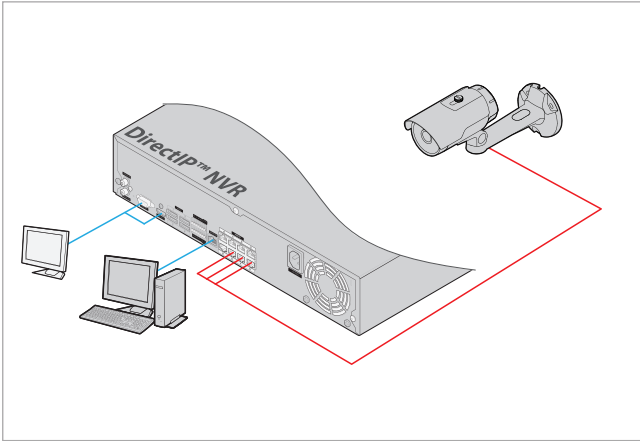
DC-E1112WR



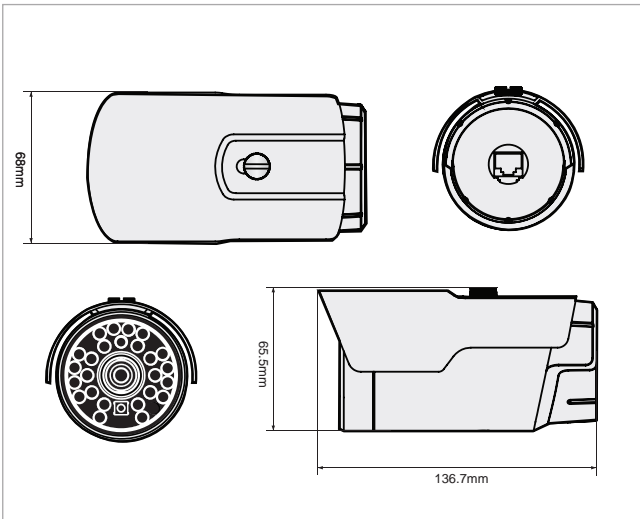
KEY FEATURES

- Easy installation with DirectIP NVR
- HD (720p) resolution
- Fixed Lens (f=4.0mm)
- IR LED (Distance : 10m)
- Day&Night (ICR)
- Vandal Proof / IP66 supports

CONNECTION DIAGRAM



DIMENSIONS



SPECIFICATIONS

VIDEO		
Image Sensor	1/2.7" CMOS	
Max. Resolution	1280 x 720	
Scanning Mode	Progressive Scan	
Lens	Fixed-focal (f = 4.0mm, F2.0)	
IRIS Control	Fixed Iris	
Angular Field of View	90.6°(H), 47.57°(V), 106.26°(D)	
Min. Illumination	COLOR : 0.8 lux @ F2.0 B/W : 0 lux (IR LED ON)	
Min. object Distance	0.5m	
S/N Ratio	more than 45dB	
Dynamic Range	70dB (90dB@digital WDR)	
Electronic Shutter Speed	Auto / Manual (1/30 ~ 1/8000), Anti-Flicker, Slow Shutter(1/7.5,1/15)	
True Day & Night	Yes (ICR)	
IR Distance (LEDs)	10 m (24 ea)	
Video Quality Compensation	Auto Expose, Auto White Balance, Digital Noise Reduction, Backlight Compensation	
Privacy Masking	16 Zones	
Intelligent Video	Video Motion Detection, Active Tampering Alarm, Trip Zone	
Video Out	1 BNC	
NETWORK		
	DirectIP Mode	Compatibility Mode
Video Compression	H.264(MP), M-JPEG	
Bitrate Control	H.264 - CBR / VBR	
Max. Frame Rate	30fps : 1280 x 720	
Audio Compression	-	
Two-way Audio	-	
IP Camera Protocol	DirectIP	IDIS ONVIF Profile S
Supported Resolution	1280x720, 704x480, 640x360, 352x240	1280x720, 704x480, 352x240
Multi-Video Streaming	Quadruple streaming	Triple streaming
Network Protocols	Direct IP Protocol	RTP/RTSP/TCP, RTP/RTSP/HTTP/TCP, RTP/UDP RTSP/TCP, HTTP, HTTPS, FTP, SNMP, SMTP, FEN, mDNS, uPNP
Security	SSL Encryption	Multi-User Authority, IEEE 802.1x IP Filtering, HTTPS, SSL Encryption
Remote Access Client	DirectIP™ NVR connection	IDIS Web, IDIS Mobile, IDIS Solution Suite
Ethernet	RJ45 (10/100BASE-T)	
Memory Slot	-	
ALARM & EVENT		
Trigger Event	Motion Detection, Tampering, TripZone	
Event Buffering (Pre & Post)	yes (up to 60MB)	
Event Notification	Remote S/W, Email (with Image)	
Audio In/ Out	-	
Alarm In/ Out	-	
ENVIRONMENTAL		
Vandal-proof Casing	Yes	
Out-door Ready	IP66	
Operating Temperature	-10 ~ 50°C (Starting up: Above 0°C)	
Operating Humidity	0% ~ 90%	
ELECTRICAL		
Power Source	PoE(IEEE802.3af class 2)	
Power Consumption	6.4W	
Approval	FCC, CE (50130-4), KC	
MECHANICAL		
Unit Dimensions(mm)	68mm x 65.5mm x 136.7mm	
Unit Weight (kg)	0.51 kg	

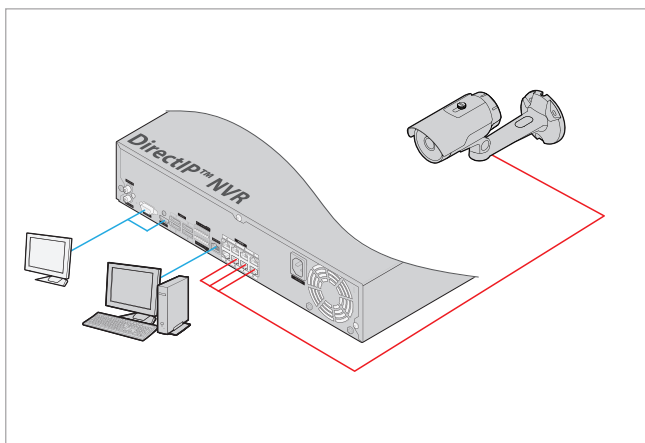
DC-E1212WR



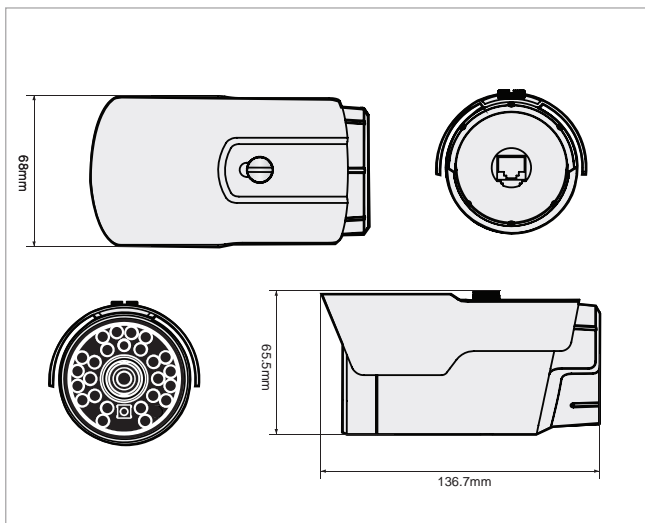
KEY FEATURES

- Easy installation with DirectIP NVR
- Full HD (1080p) resolution
- Fixed Lens (f=4.0mm)
- IR LED (Distance : 10m)
- Day&Night (ICR)
- Vandal Proof / IP66 supports

CONNECTION DIAGRAM



DIMENSIONS



SPECIFICATIONS

VIDEO		
Image Sensor	1/2.7" CMOS	
Max. Resolution	1920 x 1080	
Scanning Mode	Progressive Scan	
Lens	Fixed-focal (f = 4.0mm, F2.0)	
IRIS Control	Fixed Iris	
Angular Field of View	90.6°(H), 47.57°(V), 106.26°(D)	
Min. Illumination	COLOR : 0.8 lux @ F2.0 B/W : 0 lux (IR LED ON)	
Min. object Distance	0.5m	
S/N Ratio	more than 45dB	
Dynamic Range	70dB (90dB@digital WDR)	
Electronic Shutter Speed	Auto / Manual (1/30 ~ 1/8000), Anti-Flicker, Slow Shutter(1/7.5,1/15)	
True Day & Night	Yes (ICR)	
IR Distance (LEDs)	10 m (24 ea)	
Video Quality Compensation	Auto Expose, Auto White Balance, Digital Noise Reduction, Backlight Compensation	
Privacy Masking	16 Zones	
Intelligent Video	Video Motion Detection, Active Tampering Alarm, Trip Zone	
Video Out	1 BNC	
NETWORK		
	DirectIP Mode	Compatibility Mode
Video Compression	H.264(MP), M-JPEG	
Bitrate Control	H.264 - CBR / VBR	
Max. Frame Rate	30fps : 1920 x 1080	
Audio Compression	-	
Two-way Audio	-	
IP Camera Protocol	DirectIP	IDIS ONVIF Profile S
Supported Resolution	1920x1080, 1280x720, 704x480, 640x360, 352x240	1920x1080, 1280x720, 704x480, 352x240
Multi-Video Streaming	Quadruple streaming	Triple streaming
Network Protocols	Direct IP Protocol	RTP/RTSP/TCP, RTP/RTSP/HTTP/TCP, RTP/UDP RTSP/TCP, HTTP, HTTPS, FTP, SNTP, SMTP, FEN, mDNS, uPNP
Security	SSL Encryption	Multi-User Authority, IEEE 802.1x IP Filtering, HTTPS, SSL Encryption
Remote Access Client	DirectIP™ NVR connection	IDIS Web, IDIS Mobile, IDIS Solution Suite
Ethernet	RJ45 (10/100BASE-T)	
Memory Slot	-	
ALARM & EVENT		
Trigger Event	Motion Detection, Tampering, TripZone	
Event Buffering (Pre & Post)	yes (up to 60MB)	
Event Notification	Remote S/W, Email (with Image)	
Audio In/ Out	-	
Alarm In/ Out	-	
ENVIRONMENTAL		
Vandal-proof Casing	Yes	
Out-door Ready	IP66	
Operating Temperature	-10 ~ 50°C (Starting up: Above 0°C)	
Operating Humidity	0% ~ 90%	
ELECTRICAL		
Power Source	PoE (IEEE802.3af class 2)	
Power Consumption	6.4W	
Approval	FCC, CE (50130-4), KC	
MECHANICAL		
Unit Dimensions(mm)	68mm x 65.5mm x 136.7mm	
Unit Weight (kg)	0.51 kg	

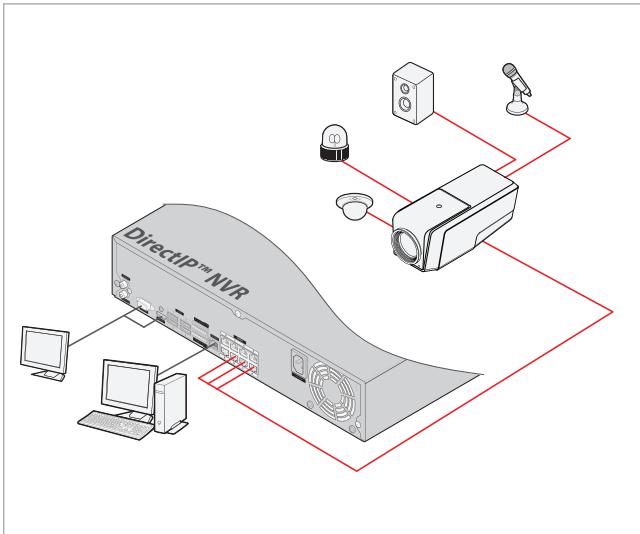
DC-Z1163



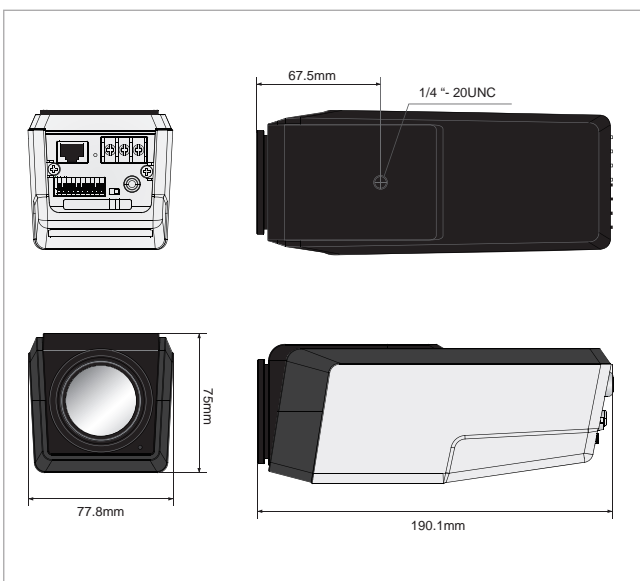
KEY FEATURES

- Easy installation with DirectIP NVR
- HD (720p) resolution
- 18X A/F Optical Zoom
- Day&Night (ICR)
- Two-way audio
- Alarm in / out
- SD (SDHC) memory slot
- PoE (IEEE 802.3af Class 0), 12V DC

CONNECTION DIAGRAM



DIMENSIONS



SPECIFICATIONS

VIDEO		
Image Sensor	1/2.8" CMOS	
Max. Resolution	1280 x 720	
Scanning Mode	Progressive Scan	
Lens	18x, Auto focus (f= 4.7 ~ 84.6mm, F1.6~2.8)	
IRIS Control	DC Auto Iris	
Angular Field of View	Wide : 58.6°(H), 33.5°(V), 64.9°(D) Tele : 4.1°(H), 2.4°(V), 4.7°(D)	
Min. Illumination	COLOR : 0.1 lux @ F1.6 (50 IRE) B/W : 0.004 lux @ F1.6 (50 IRE)	
Min. object Distance	1.0m	
S/N Ratio	more than 45dB	
Dynamic Range	more than 70dB (90dB@digital WDR)	
Electronic Shutter Speed	Auto / Manual (1/30 ~ 1/8000), Anti-Flicker, Slow Shutter(1/7.5,1/15)	
True Day & Night	Yes (ICR)	
IR Distance (LEDs)	-	
Video Quality Compensation	Auto Expose, Auto White Balance, Digital Noise Reduction Backlight Compensation, HSBC	
Privacy Masking	16 Zones	
Intelligent Video	Video Motion Detection, Active Tampering Alarm, Trip Zone	
Video Out	1 RCA	
NETWORK		
	DirectIP Mode	Compatibility Mode
Video Compression	H.264(MP), M-JPEG	
Bitrate Control	H.264 - CBR / VBR	
Max. Frame Rate	30fps : 1280 x 720	
Audio Compression	G.726, G.711	
Two-way Audio	Yes	
IP Camera Protocol	DirectIP	IDIS ONVIF Profile S
Supported Resolution	1280x720, 704x480, 640x360, 352x240	1280x720, 704x480, 352x240
Multi-Video Streaming	Quadruple streaming	Triple streaming
Network Protocols	Direct IP Protocol	RTP/RTSP/TCP, RTP/RTSP/HTTP/TCP, RTP/UDP RTSP/TCP, HTTP, HTTPS, FTP, SNTP, SMTP, FEN, mDNS, uPNP
Security	SSL Encryption	Multi-User Authority, IEEE 802.1x IP Filtering, HTTPS, SSL Encryption
Remote Access Client	DirectIP™ NVR connection	IDIS Web, IDIS Mobile, IDIS Solution Suite
Ethernet	RJ45(10/100BASE-T)	
Memory Slot	SD (SDHC)	
ALARM & EVENT		
Event Buffering (Pre & Post)	yes (up to 60MB)	
Event Notification	Remote S/W, Email (with Image)	
Audio In/ Out	1 (Line-in) / 1 (Line-out)	
Alarm In/ Out	1 / 1	
ENVIRONMENTAL		
Vandal-proof Casing	-	
Out-door Ready	-	
Operating Temperature	-10 ~ 50°C (Starting up: Above 0°C)	
Operating Humidity	0% ~ 90%	
ELECTRICAL		
Power Source	12VDC, 24VAC, PoE(IEEE802.3af class 0)	
Power Consumption	6W	
MECHANICAL		
Unit Dimensions(mm)	77.8mm x 75mm x 190.1mm	
Unit Weight (kg)	0.71 kg	

Full HD Zoom Camera

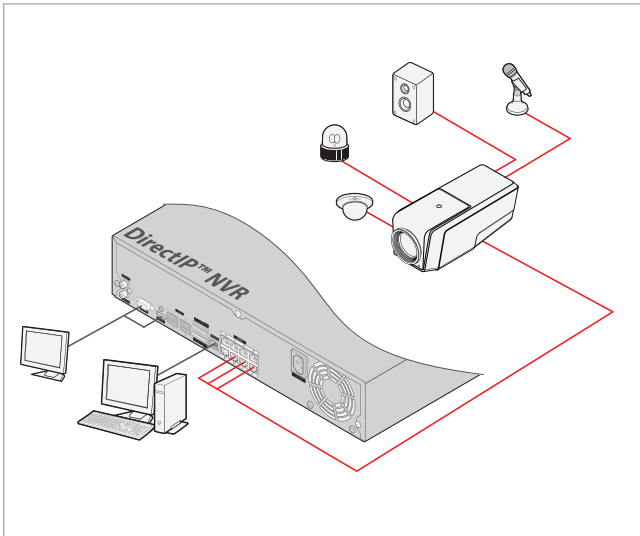
DC-Z1263



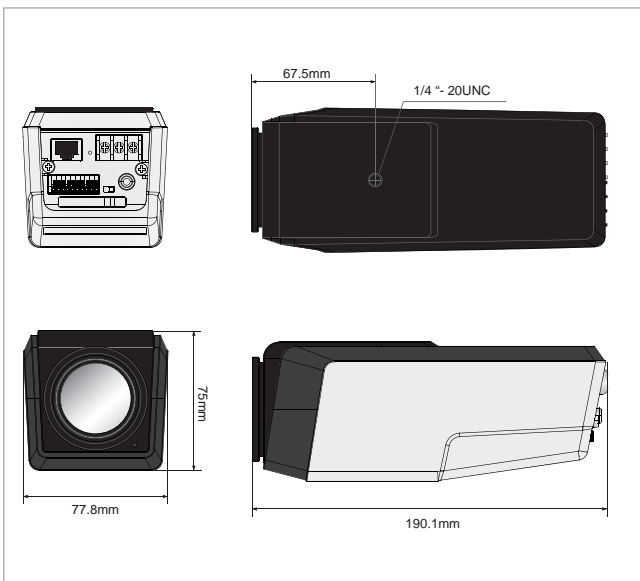
KEY FEATURES

- Easy installation with DirectIP NVR
- Full HD (1080p) resolution
- 18X A/F Optical Zoom
- Day&Night (ICR)
- Two-way audio
- Alarm in / out
- SD (SDHC) memory slot
- PoE (IEEE 802.3af Class 0), 12V DC

CONNECTION DIAGRAM



DIMENSIONS



SPECIFICATIONS

VIDEO		
Image Sensor	1/2.8" CMOS	
Max. Resolution	1920 x 1080	
Scanning Mode	Progressive Scan	
Lens	18x, Auto focus (f= 4.7 ~ 84.6mm, F1.6~2.8)	
IRIS Control	DC Auto Iris	
Angular Field of View	Wide : 55.2°(H), 42.1°(V) Tele : 3.2°(H), 2.5°(V)	
Min. Illumination	COLOR : 0.1 lux @ F1.6 (50 IRE) B/W : 0.004 lux @ F1.6 (50 IRE)	
Min. object Distance	1.0m	
S/N Ratio	more than 45dB	
Dynamic Range	more than 70dB (90dB@digital WDR)	
Electronic Shutter Speed	Auto / Manual (1/30 ~ 1/8000), Anti-Flicker, Slow Shutter(1/7.5,1/15)	
True Day & Night	Yes (ICR)	
IR Distance (LEDs)	-	
Video Quality Compensation	Auto Expose, Auto White Balance, Digital Noise Reduction Backlight Compensation, HSBLC	
Privacy Masking	16 Zones	
Intelligent Video	Video Motion Detection, Active Tampering Alarm, Trip Zone	
Video Out	1 RCA	
NETWORK		
	DirectIP Mode	Compatibility Mode
Video Compression	H.264(MP), M-JPEG	
Bitrate Control	H.264 - CBR / VBR	
Max. Frame Rate	30fps : 1920 x 1080	
Audio Compression	G.726, G.711	
Two-way Audio	Yes	
IP Camera Protocol	DirectIP	IDIS ONVIF Profile S
Supported Resolution	1920x1080, 1280x720, 704x480, 640x360, 352x240	1920x1080, 1280x720, 704x480, 352x240
Multi-Video Streaming	Quadruple streaming	Triple streaming
Network Protocols	Direct IP Protocol	RTP/RTSP/TCP, RTP/RTSP/HTTP/TCP, RTP/UDP RTSP/TCP, HTTP, HTTPS, FTP, SNTP, SMTP, FEN, mDNS, uPNP
Security	SSL Encryption	Multi-User Authority, IEEE 802.1x IP Filtering, HTTPS, SSL Encryption
Remote Access Client	DirectIP™ NVR connection	IDIS Web, IDIS Mobile, IDIS Solution Suite
Ethernet	RJ45(10/100BASE-T)	
Memory Slot	SD (SDHC)	
ALARM & EVENT		
Event Buffering (Pre & Post)	yes (up to 60MB)	
Event Notification	Remote S/W, Email (with Image)	
Audio In/ Out	1 (Line-in) / 1 (Line-out)	
Alarm In/ Out	1 (Line-in) / 1 (Line-out)	
ENVIRONMENTAL		
Vandal-proof Casing	-	
Out-door Ready	-	
Operating Temperature	-10 ~ 50°C (Starting up: Above 0°C)	
Operating Humidity	0% ~ 90%	
ELECTRICAL		
Power Source	12VDC, 24VAC, PoE(IEEE802.3af class 0)	
Power Consumption	6W	
MECHANICAL		
Unit Dimensions(mm)	77.8mm x 75mm x 190.1mm	
Unit Weight (kg)	0.71 kg	

Direct IP[™]

DirectIP is a networked HD video surveillance solution with NVRs similar to traditional DVR. DirectIP defines a set of protocols and operations among DirectIP devices as well as a set of methods to connect to DirectIP devices.



NETWORK SOFTWARE

Powerful and convenient package

of software solutions to build and operate
network security systems

IDIS provides complete network software solutions that can be developed to meet the needs of user applications from single location to multi-sites, from simple monitoring requirements to more complex interactive communication systems and from small to medium sized businesses through to multi-national. IDIS Solution Suite is a fully integrated enterprise-level VMS solution that provides unparalleled flexibility, control and security with intuitively designed GUI. IDIS Center provides users with remote management software to install, configure, integrate and operate DirectIP NVRs without licensing fees or complexity. IDIS Web and IDIS Mobile allow users to maximize advantages of full HD video surveillance, connectivity and remote access on PC or mobile devices.

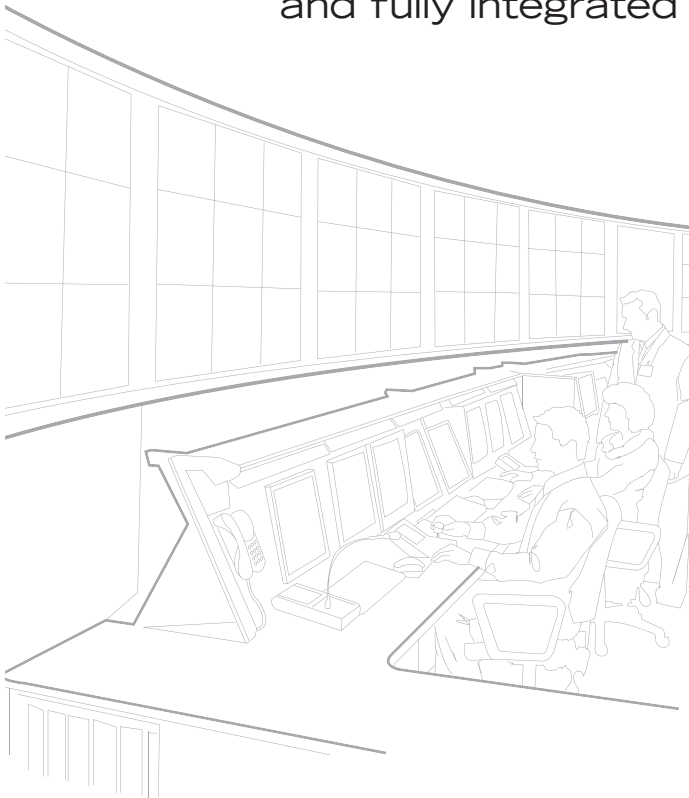




IDIS SOLUTION SUITE

ISS is highly scalable

and fully integrated network video surveillance solution



The IDIS Solution Suite (ISS) is a highly scalable and fully integrated network video surveillance management solution.

ISS is suitable for both large enterprise customers as well as smaller surveillance operations for home-security and small business. ISS Compact provides an intuitive GUI for the installer unfamiliar with IT networks and the powerful recording features are available without license fees.

ISS Expert provides a general-purpose network video recording application that will satisfy a wide range of customer requirements without complicated licensing structures. ISS Expert is the perfect solution for project-based surveillance rollouts as it optionally integrates and transforms to exact customer requirements. Born out of IDIS's deep understanding of the surveillance market and a huge range of customer applications, ISS Expert is exceptionally scalable and flexible. Using proven IDIS products including megapixel cameras and keyboards, the system is expandable to ensure a future proof surveillance solution.

KEY FEATURES (based on IDIS Solution Suite Expert)

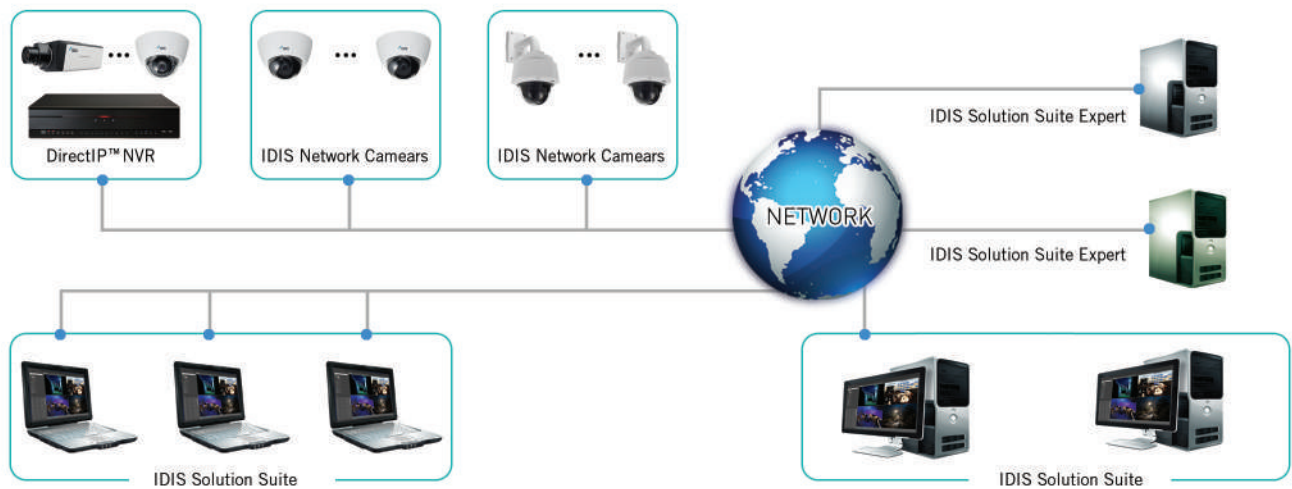
- Supports DirectIP™ NVRs, IDIS network cameras and third-party network cameras
- Centralised system operation, management and event handling
- Support up to 64 simultaneous connections through streaming service for multiple clients systems
- Map monitoring of live images
- Remote monitoring of live images in multiple client systems through a streaming service
- Simultaneous remote software upgrades and multiple system setup
- Enhanced security enabled with different authorities for each user group
- Enhanced security using SSL functionality
- Two-way audio communication and audio broadcasting
- Easy and convenient control using a network keyboard
- Text-in and alarm function via TCP networking
- Supports multiple services such as federation, backup, video wall service.



SPECIFICATIONS

	ISS Compact	ISS Expert	ISS Expert Add on
INSTALLATION SITE			
Home Security	○		
Small Office	○	○	
Small to Medium Sized Solution		○	○
Enterprise Solution		○	○
SERVICE			
Administration Service	○	○	○
Recording Service	○	○	○
Monitoring Service	○	○	○
Streaming Service		○	○
Video Analytics Servic		○	○
Backup Service			○
Federation Service			○
Video Wall Service			○
Redundancy Service			○
FEATURES			
Type of Deployment	Single Server	Multi server integration	Multi server integration
Number of Connected Camera	32	1024	Unlimited
Number of Recording Camera	32	4, 8, 16, 32, 68, 64, 128, 256	Unlimited
Licensing	Free	Wibukey (USB dongle)	Base wibukey + server authentication for each service
Supported Devices	IDIS network cameras	IDIS network cameras, NVR, third-party cameras	

NETWORK CONFIGURATION OF IDIS SOLUTION SUITE EXPERT



NETWORK CONFIGURATION OF IDIS SOLUTION SUITE COMPACT



IDIS CENTER

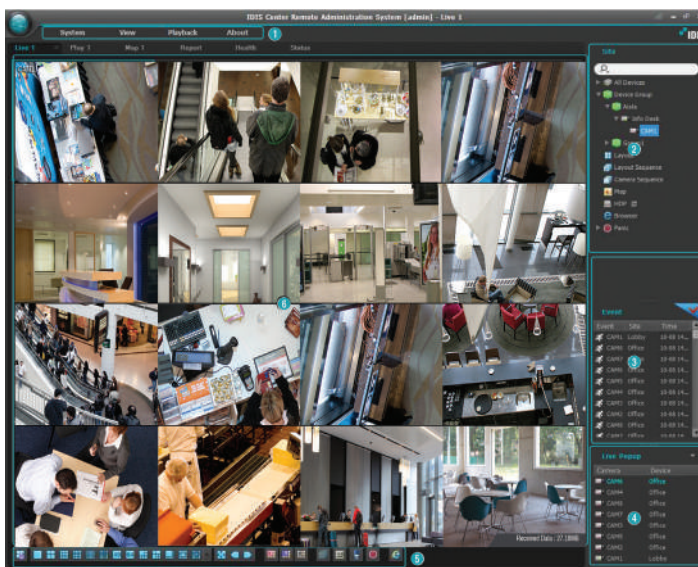
IDIS Center provides customers with plug-and-play management software to install and operate network cameras and network video recorders



IDIS Center is a central management software solution that supports live monitoring, video playback as well as advanced management tools including event monitoring, emaps and condition monitoring of devices.

KEY FEATURES

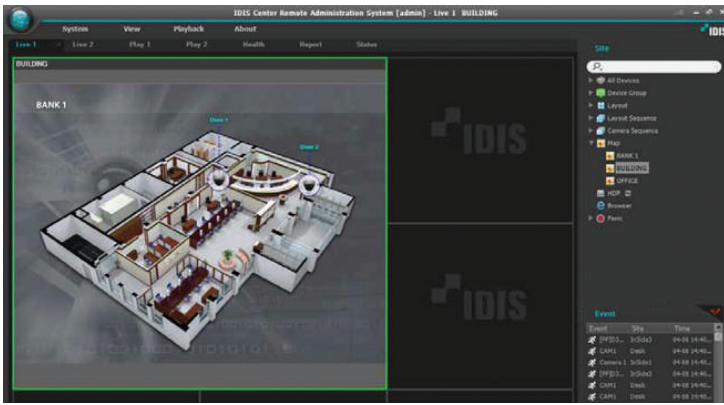
- Remote surveillance of live videos and remote playback of video recordings
- Real-time notification of detected events and remote monitoring of event videos
- Panic recording of live videos and playback of panic recordings
- Registration of up to 1,024 devices
- Simultaneous remote software upgrades and multiple system setup
- Displays device's system logs
- Monitoring live e-map
- SSL support for security
- Authority settings by user groups for security
- Intuitive and user-oriented GUI
- Supports Removable HDD(SD card) Play
- All live viewing, searches, e-maps and condition monitoring can be executed simultaneously
- by displaying distinctly different panels on four different monitors.



LIVE VIDEOS

Live videos of registered sites can be monitored. IDIS Center program receives videos according to the device's settings and displays live videos. Up to 4 Live panels are supported for monitoring live videos.

- 1 Menu**
Select the menu System, View, Playback and About.
- 2 Site List**
Used to connect to a registered site using drag & drop
- 3 Live Event List**
Shows instant events and callback events of registered devices. Click button and then Emergency Event Panel will be displayed.
- 4 Live Popup List**
Shows the list of current popup screens on IDIS Center.
- 5 Panel Toolbar/Timetable**
Shows toolbar or timetable depending on the panel.
- 6 Panel**
Shows videos or list of the selected tab.



MAP MONITORING

The camera videos of registered devices, events, and status of connection I/O devices can be monitored on a map. Map monitoring supports up to 4 Live panels and Map panels.



MAP Monitoring



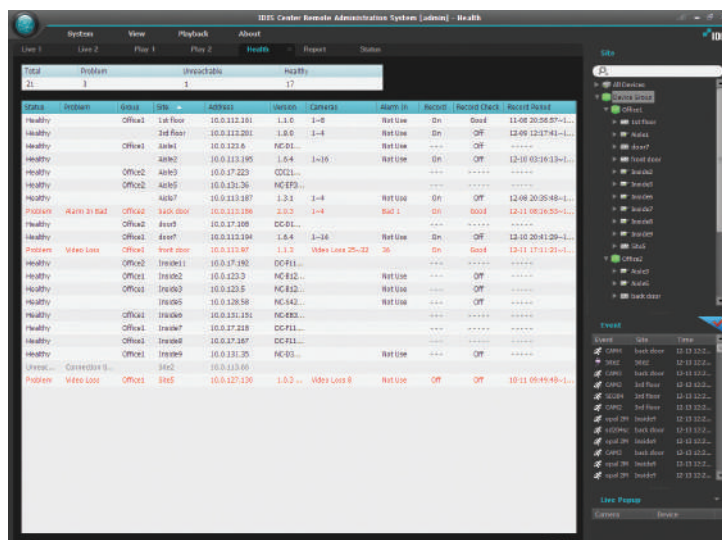
Event Detected



Auto Focusing

SNAP SHOT ON MOTION EVENT

When 'Motion Event Freeze-frame' is clicked in the Panel Toolbar, still images of videos recorded during Event Record Dwell (Event and pre-event) are shown in the Play panel. Recording information of the selected freeze-frame is displayed on the timetable. When user clicks anywhere on the recorded data on the time table, a freeze-frame image of the selected time is shown. Placing the mouse cursor over the freeze-frame brings up a popup viewer screen above the freeze-frame.



SYSTEM STATUS MONITORING

The system status of registered devices can be monitored in realtime. System status monitoring is supported in the Status panel. If a Status tab doesn't exist in the panel tabs, you can add them by selecting New Tab in the System menu and clicking Health. Once Health tab is added, the health monitoring results are automatically displayed.

IDIS WEB



IDIS Web is a program that allows you to view and search video from remote locations over the Internet and can be accessed on a regular web browser such as Internet Explorer. IDIS Web can be downloaded from web browsers in ActiveX format.

KEY FEATURES

- Supports 32 divided screen surveillance
- Controls PTZ, colour, alarm out feature
- Supports 32 divided screen playback
- Supports video back-up with IDIS Player, AVI, BMP
- Supports storage and print-out of current image on screen

CONNECTION METHOD

1. http://IP Address: Port Number

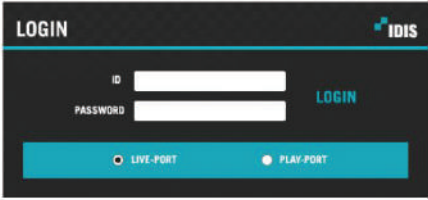
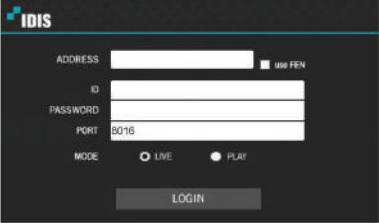
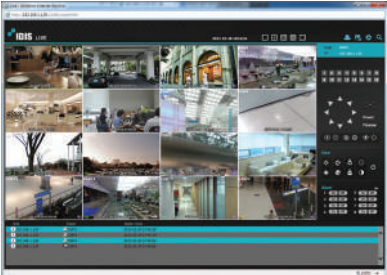
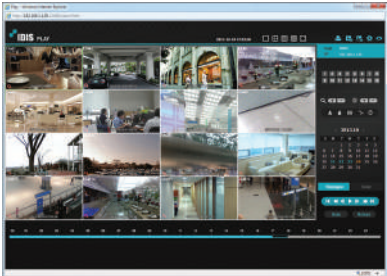
(NVR system's IP address and IDIS Web port number configured under Network > General (Default Value: 12088))

2. http://fen.idisglobal.com/FEN Name

(FEN Name: NVR name configured on the FEN server)

3. http://web.idisglobal.com

(will be prompted to enter NVR's IP address or FEN name registered to the FEN server upon login)

Using connection method 1 and 2	Using connection method 3
	
<p>IDIS WEB allows you to monitor images from remote locales in real-time</p>	
Live Mode	Play Mode
 <ul style="list-style-type: none"> · Screen layout · PTZ control · Alarm out control · Save image · Two way audio 	 <ul style="list-style-type: none"> · Screen layout · Time-lapse search · Event log search · Save as video · Print the current video screen

IDIS MOBILE



You can access a remote NVR, monitor live video images and search recorded video using iPhone, iPad, Android phone and Android tablet PC anytime from virtually anywhere.

KEY FEATURES

- Supports Android, iOS
- Supports 16 divided screen surveillance
- Controls PTZ, colour, alarm out feature
- Supports playback recorded video
- Supports easy connection to dynamic IP device through FEN Service
- Supports Event Push Notifications

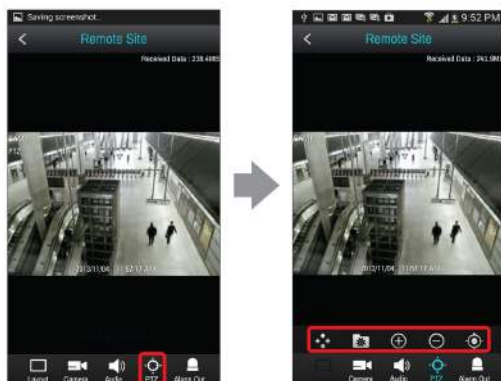
LIVE VIEWING

IDIS Mobile supports seamless viewing of full-HD live streaming video on mobile devices from remote locations and provides 1/4/9/16 split screen monitoring. When the menu appears on the screen, select Live. The live video from the selected device will be displayed on the screen.



REMOTE PTZ CONTROL

IDIS Mobile provides control of PTZ cameras from users' mobile device.



SEARCH & PLAYBACK

Playback recorded video from selected cameras on their search list.



NETWORK ACCESSORIES

Complete accessory line up that compliments the IDIS IP surveillance system

By providing various DirectIP™ attachments and accessories, customers can minimise expensive training requirements and save on installation time. Quick, convenient and affordable implementation of DirectIP™ based network surveillance solutions is enabled through the range of network attachments and accessories including PoE injectors, IP to fiber optic converters, SFP modules, eSATA storage devices, remote controllers and so on. With our video encoder, users can connect conventional analogue cameras to DirectIP™ NVRs. This enables the easy integration of existing analogue systems that are seen as one complete system, ensuring full flexibility for all types of applications.





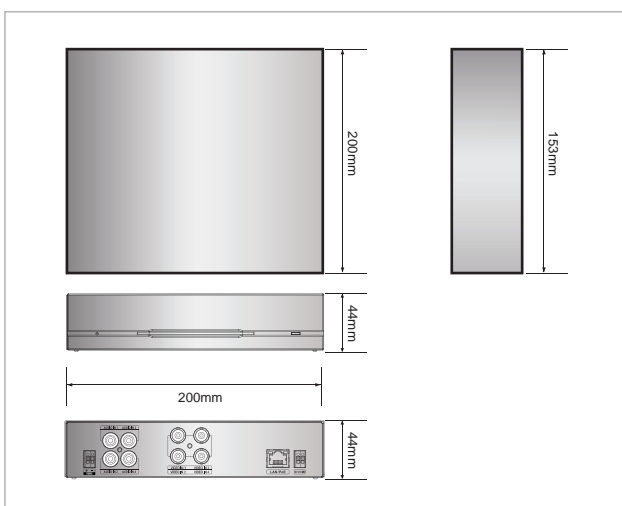
DirectIP™ 4 Channel Encoder

DE-1104



KEY FEATURES

- Specialised in DirectIP™ NVR
- Supports PTZ with RS485 port
- Supports 4 audio input ports
- Supports quadruple stream
- Supports 4 analogue camera input ports



SPECIFICATIONS

ENCODER	
Video Compression	H.264
Video Input	4 BNC Composite
Max Video Resolution	D1 : 720x480 / 720x576 (NTSC / PAL) 960H : 960x480 / 960x576 (NTSC / PAL)
Frame Rate	30ips@960H (per channel)
Multi Streaming Video	Quadruple stream
Max.network Throughput	48Mbps
Audio In / Out	4 RCA / -
PTZ Support	Yes (RS485)
Trigger Events	Motion detection, Video loss, Tempering
DirectIP Supported	Yes
GENERAL	
Dimension (W x H x D)	200mm x 44mm x 153mm
Unit Weight	0.84kg
Shipping Weight	1.22kg
PoE(class)	Yes(IEEE 802.3af Class 3)
Power Input	12VDC, PoE
Power Consumption	10W
Approvals	FCC ,CE

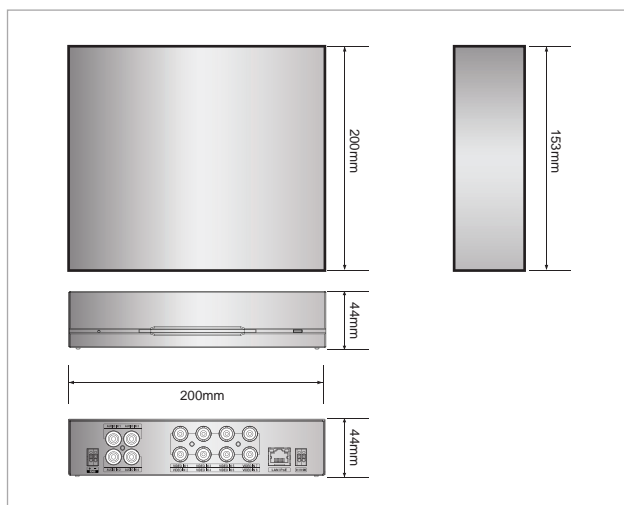
DirectIP™ 8 Channel Encoder

DE-1108



KEY FEATURES

- Specialised in DirectIP™ NVR
- Supports PTZ with RS485 port
- Supports 4 audio input ports
- Supports quadruple stream
- Supports 8 analogue camera input ports



SPECIFICATIONS

ENCODER	
Video Compression	H.264
Video Input	8 BNC Composite
Max Video Resolution	D1 : 720x480 / 720x576 (NTSC / PAL) 960H : 960x480 / 960x576 (NTSC / PAL)
Frame Rate	30ips@960H (per channel)
Multi Streaming Video	Quadruple stream
Max.network Throughput	64Mbps
Audio In / Out	4 RCA / -
PTZ Support	Yes (RS485)
Trigger Events	Motion detection, Video loss, Tempering
DirectIP Supported	Yes
GENERAL	
Dimension (W x H x D)	200mm x 44mm x 153mm
Unit Weight	0.84kg
Shipping Weight	1.22kg
PoE(class)	Yes(IEEE 802.3af Class 3)
Power Input	12VDC, PoE
Power Consumption	10W
Approvals	FCC ,CE

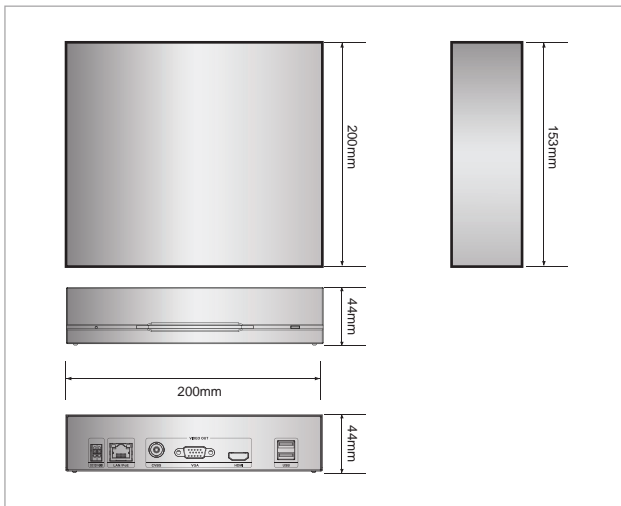
DirectIP™ 16 Channel Decoder

DD-1116



KEY FEATURES

- Supports DirectIP™ NVR
- Supports HDMI, VGA, CVBS port
- Up to 4ch FHD display
- Up to 16ch real-time display



SPECIFICATIONS

DECODER	
Video Compression	H.264
Video Input	16ch IP
Supported Devices	DirectIP NVR
Video Outputs	1 HDMI, 1 VGA, 1 CVBS
Display Resolution	HDMI , VGA : 1920x1200, 1920x1080, 1680x1050, 1600x1200 CVBS : 640x480
Display speed	Up to 480ips
Max. network throughput	48Mbps
Network Connection	Gigabit Ethernet x1
GENERAL	
Dimension (W x H x D)	200mm x 44mm x 153mm
Unit Weight	0.84kg
Shipping Weight	1.22kg
PoE(class)	Yes(IEEE 802.3af Class 0)
Power Input	12VDC, PoE
Power Consumption	8W
Approvals	FCC ,CE

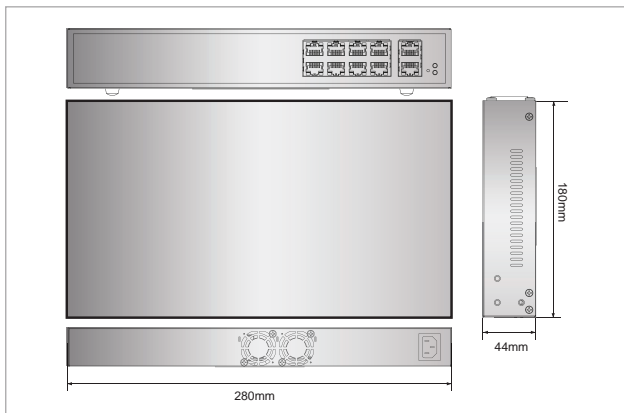
DirectIP™ 10 PoE Switch

DH-2010P



KEY FEATURES

- Individual port for data transmission to DirectIP™ NVR
- PoE (IEEE 802.3af, IEEE 802.3at) compliant
- Maximum per-device PoE delivery of 70W available for 1~8 RJ45 ports
- Central power control for greater network utility
- Supports 10 RJ45 ports



SPECIFICATIONS

SYSTEM	
CPU	Embedded MIPS
System Memory	256MB SDRAM, 32MB Flash
CONNECTIVITY	
Copper Service Port	8 RJ45 Connectors (10/100BASE-T)
Copper Uplink Port	2 RJ45 Connectors (10/100/1000BASE-T)
Optical Uplink Port	none
PoE POWER	
Supported Standards	IEEE 802.3af-2003 / IEEE 802.3at-2009
PD connection	Up to 8 IEEE 802.3af PDs Up to 2 IEEE 802.3at PDs
PSE Power Budget	70W
GENERAL	
Dimensions (W x H x D)	280mm x 44mm x 180mm
Weight	1.35Kg
Operation Temperature	32°F ~ 104°F (0°C ~ 40°C)
Power Input	AC100-240V, 1.2~0.6A, 50/60Hz
Power Consumption	85W
Approvals	FCC,CE,KC,UL,CB

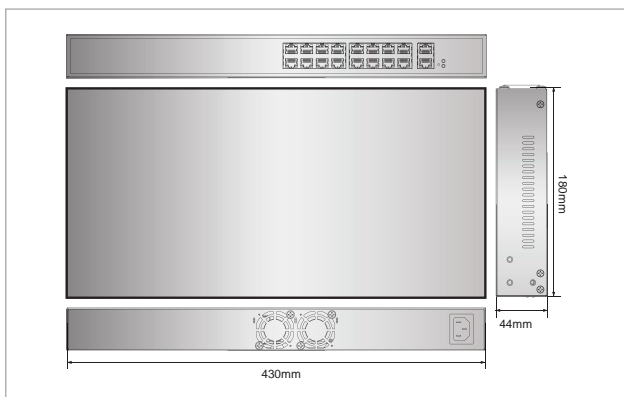
DirectIP™ 18 PoE Switch

DH-2018P



KEY FEATURES

- Individual port for data transmission to DirectIP™ NVR
- PoE (IEEE 802.3af, IEEE 802.3at) compliant
- Maximum per-device PoE delivery of 140W available for 1~16 RJ45 ports
- Central power control for greater network utility
- Supports 16 RJ45 ports



SPECIFICATIONS

SYSTEM	
CPU	Embedded MIPS
System Memory	256MB SDRAM, 32MB Flash
CONNECTIVITY	
Copper Service Port	16 RJ45 Connectors (10/100BASE-T)
Copper Uplink Port	2 RJ45 Connectors (10/100/1000BASE-T)
Optical Uplink Port	none
PoE POWER	
Supported Standards	IEEE 802.3af-2003 / IEEE 802.3at-2009
PD connection	Up to 16 IEEE 802.3af PDs Up to 4 IEEE 802.3at PDs
PSE Power Budget	140W
GENERAL	
Dimensions (W x H x D)	430mm x 44 x 180mm
Weight	2.05Kg
Operation Temperature	32°F ~ 104°F (0°C ~ 40°C)
Power Input	AC100-240V, 1.2~0.6A, 50/60Hz
Power Consumption	160W
Approvals	FCC,CE,KC,UL,CB

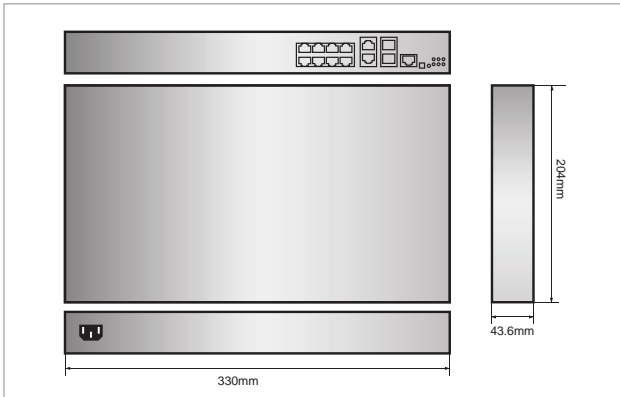
DirectIP™ 12 Ports Gigabit PoE Switch

DH-2112PF



KEY FEATURES

- Individual port for data transmission to DirectIP(tm) NVR
- PoE (IEEE 802.3af, IEEE 802.3at) compliant
- Maximum per-device PoE delivery of 150W available for 1~8 RJ45 ports
- Central power control for greater network utility
- Supports 10 RJ45 ports and 2 SFP slots



SPECIFICATIONS

SYSTEM	
CPU	Embedded MIPS 24Kc 400MHz
System Memory	128MB SDRAM, 32MB Flash
Switching Capacity	24Gbps
CONNECTIVITY	
Copper Service Port	8 RJ45 Connectors (10/100/1000BASE-T)
Copper Uplink Port	2 RJ45 Connectors (10/100/1000BASE-T)
Optical Uplink Port	2 SFP Slot (1000BASE-X)
PoE POWER	
Supported Standards	IEEE 802.3af-2003 / IEEE 802.3at-2009
PD connection	Up to 8 IEEE 802.3af PDs or up to 4 IEEE 802.3at PDs
PSE Power Budget	150W
GENERAL	
Dimensions (W x H x D)	330mm x 44mm x 204mm
Weight	2.31kg
Operation Temperature	0°C ~ 50°C
Power Input	AC100-240V, 50-60Hz, 2.1A
Power Consumption	200W
Approvals	FCC, CE, KC

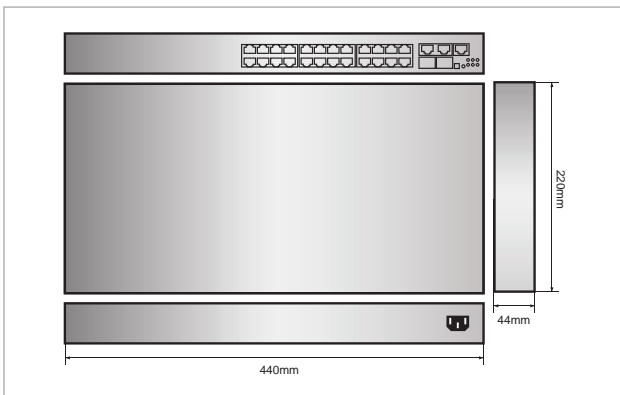
DirectIP™ 28 Ports Gigabit PoE Switch

DH-2128PF



KEY FEATURES

- Individual port data transmission to DirectIP™ NVR
- PoE (IEEE 802.3af, IEEE 802.3at) compliant
- Maximum per-device PoE delivery of 400W available for 1~24 RJ45 ports
- Central power control for greater network utility
- Supports 26 RJ45 ports and 2 SFP slots



SPECIFICATIONS

SYSTEM	
CPU	Embedded MIPS 24Kc 400MHz
System Memory	128MB SDRAM, 32MB Flash
Switching Capacity	56Gbps
CONNECTIVITY	
Copper Service Port	24 RJ45 Connectors (10/100/1000BASE-T)
Copper Uplink Port	2 RJ45 Connectors (10/100/1000BASE-T)
Optical Uplink Port	2 SFP Slot (1000BASE-X)
PoE POWER	
Supported Standards	IEEE 802.3af-2003 / IEEE 802.3at-2009
PD connection	Up to 24 IEEE 802.3af PDs or Up to 13 IEEE 802.3at PDs
PSE Power Budget	400W
GENERAL	
Dimensions (W x H x D)	440mm x 44mm x 220mm
Weight	3.13kg
Operation Temperature	0°C ~ 50°C
Power Input	AC100-240V, 50-60Hz, 4.8A
Power Consumption	450W
Approvals	FCC, CE, KC

Network Keyboard

NK-1100



KEY FEATURES

- Remote control of NVRs, network video transmitters, network video receivers and network cameras via network connection
- Control of NVRs by using a USB mouse via network connection
- Two-way audio communication
- Convenient firmware upgrades via either the USB port or ethernet
- Firmware duplication and auto-recovery functions to enhance system stability
- Management of multiple network keyboards via network connection
- Programmable by using the LCD screen

SPECIFICATIONS

COMMUNICATION	
Interface	RS485(Terminal block), Ethernet(RJ45)
Baud Rate	300 bps ~ 115,200bps
Supports Protocols	Over 70 sorts of PTZ protocol (IDIS, PANASONIC, PELCO, SAUMSUNG, etc.)
Supports Devices	IP Camera, NVR, IDIS Solution Suite
Display	LCD(2 Line)
USB	1 port
Audio in/out	1(3.5mm) / 1(3.5mm)
Component	Joystick + Main Control Board
S/W Upgrade	USB, Network
SETUP Program	IDIS Discovery
GENERAL	
Dimension (W x H x D)	376.9mm x 95mm x 177.6mm
Unit Weight	1.1kg
Shipping Dimensions (W x H x D)	455mm x 160mm x 255mm
Shipping Weight	2.1Kg
Power Input	DC 5V, 3A
Approvals	FCC, CE, KC

eSATA Storage

DA-ES1104

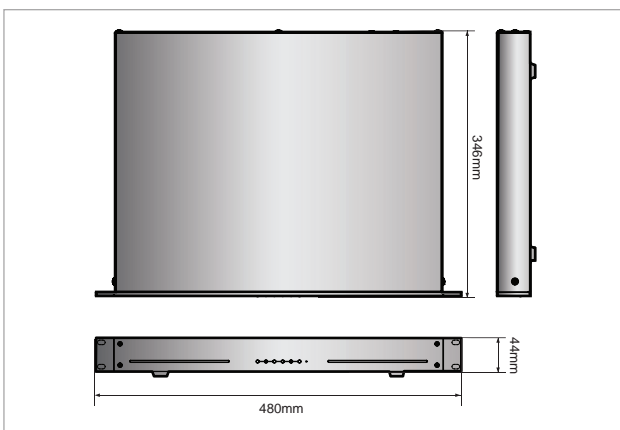


KEY FEATURES

- 19 inch rack-mount type
- Best combination with DirectIP™ NVR
- Supports RAID Levels 0,1+0,5
- SATA to SATA Port Multiplier
- Maximum of 3.0Gbps transfer rate (SATA II)
- Installation of the maximum of four hard disk drives
- Maximised space saving and capacity relative to cost
- Easy expansibility to a very large storage pool

SPECIFICATIONS

HARDWARE	
Interface	eSATA x 1
Number of Drives	SATA II x 4
Drive Size	3.5"
Drive Type	SATA II
PERFORMANCE	
Type and Rate	SATA II(3Gbps)
RAID	0,1+0,5
Max Drive Capacity	12TB(up to 3TB per bay)
GENERAL	
Dimensions (W x H x D)	480mm x 44mm x 346mm
Weight	6.4kg
Operation Temperature	5°C ~ 45°C
Power Input	100V ~ 240VAC, 0.6-0.3A, 50/60Hz
Power Consumption	Max. 40W
Approvals	FCC,CE



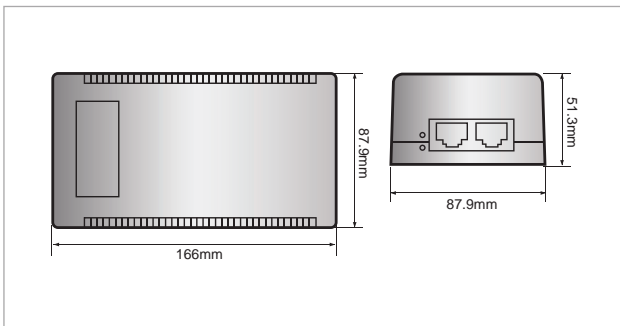
Single Port PoE Injector

DA-PI1101



KEY FEATURES

- Up to 30W of PoE Power feeding on 2-pairs
- Compatible with IEEE 802.3af, IEEE 802.3at
- Protects low power devices to receive only the power they need
- Automatic detection and protection of non-standard ethernet terminals
- Parallel slide-in design for easy installation



SPECIFICATIONS

RJ45 ETHERNET INTERFACE_DATA In	
port	1 channel
Connectivity	RJ45, Auto-MDI/MDI-X sensing
Wire Type	CAT5 or better
Distance	Up to 100m
Speed	10/100 BASE T
RJ45 ETHERNET INTERFACE_PoE	
port	1 channel
Pin Assignment and Polarity	1,2(+), 3,6(-)
PSE Power	52V DC, Max. 30W
Distance	Up to 100m
Speed	10/100 BASE-T
Supported Standards	IEEE 802.3af-2003 / IEEE 802.3at-2009
GENERAL	
Dimensions (W x H x D)	87.9mm x 51.3mm x 166mm
Weight	350g
Operation Temperature	-10°C ~ 45°C
Power Input	100 ~240V AC, 0.8A
Approvals	FCC, CE, KC

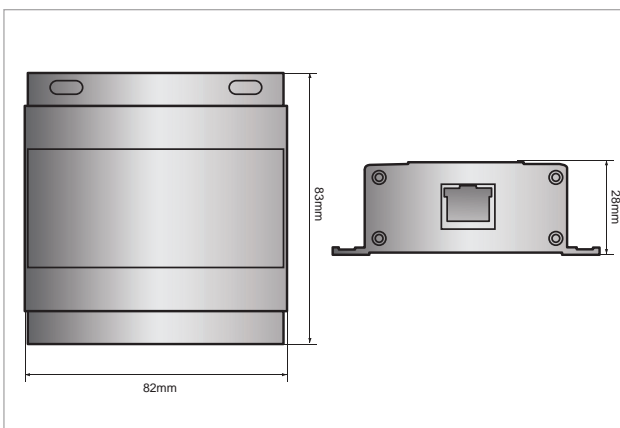
Single Port PoE Repeater

DA-PR1101



KEY FEATURES

- Compatible with IEEE 802.3af
- Supports Data transfer up to 130m distance
- Supports Data transfer up to 390m distance extension via three devices
- Supports PoE switch off function via PoE On/Off switch
- Supports plug and play without setting up special IP addresses



SPECIFICATIONS

PoE IN	
Input port	RJ45(10/100 BASE-T)
Connected Devices	NVR / PoE Switch
LEDs	Data, PoE
PoE Out	RJ45(10/100 BASE-T)
OUTPUT PORT	
PSE	IEEE 802.3af
Distance	Up to 390m distance extension via three devices
LEDs	Data, PoE
GENERAL	
Dimensions(WxHxD)	82mm x 28mm x 83mm
Weight	118g
Operation Temperature	0°C~60°C
Certification	FCC, CE, KC

Ethernet over Coax (EoC) Transceiver

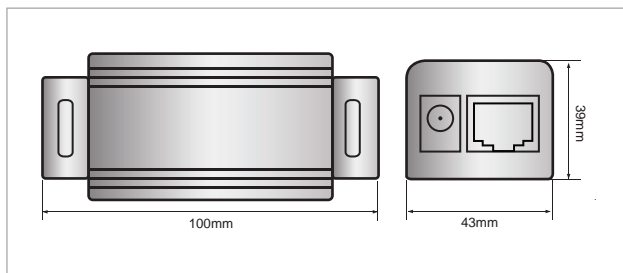
DA-EC1101R with adaptor

DA-EC1101T



KEY FEATURES

- Makes it possible to install Full HD network cameras using existing coaxial cables.
- Two-way communication allows use of the product as a transmitter or a receiver.
- Supports PoE (IEEE 802.3af, IEEE 802.3at)
- Supports plug and play without setting up special IP addresses.



SPECIFICATIONS

RJ45 ETHERNET INTERFACE	
Connectivity	RJ45, Auto-MDI / MDI-X sensing
Wire Type	CAT5 or better
Distance	Up to 100m
Speed	10/100 Base-T, half/full Duplex
Latency	3ms
Data Throughput	85Mbps
COAX BUILDING WIRING INTERFACE	
Connectivity	BNC, RG-59/U or similar
Impedance	25 to 100 Ω
Distance	Up to 800m
GENERAL	
Dimensions (W x H x D)	43mm x 39 mm x 100mm
Weight	145g
Operation Temperature	-10°C ~ 85°C
Power Input	48V DC
Power Consumption	60W
Approvals	FCC, CE, KC

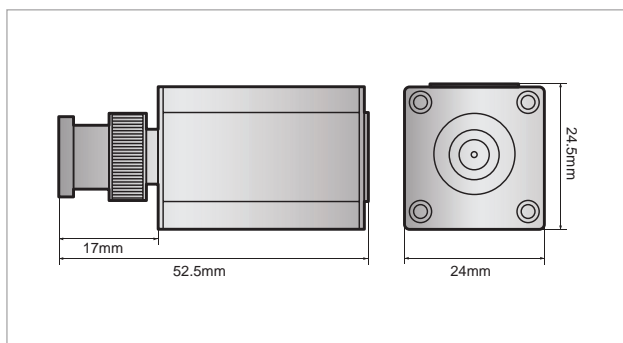
UTP Exchanger for EoC Transceiver

DA-BE1101



KEY FEATURES

- Converts Coaxial cable to UTP cable connecting to DA-EC1101R/T
- Supports PoE function of DA-EC1101R/T
- Supports Data transfer up to 800m distance extension of DA-EC1101R/T
- Supports plug and play without setting up special IP addresses



SPECIFICATIONS

COAX INTERFACE	
Connectivity	DA-EC1101R /T
RJ45 INTERFACE	
Connectivity	RJ45, Auto-MDI / MDI-X sensing
Wire Type	CAT 5 or better
Distance	Up to 800m
Bandwidth	85Mbps
PoE	IEEE802.3af, IEEE802.3at
GENERAL	
Dimensions (W x H x D)	24mm x 24.5mm x 52.5mm
Weight	31g
Operation Temperature	-20°C ~ 80°C

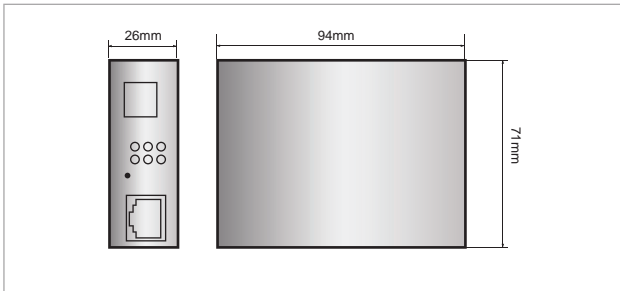
Gigabit Fiber Optic Media Converter

DA-MC1101



KEY FEATURES

- Supports automatic negotiation feature
- Supports automatic MDI / MDI-X detection
- Supports LED status indicators
- Mode switching using DIP switches



SPECIFICATIONS

RJ45 ETHERNET INTERFACE	
Connectivity	RJ45, Auto-MDI / MDI-X sensing
Wire Type	CAT5 or better
Distance	Up to 100m
Speed	10/100/1000 Base-T
SFP SLOT INTERFACE	
Connectivity	SFP slot
Wire Type	Fiber optic
Speed	1000BASE-LX, 1000BASE-SX
GENERAL	
Dimensions(W x H x D)	71mm x 26mm x 94mm
Weight	160g
Operation Temperature	0°C ~ 50°C
Power Input	5V DC 1.6A
Power Consumption	3.4W
Approvals	FCC, CE, KC

SFP Transceiver

FTLF1318P3BTL FTLF8519P3BNL



KEY FEATURES

FTLF1318P3BTL

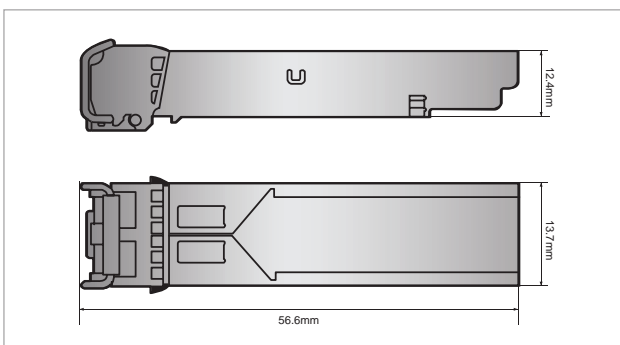
- Up to 10 km on 9/125µm SMF
- Up to 1.25Gb/s bi-directional data links
- Hot-pluggable SFP footprint
- 1310nm Fabry-Perot laser transmitter
- Compatibility with DH Series and DA-MC1101

FTLF8519P3BNL

- Up to 500m on 50/125µm MMF, 300m on 62.5/125µm MMF
- Up to 2.125 Gb/s bi-directional data links
- Hot-pluggable SFP footprint
- 850nm Oxide VCSEL laser transmitter
- Compatibility with DH Series and DA-MC1101

SPECIFICATIONS







FTLF1318P3BTL	
Optical Center Wavelength	1265 to 1600 nm
Output Opt. Power	-9.5 to -3 dBm
Average RX Sensitivity@1.25Gb/s	-19
Data Rate	1.062 Gb/s to 1.25 Gb/s
FTLF8519P3BNL	
Optical Center Wavelength	830 to 860 nm
Output Opt. Power	-9 to -2.5 dBm
Average RX Sensitivity@2.125Gb/s	-17
Data Rate	1.062Gb/s, 1.25Gb/s, 2.125Gbps
GENERAL	
Dimensions (W x H x D)	13.7mm x 12.4mm x 56.6mm
Weight	17.5g
Operation Temperature	0°C ~ 85°C
Approvals	FCC, CE, KC





CAMERA ACCESSORIES

CAMERA MOUNTS

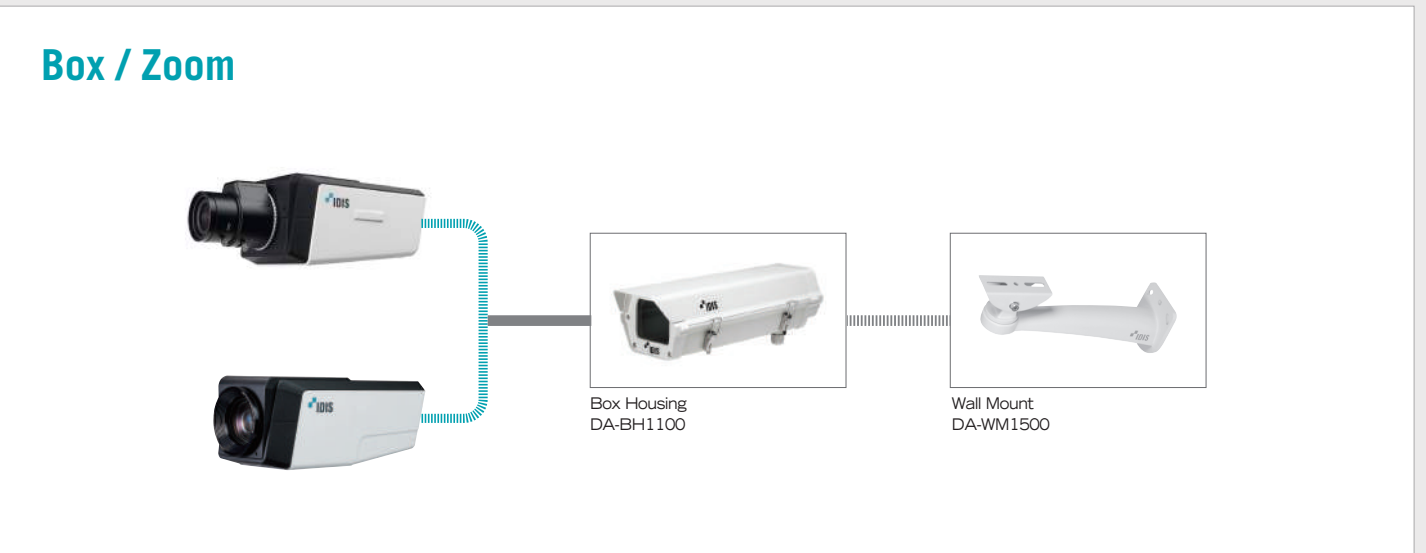
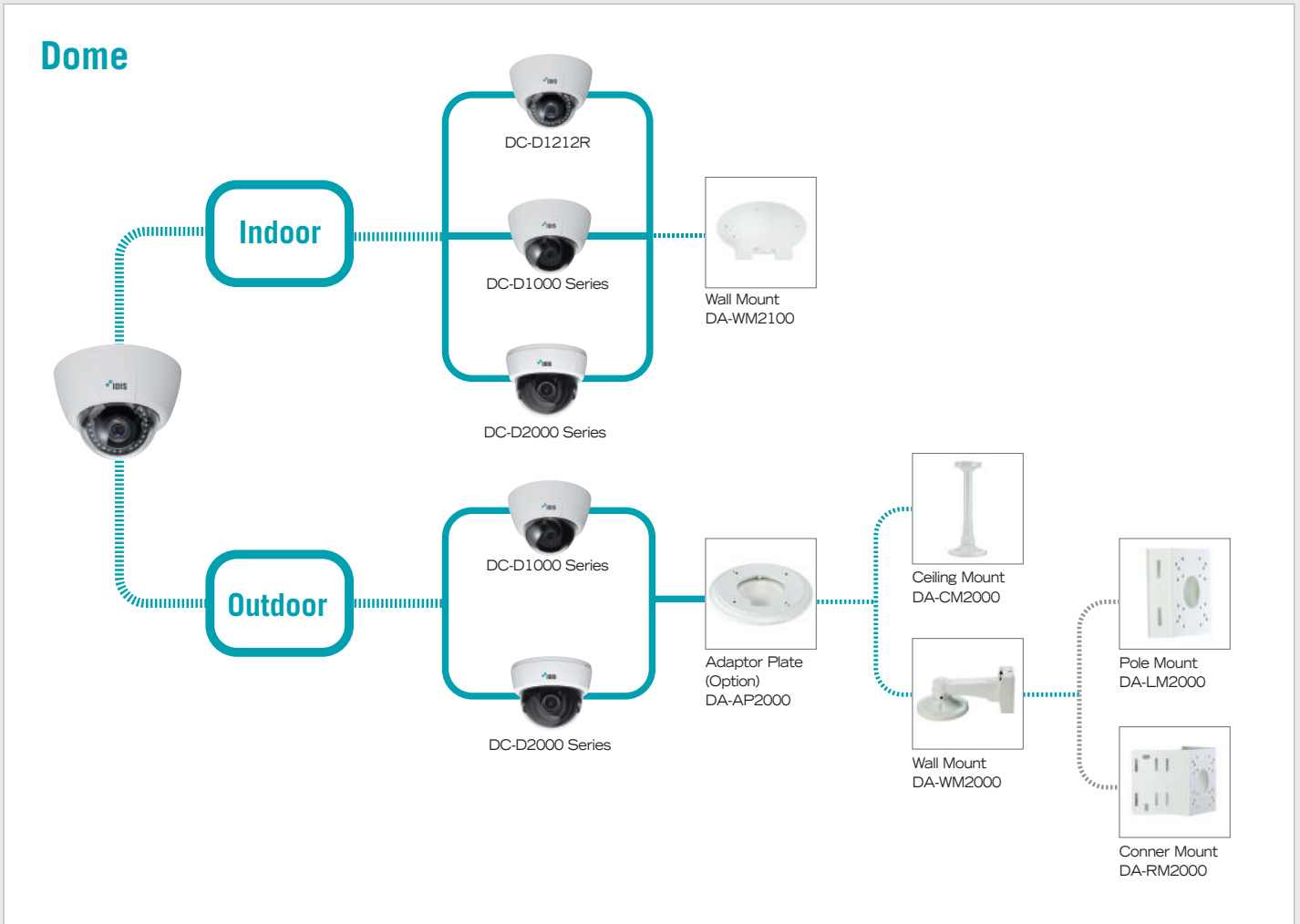
TYPE	MODEL	Dimension(mm)	Weight	Relevant Models
WALL MOUNT	DA-WM2000	 268(L) x 110(W) x 144(H)	0.85 kg	DC-D Series (Outdoor)
	DA-WM2100	 150(L) x 130(W) x 40(H)	0.25 kg	DC-D Series (Indoor)
	DA-WM1400	 267(L) x 116(W) x 140(H)	1.3 kg	DC-S Series
	DA-WM1500	 300(L) x 80(W) x 133.2(H)	0.27 kg	DC-B Series DC-Z Series
POLE MOUNT	DA-LM2000	 100(L) x 45(W) x 110(H)	0.3 kg	DC-T Series DA-WM2000 DA-JB2000
	DA-LM1100	 156(L) x 136(W) x 50(H)	1 kg	DA-WM1400
ADAPTOR PLATE	DA-BM1100	 Ø155 x 50(L)	0.2 kg	DC-S Series
	DA-AP2000	 Ø 165 x 15(L)	0.2 kg	DC-D1000 Series

TYPE	MODEL		Dimension(mm)	Weight	Relevant Models
CEILING MOUNT	DA-CM1300		390(L) x 140(W) x 116(H)	0.95 kg	DA-WM1400
	DA-CM2000		334~544(L) x 145(W) x 145(H)	0.78 kg	DC-D2000 Series
CORNER MOUNT	DA-RM2000		165(L) x 55(W) x 110(H)	0.47 kg	DC-T Series DA-WM2000 DA-JB2000
	DA-RM1100		343(L) x 140(W) x 196(H)	2.8 kg	DA-WM1400
SUN SHIELD	DA-DH1100		Ø211.96 x 104(L)	0.45 kg	DC-S Series
JUNCTION BOX	DA-JB2000		90(L) x 45(W) x 90(H)	0.2 kg	DC-T Series
BOX HOUSING	DA-BH1100		438.1(L) x 147.2(W) x 107.3(H)	1.2 kg	DC-B Series
FLUSH MOUNT	DA-FM1200		Ø210 x 75(L)	0.65kg	DC-D1000 Series

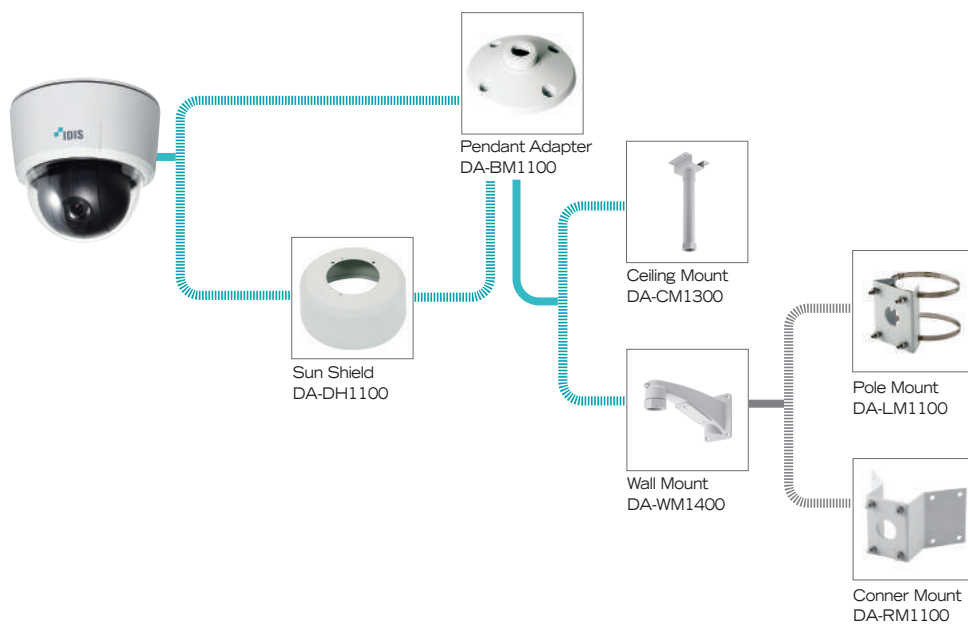


IP CAMERA ACCESSORIES

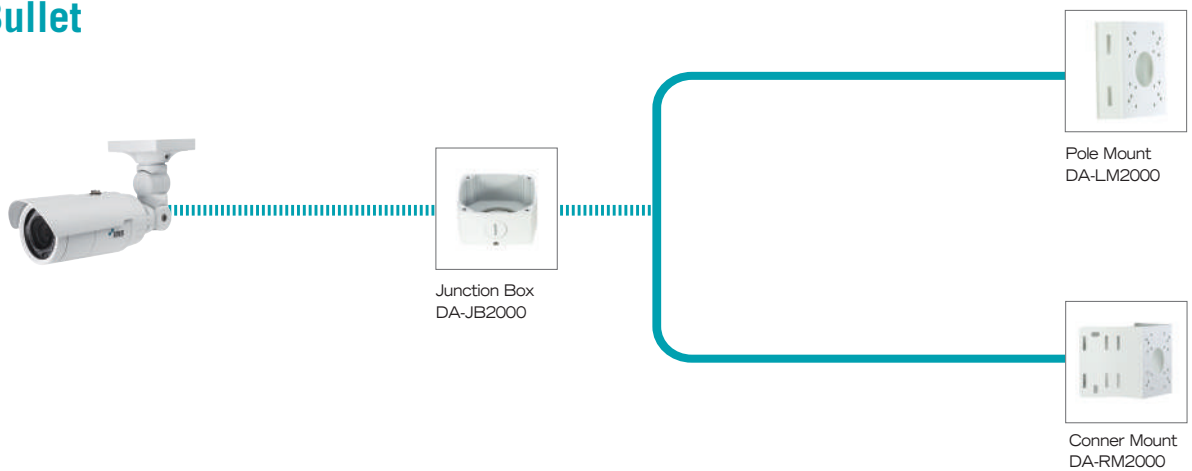
CAMERA MOUNT CONFIGURATION TREE



PTZ



Bullet



WHAT IDIS DELIVERS:

Complete high-definition (Full HD) and real-time surveillance.

- Easy installation and secure networking through our dedicated DirectIP™ devices.
- Crystal clear Full HD images, without any frame-loss, for live monitoring and recording.
- Compatibility with legacy security systems, external devices and third party protocols.
- One stop shop solution delivering rich connectivity.
- Affordability without license or annual maintenance fees.

COMMERCIAL BUILDINGS

EDUCATION

BANKING & FINANCE

MANUFACTURING

HEALTHCARE

TRANSPORTATION

RETAIL





Commercial Building Solutions

OFFICE BUILDINGS

IDIS DirectIP™ surveillance solutions secure people, property and assets to provide a safer office environment.



DirectIP™ solutions reduce risk and lower overall installation cost by leveraging existing IT network infrastructures and allowing businesses to migrate away from legacy and disparate security systems. IDIS next generation surveillance increases operational efficiency and lowers the total cost of ownership through end-to-end solutions.

Integrated surveillance centre

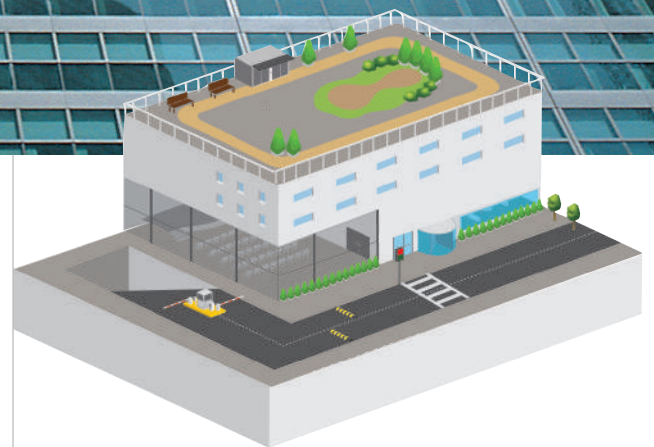
Through a closely integrated structure, comprising of cameras, sensors and alarms DirectIP™ surveillance enables a consolidated view of every event and incident to streamline security operations.

Clear vision even in challenging light

In high-risk areas such as basement car parks, the outstanding low-light functionality and image quality of cameras combined with in-built audio features make DirectIP™ the perfect safeguard against car theft, breakins and other incidents.

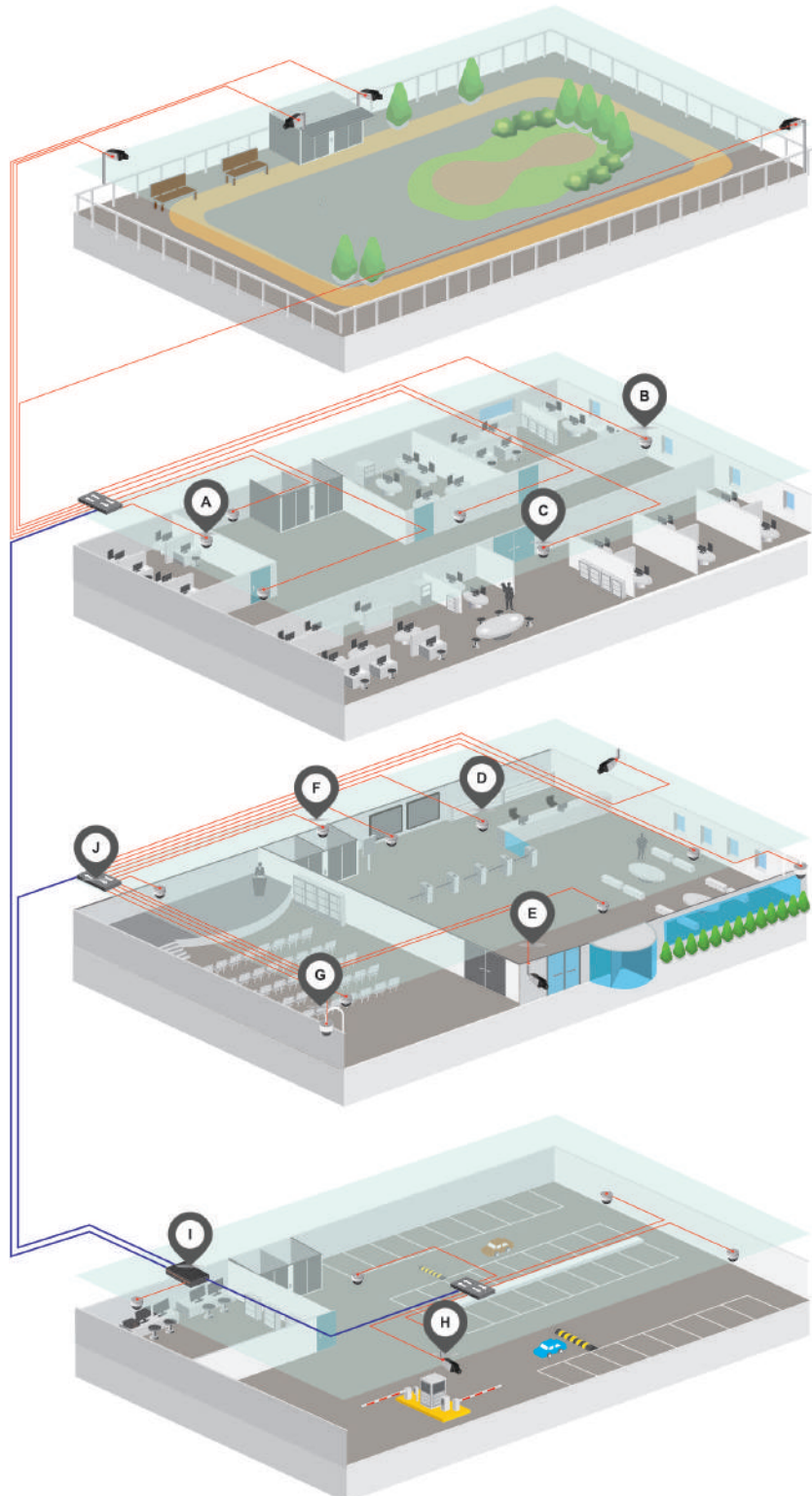
Protecting high value assets and data

Integrating with alarm systems such as intruder or fire, DirectIP™ solutions ensure your property and assets are safe in any event. Irrespective of the complexities of your building, real-time streaming linked directly to the control room ensures a rapid response to incidents.



Camera Feature

-  **IP66** Weather Resistant
-  **WDR** Wide Dynamic Range
-  **TDN** True Day/Night
-  **VP** Vandal Proof
-  **IR** IR Illumination



A Valuable asset protection



DC-D2233WR

- Integrates with alarm devices
- Reduces risk of crime

B Corridor observation



DC-D2233

DC-B1203

- Provides a clear image view
- Tracks suspicious behaviour and monitors incidents

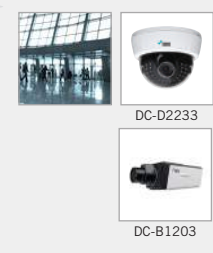
C Supervision of restricted areas



DC-D2233R

- Identifies unauthorised people circulating in restricted areas
- Monitors behaviour of authorised staff

D Public safety with Intrusion detection



DC-D2233

DC-B1203

- Protects staff and visitors from potential violent attacks
- Identifies unauthorised people

E Entrance observation



DC-D1233WX

DC-B1203X

- Monitors daily visitors and staff
- Identifies suspicious people

F Elevator monitoring



DC-F1211

- Identifies suspicious behaviour within an enclosed space
- Monitors accidents

G External security

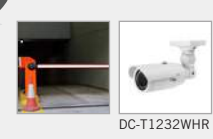


DC-S1263WH

DC-T1232WR

- Safeguards property and ensures personal safety

H Vehicle identification



DC-T1232WH

- Provides real-time clear view for tracking fast movement and vehicle license plates
- Detects crimes such as hit-and-run accidents and car break-ins

I Video security centre



DR-6132P

- Detects, identifies and investigates suspicious individuals or objects throughout the building
- Ensures robust video recording
- Provides event notification to mobile devices
- Allows remote accessibility and data backup

J Easy cable connection



DH-2112PF

DH-2128PF

- DirectIP™ PoE switch to power DirectIP™ cameras
- Flexible tree topology that can be shared with multiple DirectIP™ NVRs and DirectIP™ cameras
- DirectIP™ switch/port mapping for easy management
- SFP ready for long distance/high speed connection

UNIVERSITIES

Through centralised control and increased situational awareness, DirectIP™ improves campus safety for students, staff and property.

With violence and theft often a harsh reality of large, and often aging and complex campuses, DirectIP™ solutions provide centralised monitoring enabling instant verification and a rapid response to events. Improved situational awareness combined with DirectIP™ flexible and scalable HD surveillance increases security while driving improvements in operational efficiencies.

Intelligent observation

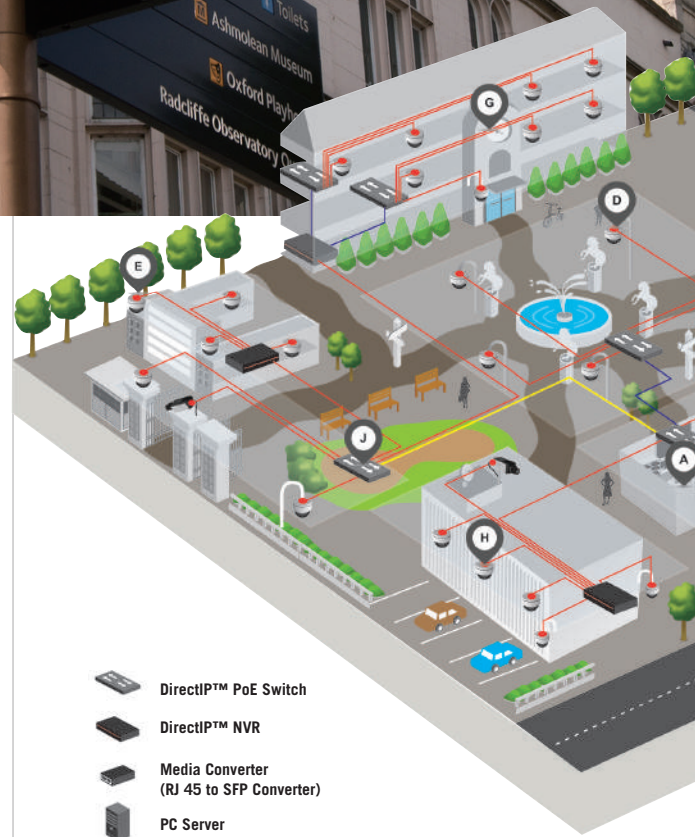
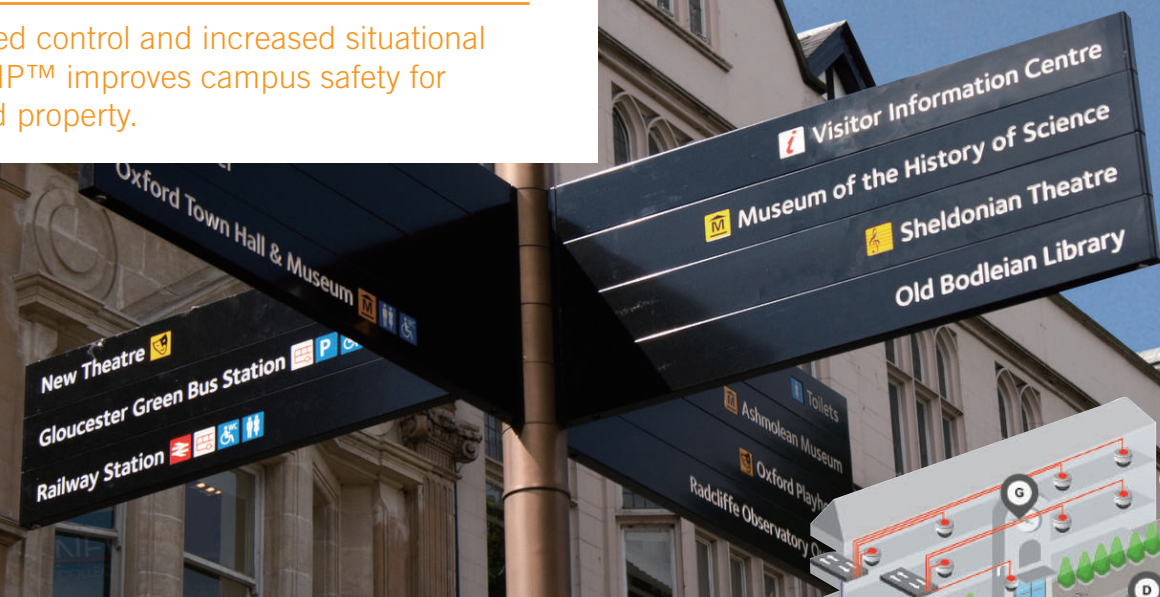
Centralised monitoring across campus facilities provides operators with at a glance verification of incidents and management of multiple cameras through real-time floor plans and intelligent mapping features. DirectIP™ solutions support remote access and management providing a flexible operational approach for operators and manned guarding teams.

Video conferencing and lectures

Two-way audio and real-time streaming of video provides advanced educational video conferencing enabling remote lectures. Once recorded, lectures are easily managed and downloaded from cloud services to provide a flexible learning experience.

Increased protection of students, staff and assets

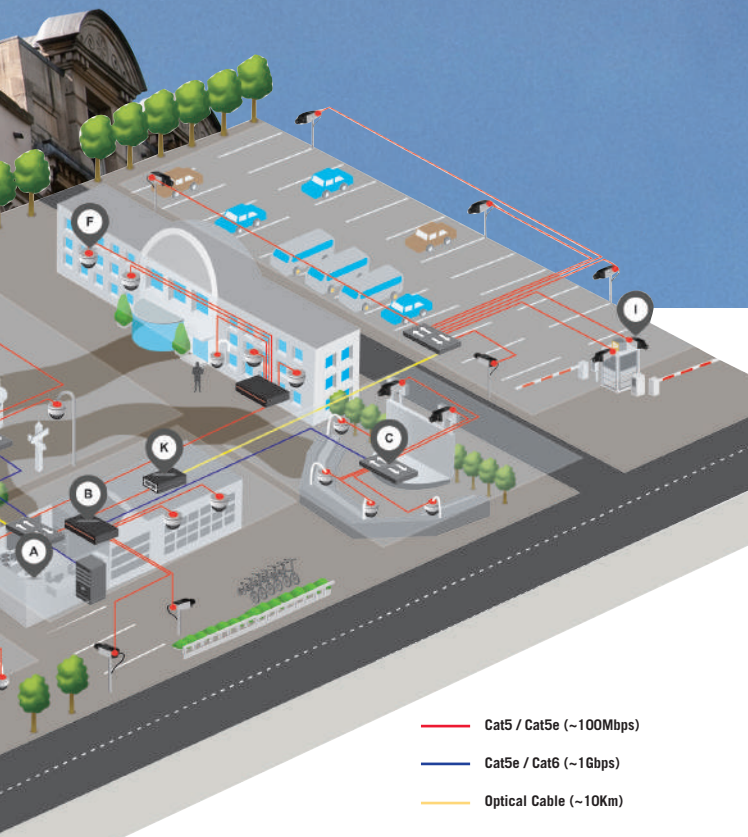
Virtual guard tours supplement manned guarding and free up security staff for other duties. Combined with DirectIP™ event alarm management, operators can initiate a prompt response to emergencies and incidents.



A Integrated surveillance solution



- Controls and manages multiple NVR systems
- Monitors all buildings and external campus areas from a single location
- Supports customised modules such as video wall, streaming services, back-up, failover services and video analytics (IDIS Solution Suite Expert only)
- Leverages existing infrastructure



— Cat5 / Cat5e (~100Mbps)
 — Cat5e / Cat6 (~1Gbps)
 — Optical Cable (~10Km)

B High quality video recording



- Coordinates emergency response
- Provides real-time HD image recording and monitoring
- Offers both time-lapse and event recording
- Gathers evidence DR-6132P to minimise fraud

C External public safety



- Reduces property damage
- Monitors acts of vandalism or graffiti
- Allows instantaneous reaction to incidents

DC-S1263
DC-T1232WR

D Safeguard walkways



- Identifies incidents and suspects
- Monitors pedestrian flow



DC-T1232WR

E Valuable asset protection



- Prevents violence and theft
- Offers behavioural recognition technology

DC-T1234WR

F Safe and peaceful classrooms



- Protects students and staff from potential violent attacks
- Integrates with alarm devices
- Features a built-in audio interface terminal

DC-D2233W

G Indoor public safety



- Identifies suspicious objects
- Prevents or deters crime and public disorder

DC-D1212

H Reduce goods shrinkage



- Identifies shoplifters and suspicious activity
- Detects removal or loss of items at cafeteria

DC-D1212R



DC-B1203

I Vehicle identification



- Provides real-time clear viewing for tracking fast movement and vehicle license plates
- Detects crimes such as hit-and-run accidents and car break-ins

DC-T1233WHR

J Easy cable connection



DH-2112PF
DH-2128PF

- DirectIP™ PoE switch to power DirectIP™ cameras
- Flexible tree topology that can be shared with multiple DirectIP™ NVRs and DirectIP™ cameras
- DirectIP™ switch/port mapping for easy management
- SFP ready for long distance/high speed connection

K Long distance video communication



- Allows video communication of up to 10Km using optical cable
- Uses DirectIP™ PoE switch with SFP module or RJ45 to SFP converter

BANKS

IDIS DirectIP™ solutions improve protection against threats such as violence and robbery through cutting-edge functionality and tailored features.



As a deterrent to fraud, theft and violence, IDIS utilises its DirectIP™ network infrastructure to improve real-time situational awareness and response times to provide a safer and more secure environment for staff and customers.

ATM integration

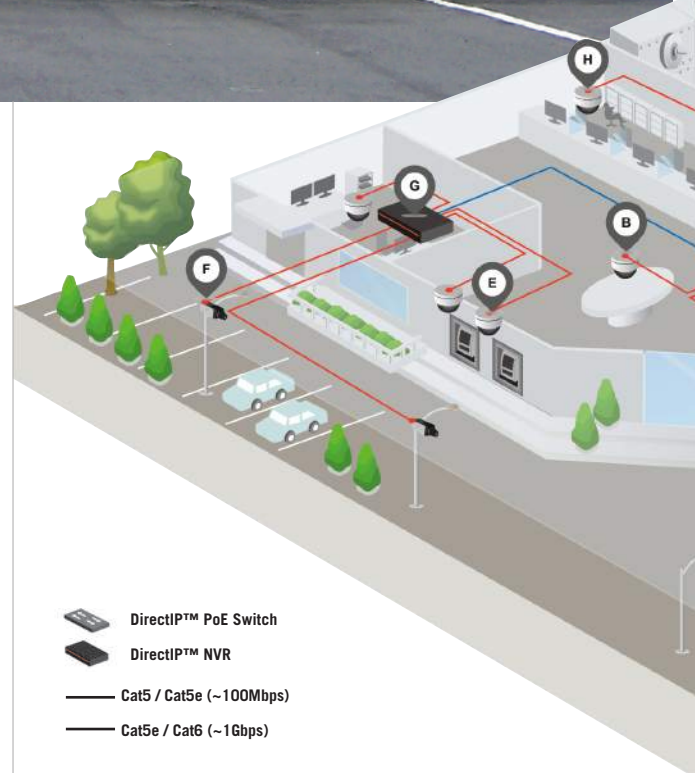
Integrated with ATM facilities, DirectIP™ NVRs record transaction data combined with a clear image of users. This ensures the secure operation of ATMs to validate cards and guarantee their sole use by registered cardholders.

Concrete evidence

Whether inside or outside, crime usually occurs within a very short timeframe. DirectIP™ cameras capture every single moment of activity providing instant verification and immediate response by delivering a clear, accurate and time-stamped record of events.

Centralised monitoring

With centralised control environments and a range of unique and tailored features, DirectIP™ management software enables a rapid and decisive response to incidents across entire branch networks and facilities.



IDIS Solution Suite

Headquarters or central control room can monitor all branches using IDIS Solution Suite.

A Valuable asset protection



- Integrates with alarm devices
- Offers behavioural recognition technology

B Persons safety



- Provides a clear, wide image view
- Assists crime investigation

C Vehicle identification



- Provides real-time clear view enabling tracking of even fast moving objects and vehicle license plates
- Features a built-in audio output interface terminal

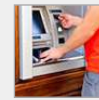
D Entrance observation



- Identifies potential suspects
- Provides a clear, wide image view



E ATM integration



- Records transaction data with clear user images
- Monitors for multiple threats including fraud, theft and physical attacks

F External security



- Safeguards property and ensures personal safety



G Video surveillance



- Controls and manages all internal and external areas of the premises
- Ensures robust and quality video recording
- Tracks object movement with appropriate alerts
- Enables remote accessibility

H Authorised transaction



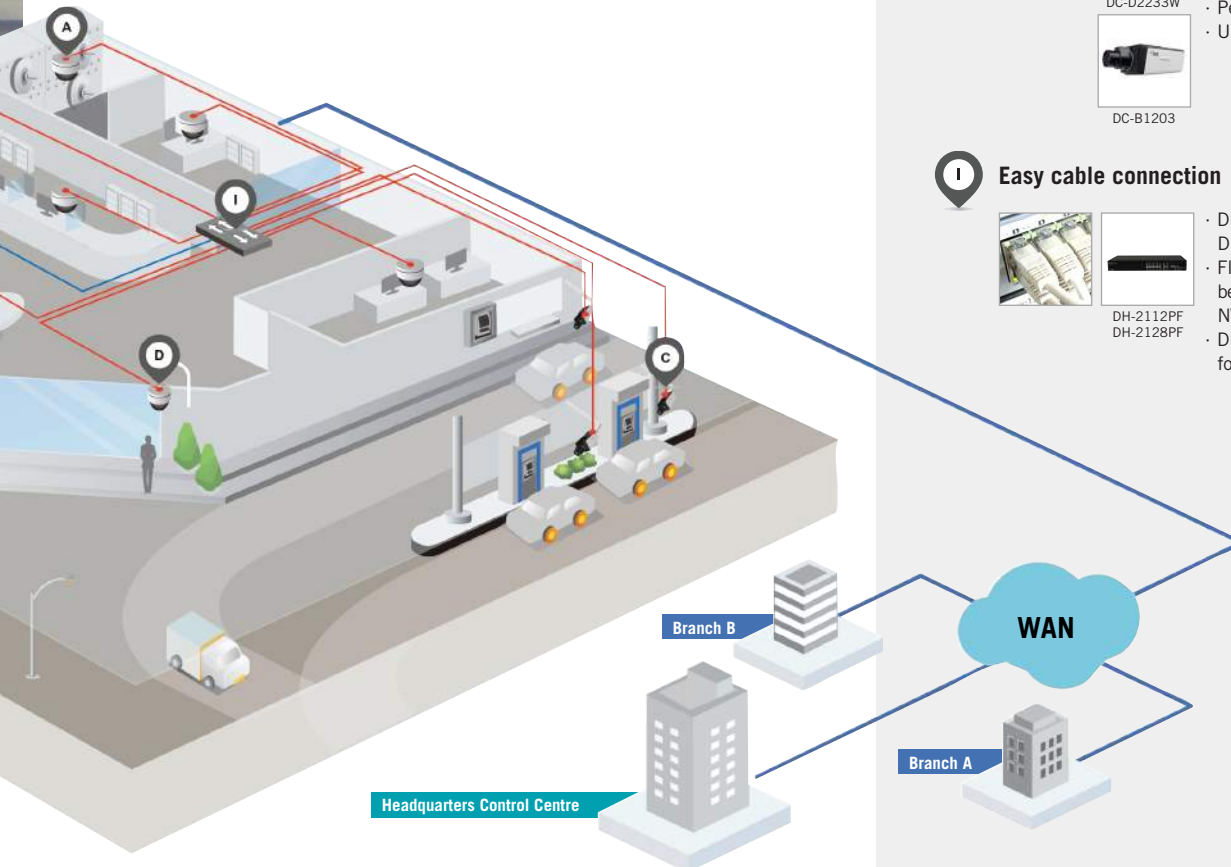
- Provides audio integration without extra cabling
- Performs facial identification
- Undertakes fraud checks



I Easy cable connection



- DirectIP™ PoE switch to power DirectIP™ cameras
- Flexible tree topology that can be shared with multiple DirectIP™ NVRs and DirectIP™ cameras
- DirectIP™ switch/port mapping for easy management



MANUFACTURING PLANTS

The perfect surveillance solution for regulated and hazardous industrial facilities.



With stringent regulation outlining compliance, health and safety as well as security challenges, DirectIP™ provides manufacturing facilities a centralised security operation with an accurate record of events. The capability for a rapid and decisive response to incidents drives operational efficiencies across health and safety, security and quality control departments.

Intelligent observation

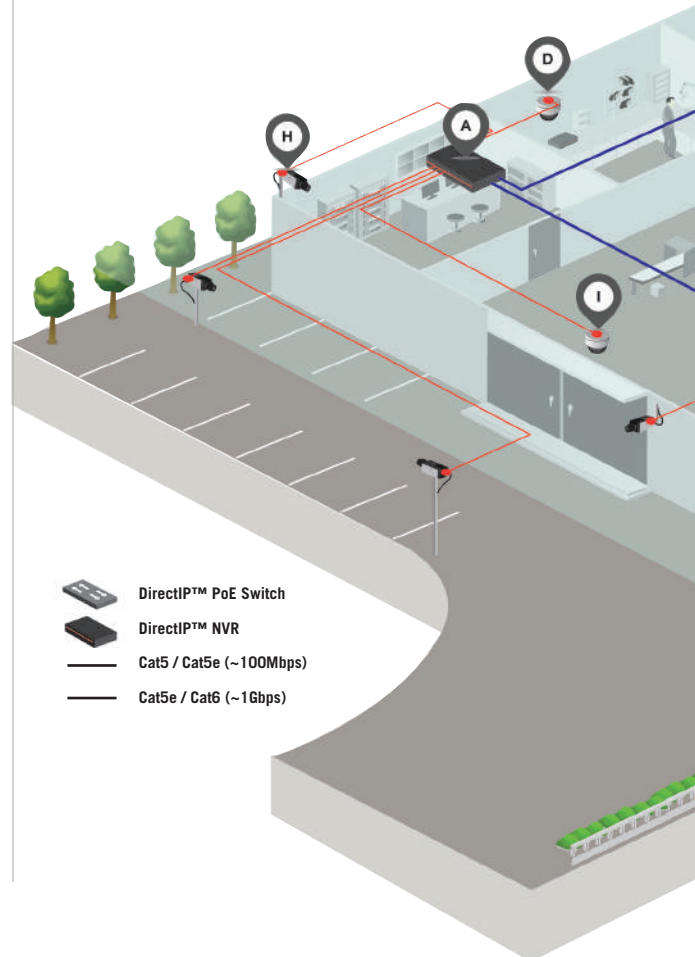
At-a-glance verification enables a single operator to check incoming materials, shipments or stock levels and even perform quality assurance procedures.

Automatic alerts and emergency stopping

In hazardous environments, alarm management and integration with third party systems allows centralised control of the entire facility including production lines to improve the health and safety of workers.

Third party scalability

Built on a platform with compatibility in mind, DirectIP™ solutions integrate with third party systems such as access control and intruder detection to provide scalability and a futureproof investment that drives down overall cost for the lifecycle of the entire security operation.



A Video security centre



- Detects, identifies and investigates suspicious individuals or objects throughout the building
- Ensures high-quality and robust video recording
- Features event notification to mobile devices
- Enables remote accessibility

B Monitor production line



- Detects and responds to incidents quickly
- Identifies unusual activities on the production line
- Ensures the safety of staff

C Stock observation



- Detects removal or loss of items
- Identifies suspicious behaviour
- Tracks item movement

D Improving quality control



- Monitors and analyses the quality assurance process

E Warehouse observation



- Prevents vandalism and theft
- Facilitates best-practice stock management procedures

F Loading dock observation



- Monitors the loading and unloading of goods

G Supervision of restricted areas



- Identifies unauthorised personnel entering restricted areas
- Monitors behaviour of authorised people

H External security



- Enhances factory perimeter protection
- Helps identify and investigate incidents
- Identifies suspicious vehicles or objects

I Public safety

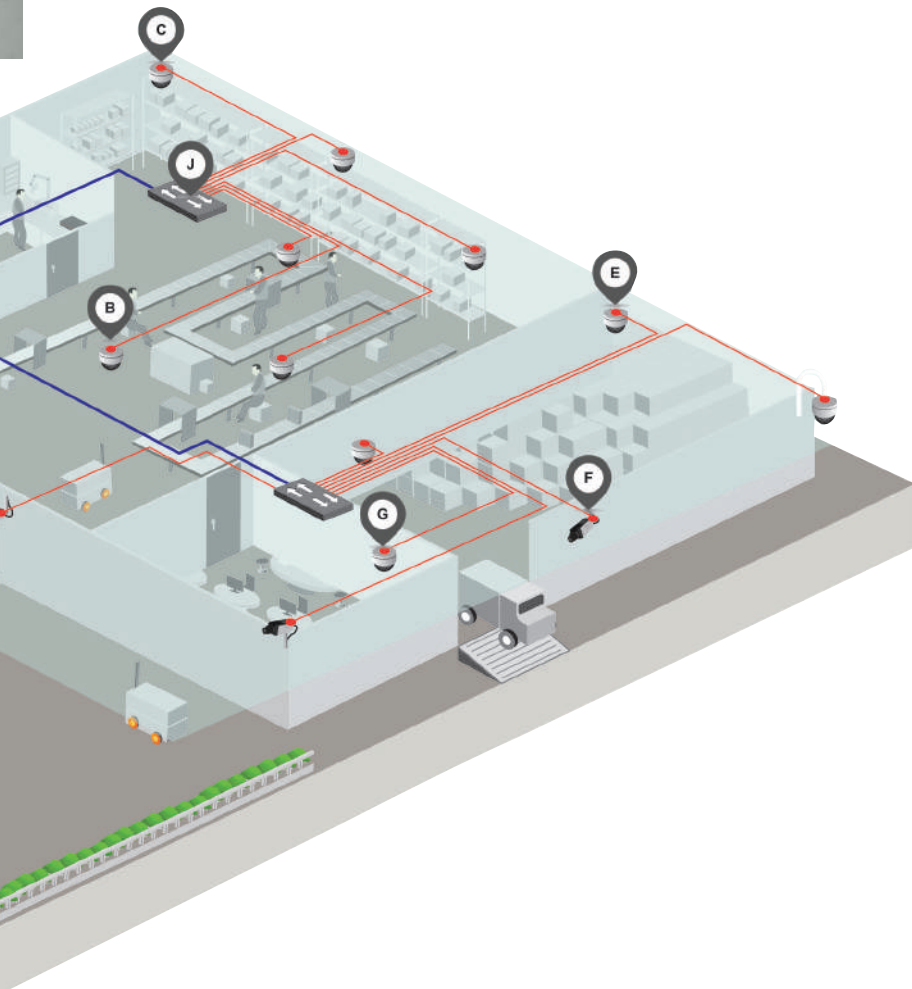


- Provides wide and clear image view of open areas
- Identifies accidents and potential risks

J Easy cable connection



- DirectIP™ PoE switch to power DirectIP™ cameras
- Flexible tree topology that can be shared with multiple DirectIP™ NVRs and DirectIP™ cameras
- DirectIP™ switch/port mapping for easy management
- SFP ready for long distance/high speed connection



HOSPITALS

IDIS DirectIP™ solutions increase protection, reduce risk and provide peace-of mind for staff and patients.



With increasing concerns for employee and patient safety combined with complex environments and stringent regulatory compliance, the security challenges facing hospitals are significant. DirectIP™ solutions deliver real-time awareness of staff, patients, visitors and high-value assets enabling a rapid response to incidents before an emergency arises and as a result, improves patient satisfaction and drives down operational cost.

Effective emergency room monitoring

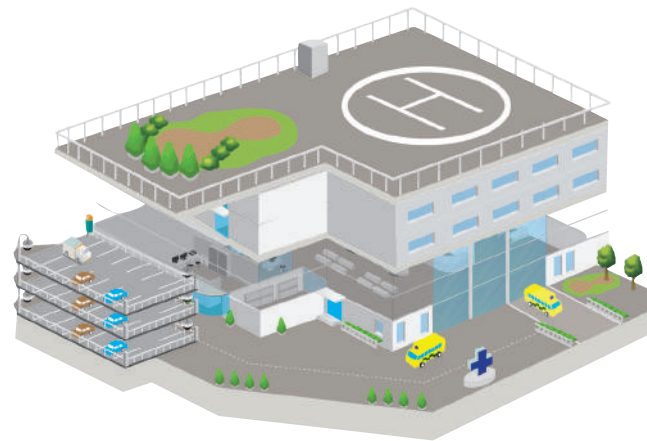
High-definition networked surveillance cameras can be leveraged to support patient care while real-time monitoring notifies staff instantly when a patient requires urgent assistance.

High-definition surveillance

DirectIP™ surveillance cameras provide crystal-clear images allowing operators to monitor and track patient and visitor movement across the entire hospital, thus preventing unauthorised access to restricted areas while supporting fast detection and investigation of crime.

Enhanced surgical environment

Stable and high-resolution DirectIP™ cameras capture footage to provide a repository of surgical video for training and education purposes as well as post-operative care. While an accurate and time stamped record of events safeguards against potentially fraudulent insurance claims.



A External Security



- Safeguards the hospital's property and ensures personal safety



DC-S1263WH
DC-T1232WR

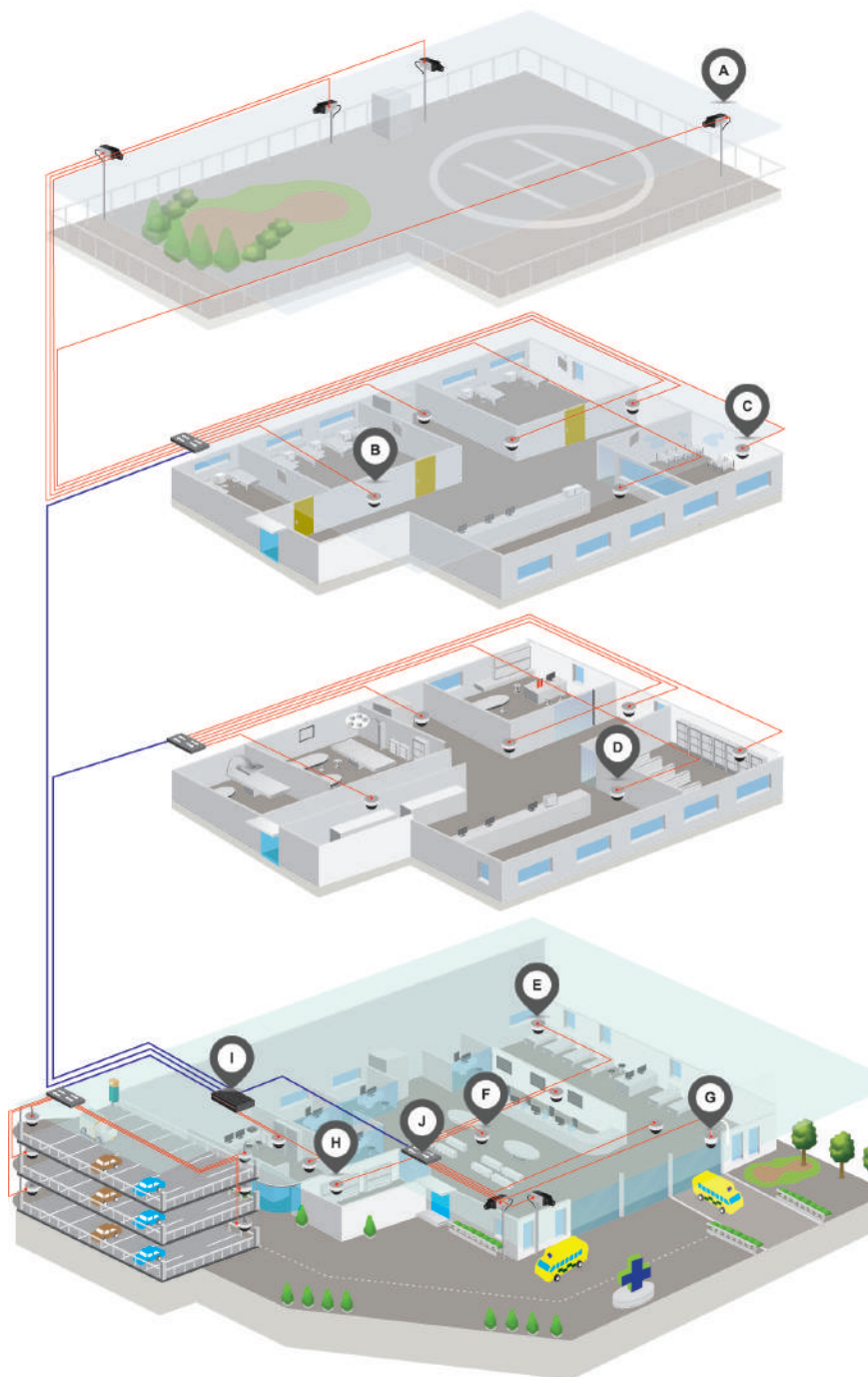
B Corridor observation







- Providing a clear image view
- Tracking suspicious behaviour and monitoring incidents



DC-D2233
DC-B1203



-  DirectIP™ PoE Switch
-  DirectIP™ NVR
-  Cat5 / Cat5e (~100Mbps)
-  Cat5e / Cat6 (~1Gbps)

C Child protection



DC-D2233WR



- Provides peace-of-mind and protection from potential personal threats
- Offering an accurate time stamped record and events

D Corridor observation



DC-D2233



- Protects staff from potential violent attacks
- Monitors both audio and video
- Integrates with alarm devices



DC-B1203

E Emergency recognition



DC-D2233R



- Monitors "at risk" patients
- Prevents and restricts unauthorised access

F Emergency recognition



DC-D2233R



- Provides wide and clear image view of open areas
- Identifies accidents and potential risks

G Entrance observation



DC-S1263W(H)



- Controls pedestrian traffic flow in busy areas
- Allows instantaneous reaction to incidents



DC-B1203X

H Supervision of controlled areas



DC-T1234WR



- Prevents potential theft such as prescription drugs
- Monitors personnel responsible for drugs

I Video security centre



DR-6116P
DR-6132P

- Controls and manages all internal and external areas of a hospital
- Ensures high quality and robust video recording
- Reports security alerts and hazards and protects against false accident claims
- Features event notification to mobile devices

J Easy cable connection



DH-2112PF
DH-2128PF

- DirectIP™ PoE switch to power DirectIP™ cameras
- Flexible tree topology that can be shared with multiple DirectIP™ NVRs and DirectIP™ cameras
- DirectIP™ switch/port mapping for easy management
- SFP ready for long distance/high speed connection

AIRPORTS

DirectIP™ solutions provide intelligent surveillance to increase security and improve traffic analysis throughout an airport.



Ensuring the safety of travellers and staff in a busy airport environment is a challenge for security professionals across the globe. DirectIP™ solutions increase security and safety by providing operational efficiencies across passenger checkpoints, terminal areas, duty free shops, baggage screening and parking facilities as well as external areas such as aircraft facilities and operational perimeters.

Intelligent surveillance

Throughout an airport there are many high-risk zones exposed to theft and malicious activity. The DirectIP™ NVR's built in panic recording system ensures operators can real time capture suspicious behaviour and respond before an event turns into a full-blown emergency.





Improved traffic flow

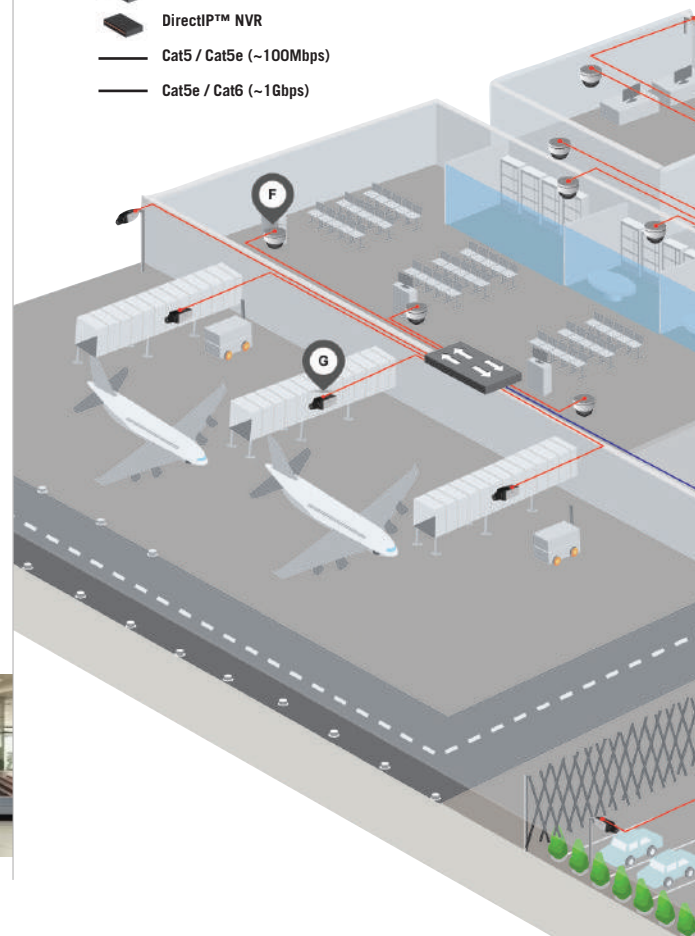
By analysing high-resolution video footage, DirectIP™ greatly assists with managing passenger flow through busy airports and potential bottlenecks such as check-in.

Hangar observation

DirectIP™ megapixel cameras catch even the tiniest of movements ensuring hangars and other restricted areas are protected against the risk of intrusion from unauthorised personnel.



-  DirectIP™ PoE Switch
-  DirectIP™ NVR
-  Cat5 / Cat5e (~100Mbps)
-  Cat5e / Cat6 (~16bps)



A Video security centre



DR-6132P

- Detects, identifies and investigates suspicious individuals or objects throughout the building
- Ensures high-quality and robust video recording
- Features event notification to mobile devices
- Provides compatibility with POS and EAS
- Monitors daily business

B Check-in line monitoring



DC-D2233W



- Detects suspicious passengers, baggage or objects
- Offers facial identification technology

C Optimise travel capacity



DC-S1263WH



- Helps investigate lost or missing passengers
- Supports understanding of passenger flow patterns and hotspots
- Improves staff productivity



DC-D2233W

D Identifying lost or stolen luggage



DC-D2233



- Monitors passenger baggage
- Helps investigate lost or stolen luggage



DC-Z1263

E Loss prevention



DC-D2233WR



- Prevents retail theft

F Public safety



DC-D2233



- Analyses suspicious behaviour
- Prevents terrorism



DC-B1203

G Loading dock observation



DC-D2233WHR



- Monitors the loading and unloading of goods



DC-T1233WHR

H External security



DC-S1263WH



- Enhances airport perimeter protection
- Helps identify and investigate incidents



DC-D2233W

I Supervision of restricted area



DC-T1233WHR



- Helps identify unauthorised people circulating in restricted areas
- Monitors authorised staff activities in restricted areas

J Vehicle identification



DC-D2233W(H)R



- Provides real-time high resolution images for tracking fast moving objects and vehicle number plates.
- Features a built-in audio output interface terminal



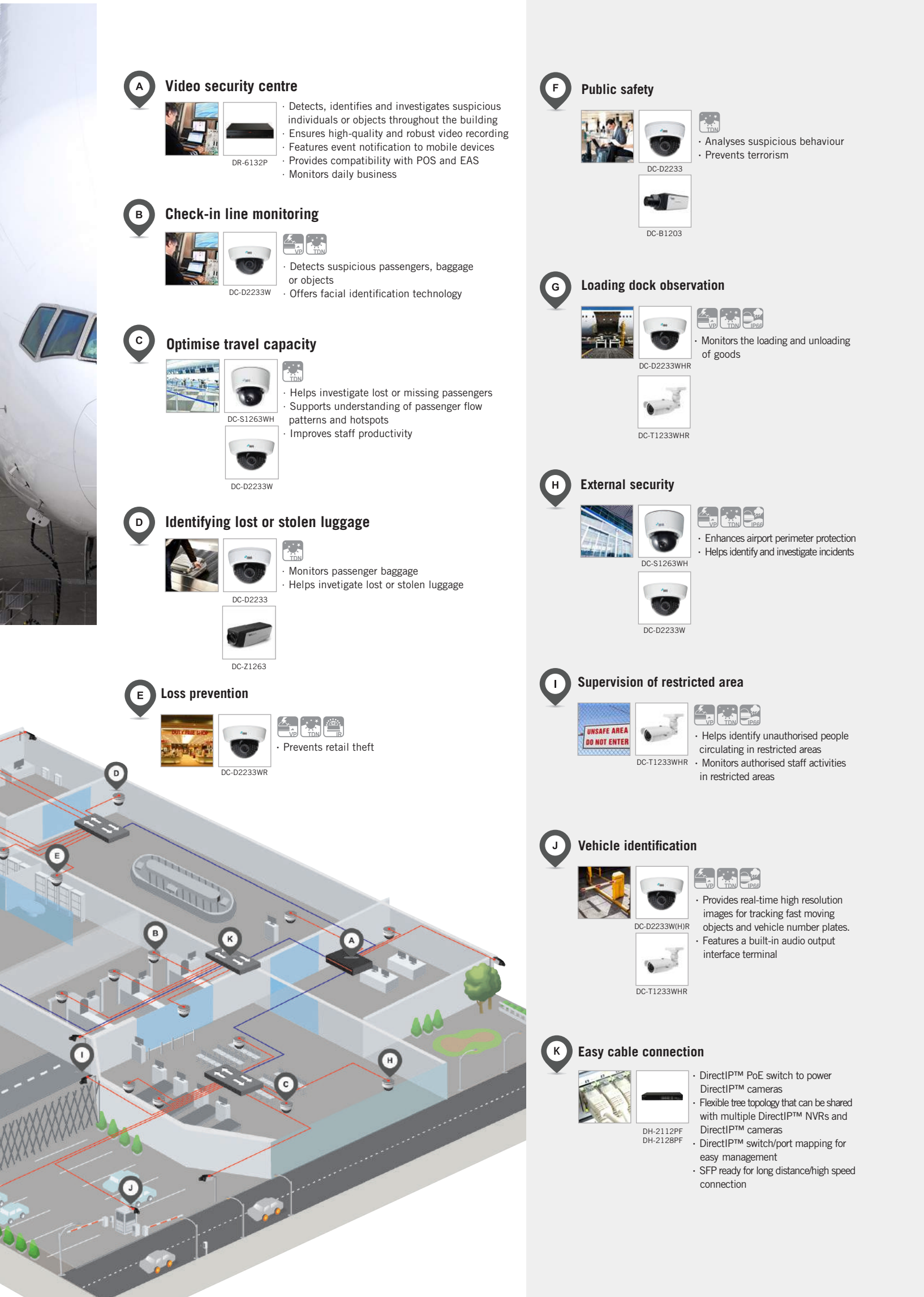
DC-T1233WHR

K Easy cable connection



DH-2112PF
DH-2128PF

- DirectIP™ PoE switch to power DirectIP™ cameras
- Flexible tree topology that can be shared with multiple DirectIP™ NVRs and DirectIP™ cameras
- DirectIP™ switch/port mapping for easy management
- SFP ready for long distance/high speed connection



SUPERMARKETS

IDIS DirectIP™ network surveillance provides affordable solutions that reduce risk and shrinkage within busy retail environments.



With the combined threat of the global economic downturn, shrinkage has never been a bigger concern for loss prevention and security professionals. Using HD resolution cameras, DirectIP™ proactively increases security by reducing shrinkage.

Loss prevention

Real-time live viewing and recording via high-definition cameras is perfect for preventing and detecting shoplifting as well as internal shrinkage in a busy retail environment. DirectIP™ technology supports the role of store detectives and security operatives by enabling a rapid response to even the smallest movement suggesting suspicious behaviour.

POS integration

DirectIP™ NVRs integrate with point of sale devices to gather scanned, printed or recorded data to improve general transaction management and obtain proof of purchase in instances of crime. At the same time, by analysing customer behaviour marketing departments can optimise promotional efforts.

Customer safety and comfort

Through its advanced alarm management, DirectIP™ solutions allows customers to shop safe in the knowledge that help is at hand should they need urgent assistance.



A Video security centre



DR-4116P
DR-4132P

- Detects, identifies and investigates suspicious individuals or objects throughout the building
- Ensures high-quality and robust video recording
- Features event notification with mobile devices
- Provides compatibility with POS and EAS
- Monitors daily business

B Monitor checkout service



DC-2233R



- Verifies proper checkout procedures are observed
- Determines suspicious transactions

C Reduce goods shrinkage



DC-2233R



- Identifies shoplifters and suspicious activity
- Detects removal or loss of items



DC-T1232WR

D Customer experience



DC-2233R



- Verification and investigation of customer incidents quickly and efficiently
- Safeguards property and ensures personal safety



DC-T1232WR



E Improve marketing performance



- Supports analysis of customer numbers and flow
- Improves product display strategy
- Improves staff productivity

F Protect high risk assets



- Prevents theft of drugs and high value stock
- Integrates with alarm devices

G Stock observation



- Monitors staff behaviour
- Facilitates best-practice stock management procedures
- Identifies unauthorised personnel entering restricted areas

H External security



- Safeguards property and ensures personal safety



DC-T1233WHR

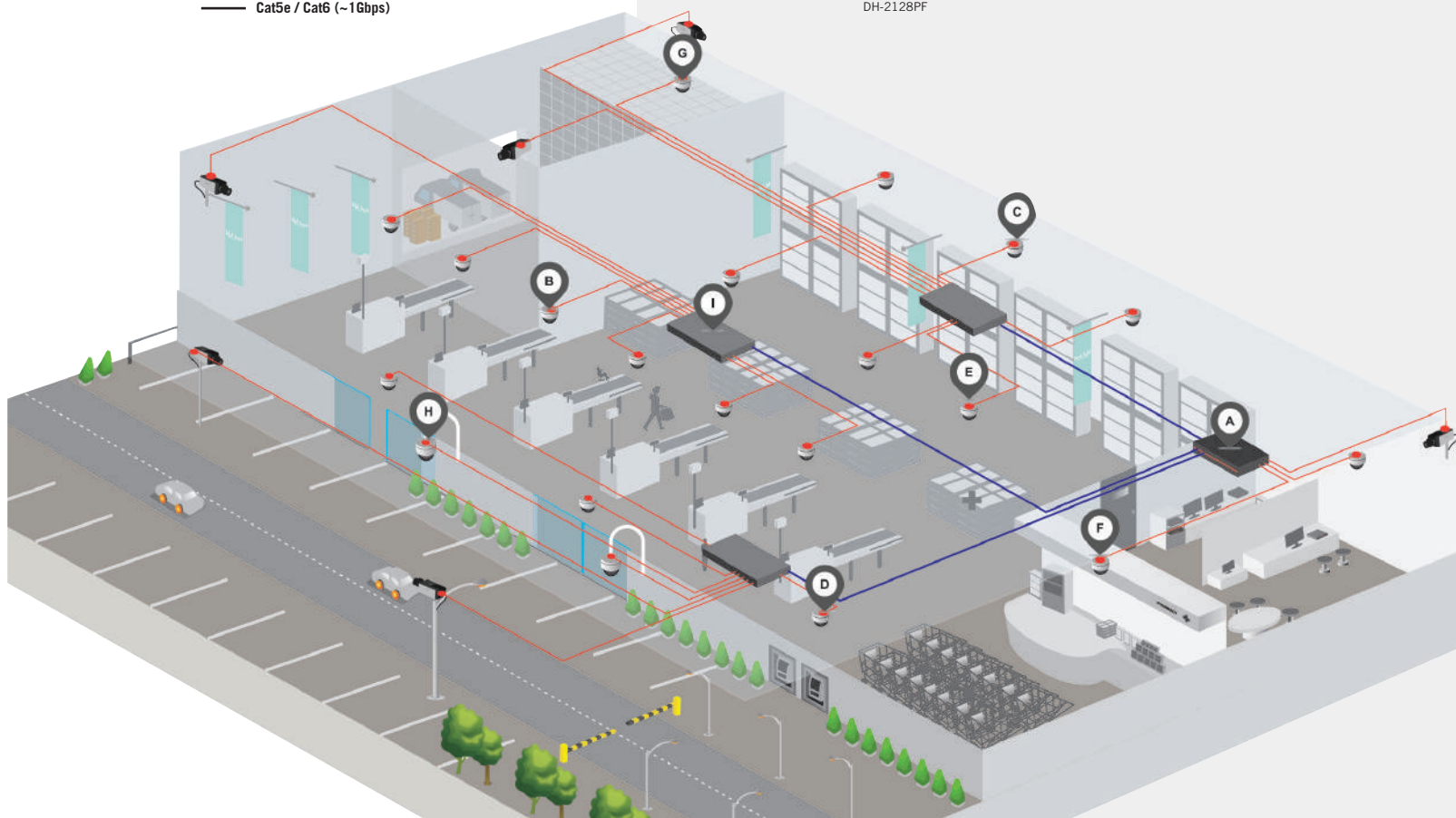
I Easy cable connection



DH-2112PF
DH-2128PF

- DirectIP™ PoE switch to power DirectIP™ cameras
- Flexible tree topology that can be shared with multiple DirectIP™ NVRs and DirectIP™ cameras
- DirectIP™ switch/port mapping for easy management
- SFP ready for long distance/high speed connection

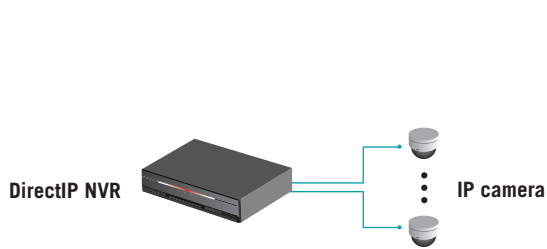
- DirectIP™ PoE Switch
- DirectIP™ NVR
- Cat5 / Cat5e (~100Mbps)
- Cat5e / Cat6 (~1Gbps)



APPLICATIONS

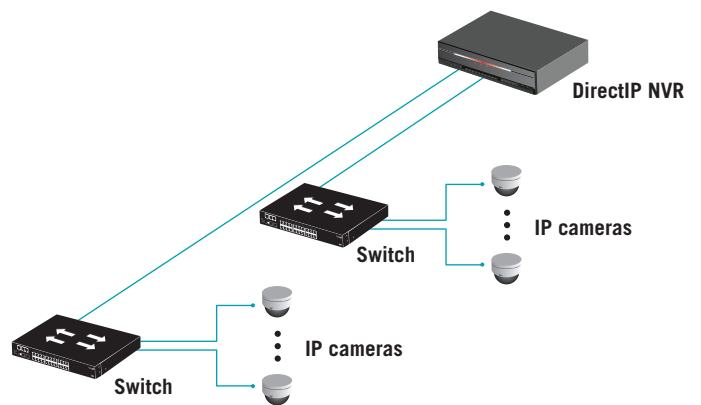
Small business installation

- Easy to install
- HD surveillance
- Affordable video solution



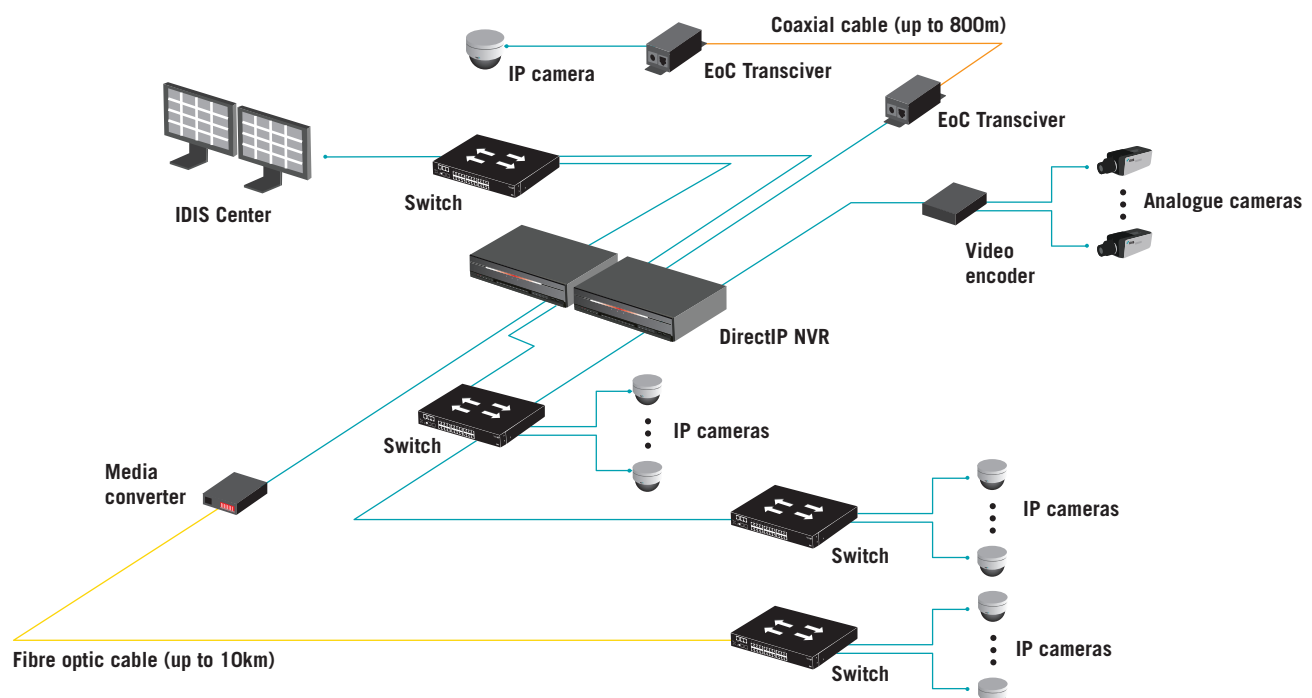
Medium business installation

- High performance
- Scalability with DirectIP™ Gigabit PoE Switch
- Cost effective
- One-stop-shop solution

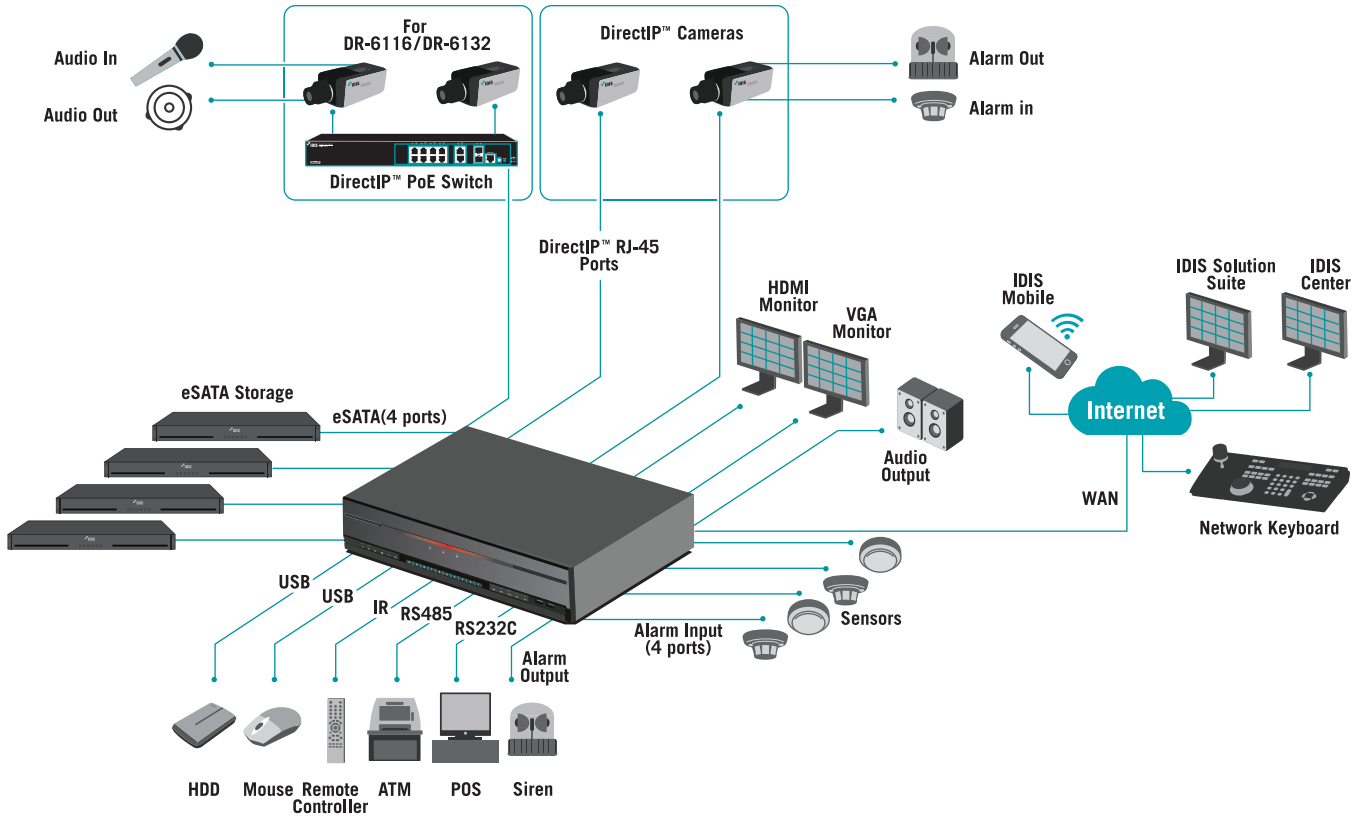


Large enterprise installation

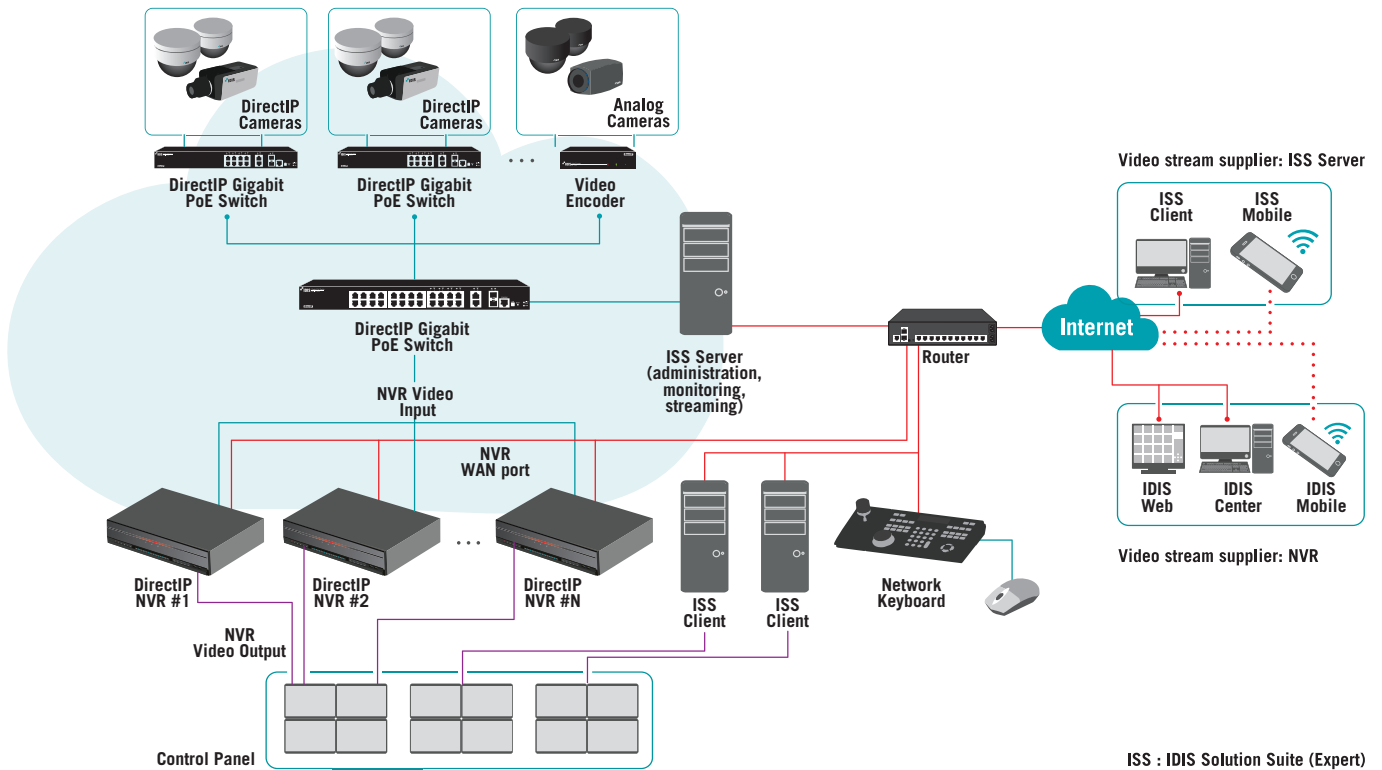
- Scalability with rich connectivity
- Flexibility enabling legacy and third party system integration
- Simple integration with IDIS Center



DR-6100 series NVR connection diagram



Control centre installation



ISS : IDIS Solution Suite (Expert)



IDIS Co., Ltd.

IDIS Tower, 344 Pangyo-ro
Bundang-gu, Seongnam-si
Gyeonggi-do
Republic of Korea, 463-400

T +82 (0)31 723 5400
F +82 (0)31 723 5100
E sales@idisglobal.com

IDIS Europe Limited

1000 Great West Road
Brentford, London, TW8 9HH
United Kingdom

T +44 (0)203 657 5678
F +44 (0)203 697 9360
E uksales@idisglobal.com

IDIS Benelux BV

De Slof 9
5107 RH
Dongen
The Netherlands

T +31 (0)162 387247
F +31 (0)162 311915
E sales@bnl.idisglobal.com

For more information, please visit
www.idisglobal.com

IDIS_1406_V3.4